

US010667398B1

(12) **United States Patent**  
**Petrick et al.**

(10) **Patent No.:** **US 10,667,398 B1**  
(45) **Date of Patent:** **May 26, 2020**

(54) **DUAL DYNAMIC RANDOM (DDR) ACCESS MEMORY INTERFACE DESIGN FOR AEROSPACE PRINTED CIRCUIT BOARDS**

(58) **Field of Classification Search**  
CPC ..... H05K 1/0298  
See application file for complete search history.

(71) Applicant: **United States of America as represented by the Administrator of NASA, Washington, DC (US)**

(56) **References Cited**

(72) Inventors: **David J. Petrick**, Severna Park, MD (US); **Alessandro D. Geist**, Bethesda, MD (US); **Thomas P. Flatley**, Huntington, MD (US)

U.S. PATENT DOCUMENTS

4,368,503 A \* 1/1983 Kurosawa ..... H05K 3/429  
174/263  
4,649,461 A \* 3/1987 Matsuta ..... H05K 3/4641  
174/51  
5,136,471 A \* 8/1992 Inasaka ..... H01L 23/5385  
174/255  
5,303,119 A \* 4/1994 Hilbrink ..... H01L 23/5383  
174/255

(73) Assignee: **United States of America as represented by the Administrator of NASA, Washington, DC (US)**

(Continued)

(\* ) Notice: Subject to any disclaimer, the term of this patent is extended or adjusted under 35 U.S.C. 154(b) by 0 days.

*Primary Examiner* — Adrian S Wilson

(74) *Attorney, Agent, or Firm* — Heather Goo; Bryan A. Geurts

(21) Appl. No.: **16/142,183**

(57) **ABSTRACT**

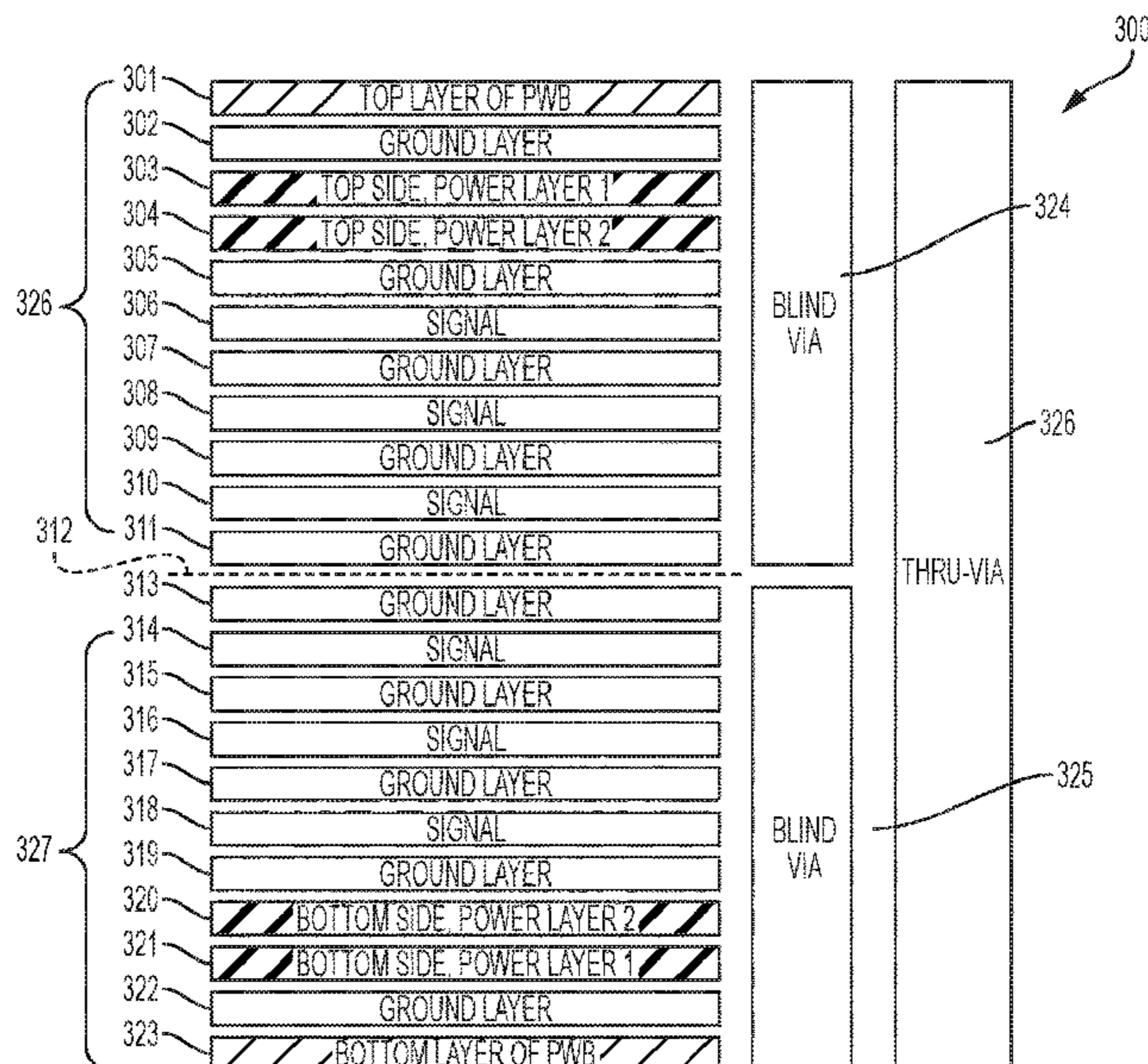
(22) Filed: **Sep. 26, 2018**

The present invention relates to a single board computer system with an improved memory and layout. The unique layout of the printed circuit board of the present invention allows for different parts to be placed in a back-to-back configuration to minimize the dimensions of the printed circuit board. This includes a high-performance radiation-hardened reconfigurable FPGA, for processing computation-intensive space systems, disposed on both sides of the printed circuit board. Four dual double data rate synchronous dynamic random-access memories (DDR2 SDRAMs) disposed on both the top side and on the bottom side of the printed circuit board reduce an operating voltage of said printed circuit board. A layout stack-up of the printed circuit board includes twenty-two symmetrical layers including ten ground layers, four power layers, six signal layers, a top layer, and a bottom layer.

(51) **Int. Cl.**  
**H05K 1/02** (2006.01)  
**H05K 1/18** (2006.01)  
**H03K 19/003** (2006.01)  
**H05K 1/11** (2006.01)  
**G06F 11/07** (2006.01)

(52) **U.S. Cl.**  
CPC ..... **H05K 1/181** (2013.01); **H03K 19/0033** (2013.01); **H05K 1/0298** (2013.01); **H05K 1/115** (2013.01); **G06F 11/0727** (2013.01); **G06F 11/0793** (2013.01); **H05K 1/0203** (2013.01); **H05K 2201/093** (2013.01); **H05K 2201/09327** (2013.01); **H05K 2201/09509** (2013.01); **H05K 2201/10159** (2013.01); **H05K 2201/10212** (2013.01); **H05K 2201/10522** (2013.01); **H05K 2201/10545** (2013.01)

**7 Claims, 4 Drawing Sheets**



(56)

**References Cited**

U.S. PATENT DOCUMENTS

5,303,121 A *	4/1994	Thornberg	.....	H05K 1/141	174/255	2003/0198031 A1 *	10/2003	Peterson	.....	H05K 1/112	361/760
5,337,219 A *	8/1994	Carr	.....	H01L 23/5385	174/255	2006/0067054 A1 *	3/2006	Wang	.....	H01L 23/3672	361/704
5,888,631 A *	3/1999	Sylvester	.....	H01L 23/3735	174/256	2006/0139983 A1 *	6/2006	Sprietsma	.....	G11C 5/025	365/52
6,021,564 A *	2/2000	Hanson	.....	H01L 21/486	257/E23.174	2008/0078572 A1 *	4/2008	Watanabe	.....	H05K 3/325	174/262
6,040,985 A *	3/2000	Arai	.....	H05K 1/029	174/255	2009/0173520 A1 *	7/2009	Duong	.....	H05K 1/0216	174/250
6,534,723 B1 *	3/2003	Asai	.....	H01L 23/49811	174/255	2010/0045337 A1 *	2/2010	Langton	.....	G01R 31/31719	326/8
7,872,876 B2 *	1/2011	Koo	.....	H05K 1/0216	361/795	2011/0298342 A1 *	12/2011	Li	.....	G06F 1/185	312/223.2
2001/0046125 A1 *	11/2001	Rehm	.....	H01L 23/5383	361/760	2013/0258624 A1 *	10/2013	Hardin	.....	H05K 1/184	361/773
						2016/0037631 A1 *	2/2016	Payne	.....	H05K 1/0306	174/251

\* cited by examiner

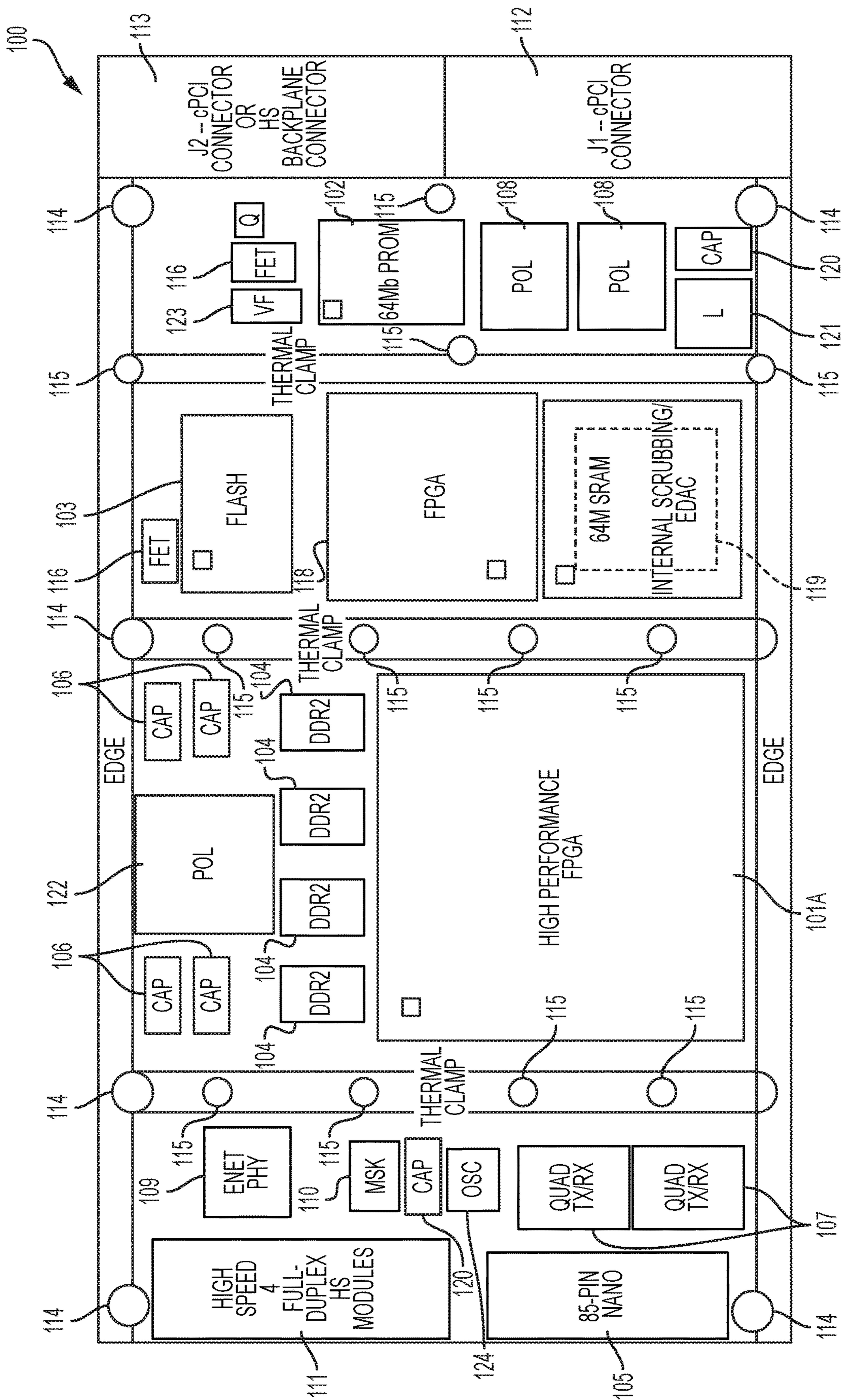


FIG. 1

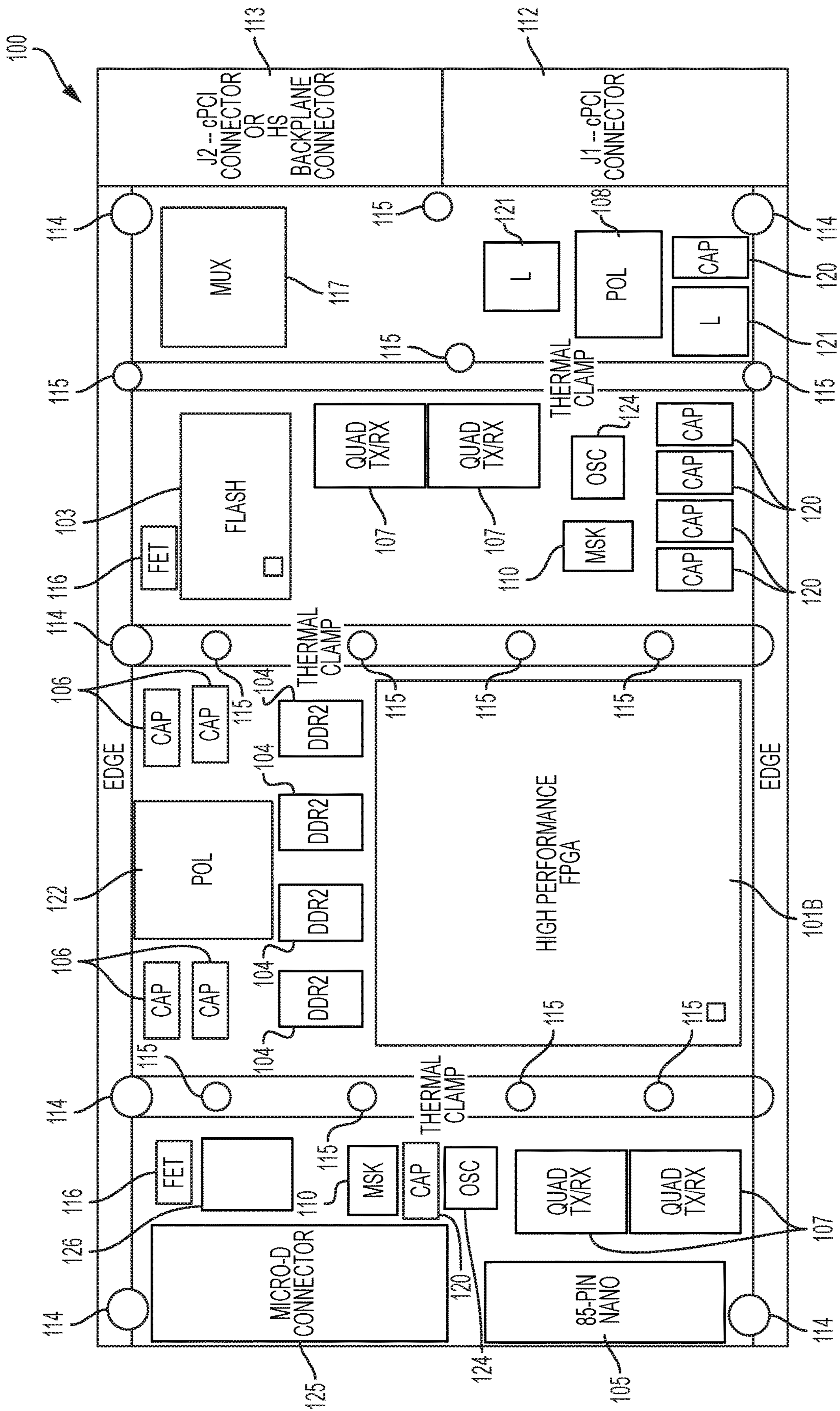


FIG. 2

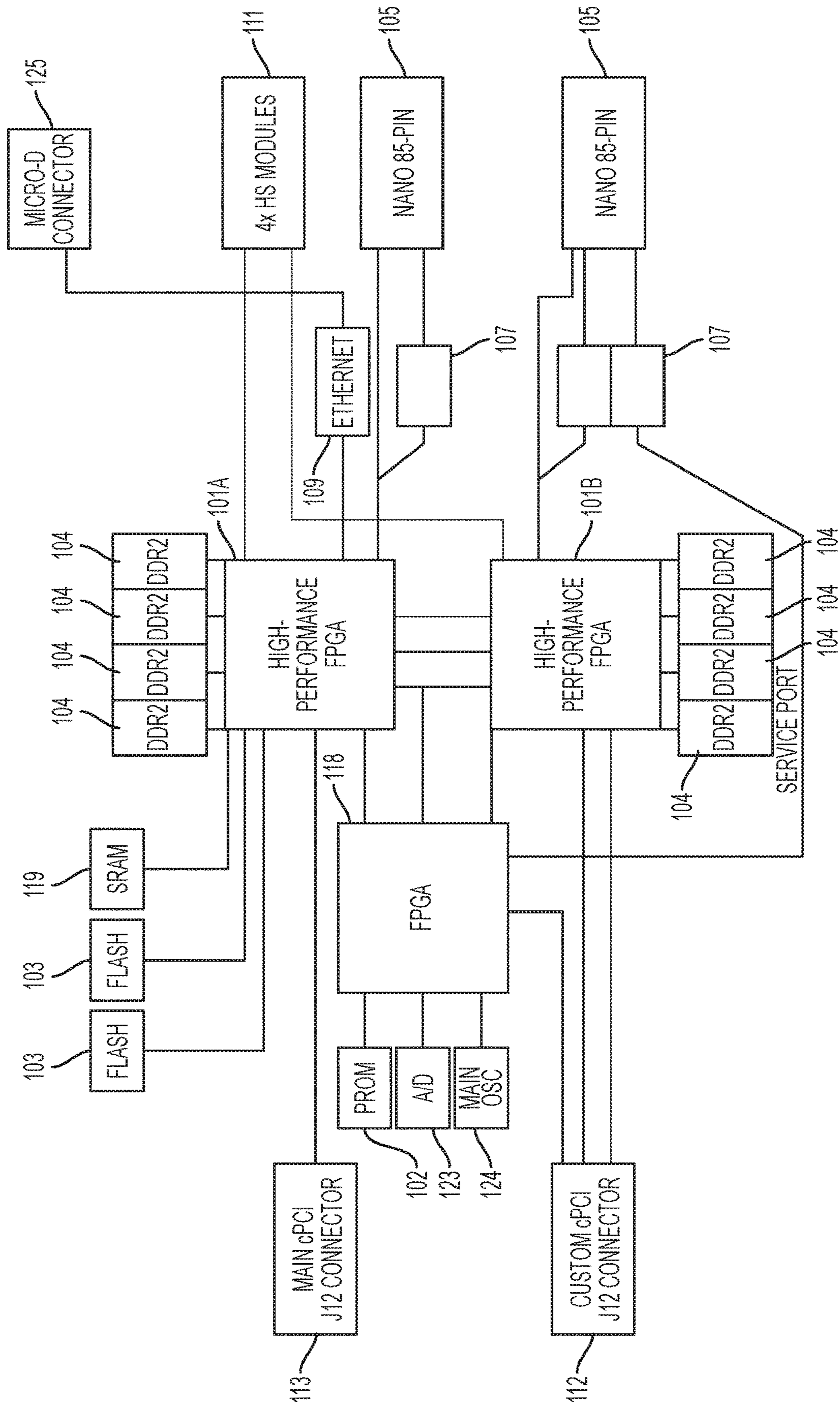


FIG. 3

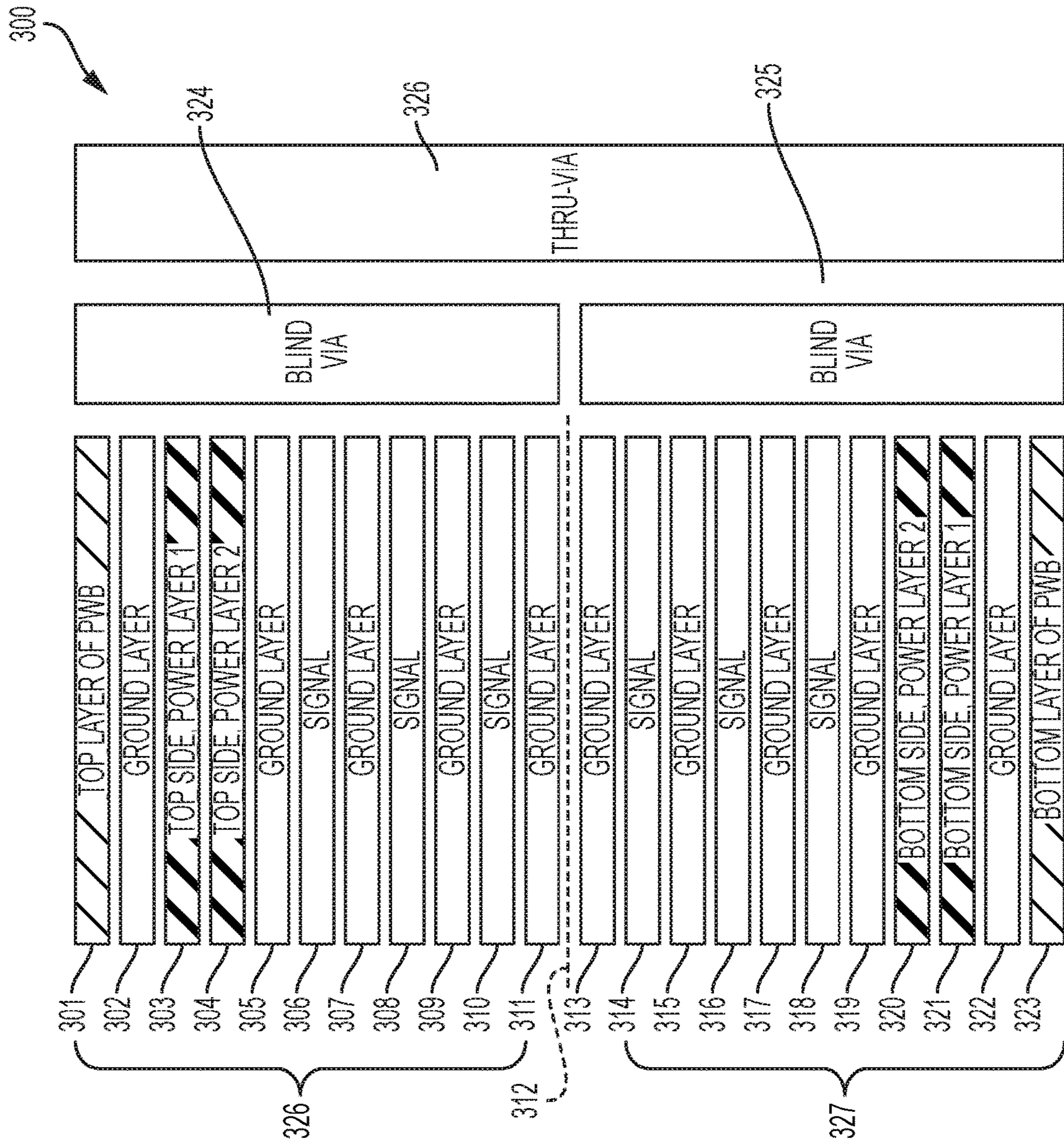


FIG. 4

**DUAL DYNAMIC RANDOM (DDR) ACCESS  
MEMORY INTERFACE DESIGN FOR  
AEROSPACE PRINTED CIRCUIT BOARDS**

ORIGIN OF THE INVENTION

The invention described herein was at least in-part made by an employee of the United States Government and may be manufactured or used by or for the Government of the United States of American for governmental purposes without the payment of any royalties thereon or therefor.

CROSS REFERENCE TO RELATED  
APPLICATION

Reference is made to and the contents are hereby by incorporated by reference of non-provisional utility patent application entitled "FIRST STAGE BOOTLOADER (FSBL)."

BACKGROUND OF THE INVENTION

1. Field of the Invention

The present invention relates to an improved memory design and layout for a radiation-hardened single board computer system, useful for space applications. The printed circuit board of the present invention allows for different parts to be placed in a back-to-back configuration to minimize the dimensions of the printed circuit board. This includes a high-performance radiation-hardened reconfigurable FPGA, for processing computation-intensive space systems, disposed on both sides of the printed circuit board. Four dual double data rate synchronous dynamic random-access memories (DDR2 SDRAMs) disposed on both the top side and on the bottom side of the printed circuit board reduce an operating voltage of said printed circuit board. A layout stack-up of the printed circuit board includes twenty-two symmetrical layers including ten ground layers, four power layers, six signal layers, a top layer, and a bottom layer.

2. Description of the Related Art

While existing printed circuit boards used in space applications, such as the SpaceCube 2.0™ processor card, have been employed and have been successful in many space missions, the present double data rate synchronous dynamic random-access memory (DDR1 SDRAM) memories are currently several generations behind, and as a result, the DDR1 SDRAM memory dies that had been radiation tested and qualified, have reached end of life.

Further, present DDR designs have memory systems used in space instruments, which are too slow for these applications. Another problem is that to accommodate any upgrades from present DDR designs requires different interface signals, pinouts, and voltage requirements, complicating any significant changes to the present printed circuit board layout. Changing the memory technology will have severe impact on the printed circuit board design since the original SpaceCube 2.0™ design utilizes DDR1 SDRAMs for its volatile memories.

Accordingly, since the present DDR1 SDRAM memories are no longer appropriate or available, an improvement in memory is required for space applications such that even greater amounts of science data can be produced, particularly since space applications require even more memory

bandwidth for on-board processing, especially for many image processing applications.

SUMMARY OF THE INVENTION

The present invention relates to an improved memory design and layout for a radiation-hardened single board computer system, useful for space applications.

In one embodiment, the single printed circuit board computer system of the present invention (such as a SpaceCube 2.0™ processor card or the like) is constrained to a small system that requires significant data processing capability and is built with radiation tolerant and/or hardened space parts. In one embodiment, the single board computer system is configured to execute at least 3,000 millions of instructions per second (MIPS), which is more than ten times greater than other comparable space processors.

In one embodiment, the present invention relates to a single board computer system with an improved memory and layout. In one embodiment, the unique layout of the printed circuit board of the present invention allows for different parts to be placed in a back-to-back configuration to minimize the dimensions of the printed circuit board. This includes a high-performance radiation-hardened reconfigurable FPGA, for processing computation-intensive space systems, disposed on both sides of the printed circuit board. Four dual double data rate synchronous dynamic random-access memories (DDR2 SDRAMs) disposed on both the top side and on the bottom side of the printed circuit board reduce an operating voltage of said printed circuit board. A layout stack-up of the printed circuit board includes twenty-two symmetrical layers including ten ground layers, four power layers, six signal layers, a top layer, and a bottom layer.

In one embodiment, the present invention a radiation-hardened single board computer system, includes: a printed circuit board having a top side and a bottom side, the printed circuit board including a plurality of layers arranged symmetrically in a two-halves configuration above and below a central plane of the printed circuit board, the printed circuit board including: a first field programmable gate array (FPGA) processor device disposed on the top side and a second FPGA disposed on the bottom side of the printed circuit board; four dual double data rate synchronous dynamic random-access memories (DDR2 SDRAMs) disposed on the top side of the printed circuit board; and four DDR2 SDRAMs disposed on the bottom side of the printed circuit board and mirroring the four DDR2 SDRAMs disposed on the top side of the printed circuit board; wherein the four DDR2 SDRAMs on the top side and the four DDR2 SDRAMs disposed on the bottom side of the printed circuit board store an operating system and dynamic application data; and a plurality of peripheral components mounted on the top side and the bottom side.

In one embodiment, a layout stack-up of the printed circuit board includes twenty-two symmetrical layers including ten ground layers, four power layers, six signal layers, a top layer, and a bottom layer.

In one embodiment, the plurality of peripheral components mounted on the top side of the printed circuit board include a flash memory device, a programmable read only memory device, at least one voltage regulator, a third FPGA which controls a central portion of the printed circuit board, and at least one electrical interface.

## 3

In one embodiment, the plurality of peripheral components mounted on the bottom side of the printed circuit board include a flash memory device, a multiplexer, and at least one electrical interface.

In one embodiment, the eight DDR2 SDRAMs reduce an operating voltage of the printed circuit board.

In one embodiment, the at least one voltage regulator is a Buck Converter.

In one embodiment, the third FPGA includes internal scrubbing and error correction and detection (EDAC) methods to correct errors in processing operations of the printed circuit board.

In one embodiment, a radiation-hardened single board computer system includes: a printed circuit board having a top side and a bottom side, the printed circuit board including a plurality of layers arranged symmetrically in a two-halves configuration above and below a central plane of the printed circuit board; a field programmable gate array (FPGA) processor device disposed on the top side and on the bottom side of the printed circuit board; at least one connector disposed on the top side; and a plurality of peripheral components mounted on the top side and the bottom side; wherein a layout stack-up of the top side of the printed circuit board includes upward from the central plane: a first ground layer; a first signal layer disposed on the first ground layer; a second ground layer disposed on the first signal layer; a second signal layer disposed on the second ground layer; a third ground layer disposed on the second signal layer; a third signal layer disposed on the third ground layer; a fourth ground layer disposed on the third signal layer; a first power layer disposed on the fourth ground layer; a second power layer disposed on the first power layer; a fifth ground layer disposed on the second power layer; and a top layer disposed on the fifth ground layer.

In one embodiment, the layout stack-up of the bottom side of the printed circuit board from the center plane outward includes: a sixth ground layer; a fourth signal layer disposed on the sixth ground layer; a seventh ground layer disposed on the fourth signal layer; a fifth signal layer disposed on the seventh ground layer; an eighth ground layer disposed on the fifth signal layer; a sixth signal layer disposed on the eighth ground layer; a ninth ground layer disposed on the sixth signal layer; a third power layer disposed on the ninth ground layer; a fourth power layer disposed on the third power layer; a tenth ground layer disposed on the fourth power layer; and a bottom layer disposed on the tenth ground layer.

In one embodiment, a multi-layer printed circuit board for a single radiation hardened processing system includes: a top half; a bottom half; and a central plane therebetween; wherein the multi-layer printed circuit board includes a plurality of layers arranged symmetrically in a two-halves configuration above and below the central plane of the printed circuit board; and a layout stack-up of the multi-layer printed circuit board, the layout stack-up including: four top ground layers and three top signal layers disposed in alternating layers in a top half above the central plane, of the printed circuit board; four bottom ground layers and three bottom signal layers disposed in alternating layers in a bottom half below the central plane, of the printed circuit board; a pair of top power layers disposed on each other, and disposed under a top layer of the top half of the printed circuit board; a pair of bottom power layers disposed on each other, and disposed under a bottom layer of the bottom half of the printed circuit board; and a fifth top ground layer disposed between the pair of top power layers and the top layer of the printed circuit board; a fifth bottom ground layer

## 4

disposed between the pair of bottom power layers and the bottom layer of the printed circuit board; wherein the top layer of the top half and the bottom layer of the bottom half each include a plurality of land pads for connecting electrical components to the printed circuit board.

In one embodiment, a layout stack-up of the top side of the printed circuit board includes upward from the central plane includes: a first top ground layer of the four top ground layers; a first top signal layer of the three top signal layers, the first top signal layer being disposed on the first top ground layer; a second top ground layer of the four top ground layers, the second top ground layer being disposed on the first top signal layer; a second top signal layer of the three top signal layers, the second top signal layer being disposed on the second top ground layer; a third top ground layer of the four top ground layers, the third top ground layer being disposed on the second top signal layer; a third top signal layer of the three top signal layers, the third top signal layer being disposed on the third top ground layer; a fourth top ground layer of the four top ground layers, the fourth top ground layer being disposed on the third top signal layer; a first top power layer of the pair of power layers, the first top power layer being disposed on the fourth top ground layer; and a second top power layer of the pair of power layers, the second top power layer being disposed on the first top power layer; wherein the fifth top ground layer is disposed on the second top power layer; and wherein the top layer of the top half is disposed on the fifth top ground layer.

In one embodiment, the layout stack-up of the bottom side of the printed circuit board from the center plane outward includes: a first bottom ground layer of the four bottom ground layers; a first bottom signal layer of the three bottom signal layers, the first bottom signal layer being disposed on the first bottom ground layer; a second bottom ground layer of the four bottom ground layers, the second bottom ground layer being disposed on the first bottom signal layer; a second bottom signal layer of the three bottom signal layers, the second bottom signal layer being disposed on the second bottom ground layer; a third bottom ground layer of the four bottom ground layers, the third bottom ground layer being disposed on the second bottom signal layer; a third bottom signal layer of the three bottom signal layers, the third bottom signal layer being disposed on the third bottom ground layer; a fourth bottom ground layer of the four bottom ground layers, the fourth bottom ground layer being disposed on the third bottom signal layer; a first bottom power layer of the pair of bottom power layers, the first bottom power layer being disposed on the fourth bottom ground layer; and a second bottom power layer of the pair of bottom power layers, the second bottom power layer being disposed on the first bottom power layer; wherein the fifth bottom ground layer is disposed on the second bottom power layer; and wherein the bottom layer of the bottom half is disposed on the fifth bottom ground layer.

In one embodiment, the multi-layer printed circuit board further includes: a plurality of blind vias and a plurality of through-vias to connect similarly located pins in a back-to-back arrangement.

In one embodiment, a multi-layer printed circuit board for a single board radiation hardened processing system, the multi-layer printed circuit board including: a top half; a bottom half; and a central plane therebetween; wherein the multi-layer printed circuit board includes a plurality of layers arranged symmetrically in a two-halves configuration above and below the central plane of the printed circuit board; and a layout stack-up of the multi-layer printed circuit board, the layout stack-up including: four top ground



5

layers and three top signal layers disposed in alternating layers in a top half above the central plane, of the printed circuit board; four bottom ground layers and three bottom signal layers disposed in alternating layers in a bottom half below the central plane, of the printed circuit board; a pair of top power layers disposed on each other, and disposed under a top layer of said top half of the printed circuit board; a pair of bottom power layers disposed on each other, and disposed under a bottom layer of the bottom half of the printed circuit board; and a fifth top ground layer disposed between the pair of top power layers and the top layer of the printed circuit board; a fifth bottom ground layer disposed between the pair of bottom power layers and the bottom layer of the printed circuit board; wherein the top layer of the top half and the bottom layer of the bottom half each include a plurality of land pads for connecting electrical components to the printed circuit board; a field programmable gate array (FPGA) processor device disposed on a top side and on a bottom side of the multi-layer printed circuit board; at least one connector disposed on the top side; and a plurality of peripheral components mounted on the top side and on a bottom side of the multi-layer printed circuit board; and wherein the top layer of the top half and the bottom layer of the bottom half each include a plurality of land pads for connecting electrical components to the printed circuit board.

Thus, has been outlined, some features consistent with the present invention in order that the detailed description thereof that follows may be better understood, and in order that the present contribution to the art may be better appreciated. There are, of course, additional features consistent with the present invention that will be described below and which will form the subject matter of the claims appended hereto.

In this respect, before explaining at least one embodiment consistent with the present invention in detail, it is to be understood that the invention is not limited in its application to the details of construction and to the arrangements of the components set forth in the following description or illustrated in the drawings. Methods and apparatuses consistent with the present invention are capable of other embodiments and being practiced and carried out in various ways. Also, it is to be understood that the phraseology and terminology employed herein, as well as the abstract included below, are for the purpose of description and should not be regarded as limiting.

As such, those skilled in the art will appreciate that the conception upon which this disclosure is based may readily be utilized as a basis for the designing of other structures, methods and systems for carrying out the several purposes of the present invention. It is important, therefore, that the claims be regarded as including such equivalent constructions insofar as they do not depart from the spirit and scope of the methods and apparatuses consistent with the present invention.

#### BRIEF DESCRIPTION OF THE DRAWINGS

The descriptions of the drawings are only one exemplary embodiment of the disclosure and not to be considered as limiting in scope.

FIG. 1 is a schematic diagram of a top layout of a radiation-hardened single board computer system, useful for space applications, according to one embodiment consistent with the present invention.

6

FIG. 2 is a schematic diagram of a bottom layout of the single board computer system of FIG. 1, according to one embodiment consistent with the present invention.

FIG. 3 is a schematic diagram of the communication links or interfaces between the major components of the single board computer system of FIGS. 1-2, according to one embodiment consistent with the present invention.

FIG. 4 is a schematic diagram of two-halves of the printed circuit board layout stack-up for a system utilizing FIGS. 1-2, according to one embodiment consistent with the present invention.

#### DESCRIPTION OF THE INVENTION

The present invention relates to an improved memory design and layout for a radiation-hardened single board computer system, useful for space applications.

In one embodiment, the single printed circuit board computer system **100** (such as a SpaceCube 2.0™ processor card or the like) is constrained to a small system that requires significant data processing capability and is built with radiation tolerant and/or hardened space parts. In one embodiment, the single board computer system **100** is configured to execute at least 3,000 millions of instructions per second (MIPS), which is more than ten times greater than other comparable space processors.

In one embodiment, the present invention relates to a radiation-hardened single board computer system **100** with an improved memory and layout (see FIGS. 1-2). In one embodiment, the unique layout of the printed circuit board of the present invention allows for different parts to be placed in a back-to-back configuration to minimize the dimensions of the printed circuit (wiring) board.

Although the embodiments disclosed herein will be described with reference to the drawings, it should be understood that the embodiments disclosed herein can be embodied in many alternate forms. In addition, any suitable size, shape or type of elements, components, or materials could be used.

In one embodiment, the single board computer system **100** (see FIGS. 1-2) of the present invention includes an extremely small, low power, reconfigurable field-programmable gate array (FPGA) multi-processor system **101A**, **101B**, such as a Xilinx Virtex-5, or the like, suitable for space flight. In one embodiment, the FPGA **101A**, **101B** of the printed circuit board of the present invention is a high-performance radiation-hardened reconfigurable FPGA for processing computation-intensive space systems. While embodiments of the present invention are generally described with respect to the FPGA, they are not so limited, and any suitable reconfigurable processor that meets the desired strict size, weight, processing capability and power requirements, can be implemented in the single board computer system **100**.

In one embodiment, peripheral components or devices that are used with the single board computer system **100** are chosen to maximize the use of the system **100** with a small electronics or printed circuit board. As shown in FIG. 1, which illustrates the top side of the single board computer system **100**, and FIG. 2, which illustrates the bottom side of the single board computer system **100** (as seen from the top), peripheral devices or components are used with the single board computer system **100** to maximize use of the system **100**. The capacities of the peripheral components referenced herein are merely exemplary, and in alternate embodiments, any suitable capacity devices can be used.

In one embodiment, the peripheral devices or components include a programmable read-only memory (PROM) device **102** for configuring the FPGA **101A**, such as a 64 Mb PROM **102**, and at least one flash memory device **103**, such as a 32 Gb flash memory for holding the software application and other user data. In one embodiment, there is a flash memory device **103** (i.e., such as a 3D PLUS 64 Mb Flash device) on each of the top and bottom of the printed circuit board **100**.

In one embodiment, the single board computer system **100** includes a plurality of double data rate synchronous dynamic random-access memories (DDR2 SDRAMs) **104** (such as an ISSI® DDR2 SDRAMs or the like), suitable to extend the life of the design of the present invention and provide even greater memory throughput to support the next generation of instruments. In order to accommodate the DDR2 SDRAMs devices **104**, which have different interface signals, pinouts, and voltage requirements, a significant change to the layout of the printed circuit board was required, and a unique layout of the single board computer system **100** is utilized in the present invention.

In one embodiment, the present invention includes the optimal configuration of grouping the DDR2 SDRAMs memories **104** in pairs with shared address/command/control lines, and a shared clock (see FIG. 3 for interfaces). In one embodiment, the DDR2 SDRAM random-access memories **104** includes two sets of 4x DDR2 SDRAM 2 Gbit (x16) memories **104** connected to the FPGA **101A** (top side—see FIG. 1) and FPGA **101B** (bottom side—see FIG. 2). In other words, four 2 Gbit DDR2s SDRAMs **104** on each of the top side and on the bottom side of the board **100** for a total of 8 DDR2 SDRAMs **104**, for storing an operating system and dynamic application data such as images or attached instrument data, for example.

By sharing the address/clock/command/control lines, the number of FPGA **101A**, **101B** input/outputs for the DDR2 SDRAMs **104** interfaces can be reduced. This allows more of the FPGA input/outputs to be available for other interfaces, increasing the card's **100** flexibility. In one embodiment, the total input/output (I/O) is equal to 130 pins (2x65) per FPGA **101A**, **101B**, with shared address/clock/command/control.

In one embodiment, the use of DDR2 SDRAMs **104** has the advantage of reducing the operating voltage from previous 2.5V to 1.8V, which reduces the power from the perspective of thermal analysis. In one embodiment, the estimated power is 186 mA per DDR2 SDRAM module **104** of power, and 1.488 A @ 1.8V total current.

In one embodiment, signal integrity analysis showed that the FPGA **101A**, **101B** could drive the address/command/control lines to dual memories (i.e., DDR2 SDRAMs **104**) while meeting the switching requirements. Signal integrity and power analysis were also used to determine which termination schemes were required to meet the performance requirements. This was important because some of the termination schemes required additional regulators (which cannot be added due to size constraints) or an increase in power consumption on the board.

In one embodiment, the present invention utilizes a dedicated regulator **122**, such as a Texas Instruments Point-of-Lead DC/DC Buck Converter or the like, for the DDR2 SDRAM memories **104** and for making changes to the power planes in the printed circuit board. In one embodiment, the DDR2 SDRAM module **104** Buck Converter **122** provides a synchronous step-down DC/DC converter capable of driving up to a 2A load with efficiency and output accuracy for a very small solution size.

In one embodiment, the DDR2 SDRAM modules **104** of the present invention improve support for new space instruments because they can provide more than a 2x memory speed increase over previous designs.

Other peripheral components of the single board computer system are generally disclosed in U.S. Pat. No. 9,851,763 which is herein incorporated by reference.

In one embodiment, besides the FPGAs **101A**, **101B**, the PROM **102**, the flash memory device **103**, and the DDR2 SDRAMs **104**, other major peripheral components on the top side of the single board computer system **100** include a plurality of capacitors **106**. With the configuration of the DDR2 SDRAMs **104** in the present single board computer system **100**, which allows additional area on the printed circuit board to be available for use, large capacitors **106** can be implemented to provide instantaneous current during the enable of on-die termination (ODT) or terminal resistance internal to the DDR2 SDRAM devices **104**.

In one embodiment, the single board computer system **100** includes an FPGA device **118** (such as an Aeroflex FPGA Model UT6325 or the like) which controls the main part of the printed circuit board **100** and programs the FPGA **101**. In one embodiment, an SDRAM **119** with internal scrubbing (such as an Aeroflex 64M SDRAM Model UT8ER2M32, with internal scrubbing EDAC, or the like) is provided on the top side of the board **100** to automatically correct any errors in the processing operations of the printed circuit board **100**.

In one embodiment, the top side of the printed circuit board **100** includes a field-effect-transistor (FET) **116**. At the peripheral sides of the printed circuit board **100**, the present invention includes a plurality of transmit/receive devices **107** which assist in communications or provide for custom interfaces. In one embodiment, the printed circuit board **100** includes a voltage regulator **110**, a capacitor **120**, an oscillator **124**, an ethernet connection **109**, and a communication module **111** (such as an Airborn high-speed 4 full-duplex high-speed module, or the like).

In one embodiment, another peripheral component is a connector (such as an Airborn 85-pin Nano connector, or the like), one connector **105** on the top and another connector **105** on the bottom of the board **100** in back-to-back configuration. The connectors are surface mount connectors **105**, but any suitable connectors can be used that provides the required functionality while minimizing space and weight. The connectors **105** are configured to provide any suitable connections or ports for the single board computer system **100**, which include, for example, a power connection which can provide a 5-volt power supply, depending on the requirements of the single board computer system **100**.

In one embodiment, other peripheral components include a plurality of point-of-load (POL) DC-DC converters **108**, another FET **116**, inductors **121**, capacitors **120**, and a voltage-to-frequency (A/D) converter **123**. In one embodiment, the POL converters **108** generate necessary power for the circuit board **100**. The inductors **121** are required to be used in conjunction with the Buck POL regulators **122** to generate the required voltages. The capacitors **120** are required for power filtering and the overall power distribution network. The MOSFETs **116** are used to switch power on and off to select circuitry on the board **100**. The voltage-to-frequency (VF) converter **123** is used for monitoring various circuit card voltages and temperatures (for house-keeping purposes).

In one embodiment, other peripheral components include a compact peripheral component interconnect (cPCI) **112** or computer bus **112**, and a second cPCI **113** high-speed

backplane connector. The cPCI connector **112** is used to plug the card **100** into a higher-level assembly as a daughter card configuration.

The single board computer system **100** of the present invention, and its components, as described above, improve the underlying technology of the memory system and its layout, which makes it useful for space applications.

In alternate embodiments, the peripheral components can include such other components as needed to support the user application of the single board computer system **100** that satisfy the requirements as generally described herein.

In one embodiment, mounting holes **114** are used to secure the connector **111**, or the component computer bus **112** to the circuit board. In one embodiment, other through holes **115** or thermal board interfaces or mounting holes are provided for securing or clamping the single board computer system **100** within a suitable frame or connector structure and for providing stiffness to the solder joints of the column grid array FPGA devices (this is needed for fighting solder joint fatigue in an environment where temperature is constantly changing). In one embodiment, the thermal board interfaces or mounting holes **115** can provide a primary heat path from the circuit board to the frame or other heat sink. In one embodiment, a secondary heat path would involve stalling a thermal strap or bond from the packaging of the higher power devices to the heat sink, such as the FPGAs **101A**, **101B** and DDR2 SDRAMs **104**.

In one embodiment, on the bottom side of the single board computer system **100** (see FIG. 2), like reference numerals indicate like components from the top side of the printed circuit board. In one embodiment, peripheral parts or components mounted to the bottom side include a multiplexer (Mux) **117** (such as an Aeroflux Mux or the like), additional capacitors **106**, **120**, an addition inductor **121**, ethernet transformer **126**, oscillator **124**, additional transmit/receive devices **107**, and a communication module, such as a micro-D connector **125** in place of the high speed 4 full-duplex module **111** in the top side of the board **100**.

In alternate embodiments, the back side of the single board computer system **100** can include such other suitable components and devices as required for the particular user application and that satisfy the requirements as generally described herein.

In one embodiment, the interfaces between the main components of the single board computer system **100** are shown in FIG. 3, which accomplish the functions of the present system **100**. In one embodiment, four DDR2 SDRAMs **104**, flash memories **103** and SRAM **119** are connected to FPGA **101A**, and the other four DDR2 SDRAMs **104** are connected to the FPGA **101B**. Both FPGAs **101A**, **101B** are connected to each other, and to FPGA **118**, as well as to transmitter/receivers **107**—to which FPGA **118** is also connected. FPGA **101A** has an ethernet **109** connection. FPGA **118** connects to PROM **102**, A/D converter **123**, and main oscillator **124**. FPGA **101A** is connected to the main cPCI J1 connector **113**, and the nano 85-pin connector **105** (top side), and FPGA **101B** is connected to the custom cPCI J2 connector **112**, and the nano 85-pin connector **105** (bottom side). FPGA **118** is also connected to the bottom side nano 85-pin connector **105**. Finally, the ethernet connection **109** is connected to the micro-D connector **125** (bottom side). The interfaces of the single board computer system **100** of the present invention, improve the underlying technology of the memory system and its layout, which makes it useful for space applications.

In one embodiment, the single printed circuit board computer system **100** (such as a SpaceCube 2.0™ processor card

or the like) is constrained to a small system that requires significant data processing capability and is built with radiation tolerant and/or hardened space parts. In one embodiment, the single board computer system **100** is configured to execute at least 3,000 millions of instructions per second (MIPS), which is more than ten times greater than other comparable space processors.

In one embodiment, radiation mitigation is possible with the single board computer system **100** of the disclosed embodiment, by using radiation-hardened parts and components. In one embodiment, the software and data files in the flash memory can be stored in a redundant fashion to protect against radiation upsets. In one embodiment, the single board computer system **100** is reconfigurable via a “hardware bootloader”.

In one embodiment, the stack-up layout of the single board computer system **100** or electronic/printed circuit board (PCB) (see FIG. 4), are arranged symmetrically around a central plane **301** which is co-planar with the PCB **300**. The PCB **300** is a multi-layer PCB **300** configured in a two halves configuration. The PCB **300** includes a center of the board **312**, a top half **326** and a bottom half **327**, which includes a multi-layer configuration which supports back-to-back mounting of similar column grid array (CGA) devices, where the layers of the PCB **300** are arranged symmetrically around the central plane **312**, which is coplanar with the PCB **300**. The top layer **301** and the bottom layer **323** of the PCB **300** can have the same configuration as each other, mirrored around the central plane **312**. The top layer **301** and bottom layer **323** in the layout **300** include the mounting or land pads for connecting electronic components to the PCB **300** as well as signal geometry of the conductive material and insulating layers formed on or within the PCB **300**.

The stack-up layout **300** includes 22 layers: ten ground layers **302**, **304**, **307**, **309**, **313**, **315**, **316**, **318**, **319**, **322**; four power layers **303**, **304**, **320**, **321**; six signal layers **306**, **308**, **310**, **314**, **316**, **317**; and top layer **301** and bottom layer **323**. The power planes are sandwiched by ground layers so that the power planes are not used as signal references. The power planes **303**, **304**, **320**, **321** are placed near the top and bottom of the stack-up to reduce impedance of the power distribution network. The stack-up layout **300** allows the present invention to improve the underlying technology of the memory system, which makes it useful for space applications.

The stack-up layout **300** also includes vias **324**, **325** and through-hole via **326**. With the two-halves board configuration shown in layout **300**, many of the via-in-pad features require only blind vias **324**, **325** going no more than halfway through the board **300** allowing a smaller via diameter to be used. A through via **326** is used to connect similarly located pins on each of the devices in a back-to-back configuration of CGA devices.

In one embodiment, using the present FPGAs **101A**, **101B**, all power/signal vias will be blind vias, with the exception of the FPGA I/O that are simply a via.

In one embodiment, the single board computer system **100** of the present invention is used in space applications, such as the SpaceCube 2.0™, a very small miniaturized system used in robotic arms or international space station payloads or satellites for space research applications. Other applications include, but are not limited to, systems used in small free flyer satellite systems, balloons, sounding rockets, unmanned aerial vehicles (UAVs), and small instruments that require high end data processing.

## 11

It should be emphasized that the above-described embodiments of the invention are merely possible examples of implementations set forth for a clear understanding of the principles of the invention. Variations and modifications may be made to the above-described embodiments of the invention without departing from the spirit and principles of the invention. All such modifications and variations are intended to be included herein within the scope of the invention and protected by the following claims.

What is claimed is:

1. A radiation-hardened single board computer system, the radiation-hardened single board computer system comprising:

a printed circuit board having a top side and a bottom side, said printed circuit board including a plurality of layers arranged symmetrically in a two-halves configuration above and below a central plane of said printed circuit board;

a field programmable gate array (FPGA) processor device disposed on said top side and on said bottom side of said printed circuit board;

at least one connector disposed on said top side; and

a plurality of peripheral components mounted on said top side and said bottom side;

wherein a layout stack-up of said top side of said printed circuit board comprises upward from said central plane:

a first ground layer;

a first signal layer disposed on said first ground layer;

a second ground layer disposed on said first signal layer;

a second signal layer disposed on said second ground layer;

a third ground layer disposed on said second signal layer;

a third signal layer disposed on said third ground layer;

a fourth ground layer disposed on said third signal layer;

a first power layer disposed on said fourth ground layer;

a second power layer disposed on said first power layer;

a fifth ground layer disposed on said second power layer; and

a top layer disposed on said fifth ground layer.

2. The single board computer system of claim 1, wherein said layout stack-up of said bottom side of said printed circuit board from said center plane outward comprises:

a sixth ground layer;

a fourth signal layer disposed on said sixth ground layer;

a seventh ground layer disposed on said fourth signal layer;

a fifth signal layer disposed on said seventh ground layer;

an eighth ground layer disposed on said fifth signal layer;

a sixth signal layer disposed on said eighth ground layer;

a ninth ground layer disposed on said sixth signal layer;

a third power layer disposed on said ninth ground layer;

a fourth power layer disposed on said third power layer;

a tenth ground layer disposed on said fourth power layer; and

a bottom layer disposed on said tenth ground layer.

3. A multi-layer printed circuit board for a single radiation hardened processing system, the multi-layer printed circuit board comprising:

a top half;

a bottom half; and

a central plane therebetween;

wherein the multi-layer printed circuit board includes a plurality of layers arranged symmetrically in a two-

## 12

halves configuration above and below said central plane of said printed circuit board; and

a layout stack-up of the multi-layer printed circuit board, the layout stack-up comprising:

four top ground layers and three top signal layers disposed in alternating layers in a top half above said central plane, of said printed circuit board;

four bottom ground layers and three bottom signal layers disposed in alternating layers in a bottom half below said central plane, of said printed circuit board;

a pair of top power layers disposed on each other, and disposed under a top layer of said top half of said printed circuit board;

a pair of bottom power layers disposed on each other, and disposed under a bottom layer of said bottom half of said printed circuit board; and

a fifth top ground layer disposed between said pair of top power layers and said top layer of said printed circuit board;

a fifth bottom ground layer disposed between said pair of bottom power layers and said bottom layer of said printed circuit board;

wherein said top layer of said top half and said bottom layer of said bottom half each include a plurality of land pads for connecting electrical components to said printed circuit board.

4. The multi-layer printed circuit board of claim 3, wherein a layout stack-up of said top side of said printed circuit board comprises upward from said central plane comprises:

a first top ground layer of said four top ground layers;

a first top signal layer of said three top signal layers, said first top signal layer being disposed on said first top ground layer;

a second top ground layer of said four top ground layers, said second top ground layer being disposed on said first top signal layer;

a second top signal layer of said three top signal layers, said second top signal layer being disposed on said second top ground layer;

a third top ground layer of said four top ground layers, said third top ground layer being disposed on said second top signal layer;

a third top signal layer of said three top signal layers, said third top signal layer being disposed on said third top ground layer;

a fourth top ground layer of said four top ground layers, said fourth top ground layer being disposed on said third top signal layer;

a first top power layer of said pair of power layers, said first top power layer being disposed on said fourth top ground layer; and

a second top power layer of said pair of power layers, said second top power layer being disposed on said first top power layer;

wherein said fifth top ground layer is disposed on said second top power layer; and

wherein said top layer of said top half is disposed on said fifth top ground layer.

5. The multi-layer printed circuit board of claim 4, wherein said layout stack-up of said bottom side of said printed circuit board from said center plane outward comprises:

a first bottom ground layer of said four bottom ground layers;

## 13

a first bottom signal layer of said three bottom signal layers, said first bottom signal layer being disposed on said first bottom ground layer;

a second bottom ground layer of said four bottom ground layers, said second bottom ground layer being disposed on said first bottom signal layer; 5

a second bottom signal layer of said three bottom signal layers, said second bottom signal layer being disposed on said second bottom ground layer;

a third bottom ground layer of said four bottom ground layers, said third bottom ground layer being disposed on said second bottom signal layer; 10

a third bottom signal layer of said three bottom signal layers, said third bottom signal layer being disposed on said third bottom ground layer; 15

a fourth bottom ground layer of said four bottom ground layers, said fourth bottom ground layer being disposed on said third bottom signal layer;

a first bottom power layer of said pair of bottom power layers, said first bottom power layer being disposed on said fourth bottom ground layer; and 20

a second bottom power layer of said pair of bottom power layers, said second bottom power layer being disposed on said first bottom power layer;

wherein said fifth bottom ground layer is disposed on said second bottom power layer; and 25

wherein said bottom layer of said bottom half is disposed on said fifth bottom ground layer.

6. The multi-layer printed circuit board of claim 5, the multi-layer printed circuit board further comprising: 30

a plurality of blind vias and a plurality of through-vias to connect similarly located pins in a back-to-back arrangement.

7. A multi-layer printed circuit board for a single board radiation hardened processing system, the multi-layer printed circuit board comprising: 35

a top half;

a bottom half; and

a central plane therebetween;

wherein the multi-layer printed circuit board includes a plurality of layers arranged symmetrically in a two- 40

## 14

halves configuration above and below said central plane of the printed circuit board; and

a layout stack-up of the multi-layer printed circuit board, the layout stack-up comprising:

four top ground layers and three top signal layers disposed in alternating layers in a top half above said central plane, of said printed circuit board;

four bottom ground layers and three bottom signal layers disposed in alternating layers in a bottom half below said central plane, of said printed circuit board;

a pair of top power layers disposed on each other, and disposed under a top layer of said top half of said printed circuit board;

a pair of bottom power layers disposed on each other, and disposed under a bottom layer of said bottom half of said printed circuit board; and

a fifth top ground layer disposed between said pair of top power layers and said top layer of said printed circuit board;

a fifth bottom ground layer disposed between said pair of bottom power layers and said bottom layer of said printed circuit board;

wherein said top layer of said top half and said bottom layer of said bottom half each include a plurality of land pads for connecting electrical components to said printed circuit board;

a field programmable gate array (FPGA) processor device disposed on a top side and on a bottom side of said multi-layer printed circuit board;

at least one connector disposed on said top side; and

a plurality of peripheral components mounted on said top side and on a bottom side of said multi-layer printed circuit board; and

wherein said top layer of said top half and said bottom layer of said bottom half each include a plurality of land pads for connecting electrical components to said printed circuit board.

\* \* \* \* \*