



US011905629B2

(12) **United States Patent**  
**Podhajny et al.**

(10) **Patent No.:** **US 11,905,629 B2**  
(45) **Date of Patent:** **\*Feb. 20, 2024**

(54) **FABRIC CONTROL DEVICE**

*G06F 3/0445* (2019.05); *G06F 3/0446*  
(2019.05); *G06F 3/04883* (2013.01); *D02G*  
*3/441* (2013.01);

(71) Applicant: **Apple Inc.**, Cupertino, CA (US)

(Continued)

(72) Inventors: **Daniel A. Podhajny**, Morgan Hill, CA  
(US); **Daniel D. Sunshine**, Austin, TX  
(US); **Kathryn P. Crews**, Menlo Park,  
CA (US)

(58) **Field of Classification Search**

CPC ..... *G06F 1/1601*; *G06F 1/163*; *G06F 1/1633*;  
*G06F 1/1688*

See application file for complete search history.

(73) Assignee: **Apple Inc.**, Cupertino, CA (US)

(56) **References Cited**

(\*) Notice: Subject to any disclaimer, the term of this  
patent is extended or adjusted under 35  
U.S.C. 154(b) by 200 days.

U.S. PATENT DOCUMENTS

This patent is subject to a terminal dis-  
claimer.

6,937,227 B2 8/2005 Qamhiyah et al.  
7,144,293 B2 12/2006 Mann et al.

(Continued)

(21) Appl. No.: **17/570,191**

*Primary Examiner* — Anthony Q Edwards

(22) Filed: **Jan. 6, 2022**

(74) *Attorney, Agent, or Firm* — Treyz Law Group, P.C.;  
G. Victor Treyz; Joseph F. Guihan

(65) **Prior Publication Data**

US 2022/0127761 A1 Apr. 28, 2022

(57) **ABSTRACT**

**Related U.S. Application Data**

(63) Continuation of application No. 17/112,323, filed on  
Dec. 4, 2020, now Pat. No. 11,255,028, which is a  
(Continued)

A fabric-based item may include a housing that is covered in  
fabric. Areas of the fabric may overlap input circuitry such  
as button switches, touch sensors, force sensors, proximity  
sensors, and other sensing circuitry and may overlap other  
components such as light-emitting components and haptic  
output devices. The fabric-based item may include control  
circuitry that gathers user input from the input circuitry and  
wireless communications circuitry that the control circuitry  
uses to transmit remote control commands and other wire-  
less signals in response information from the input circuitry.  
The fabric-based item may have a weight that is located in  
the housing to orient the housing in a desired direction when  
the housing rests on a surface. A movable weight may tilt the  
housing in response to proximity sensor signals or other  
input. Portions of the fabric may overlap light-emitting  
components and optical fiber configured to emit light.

(51) **Int. Cl.**

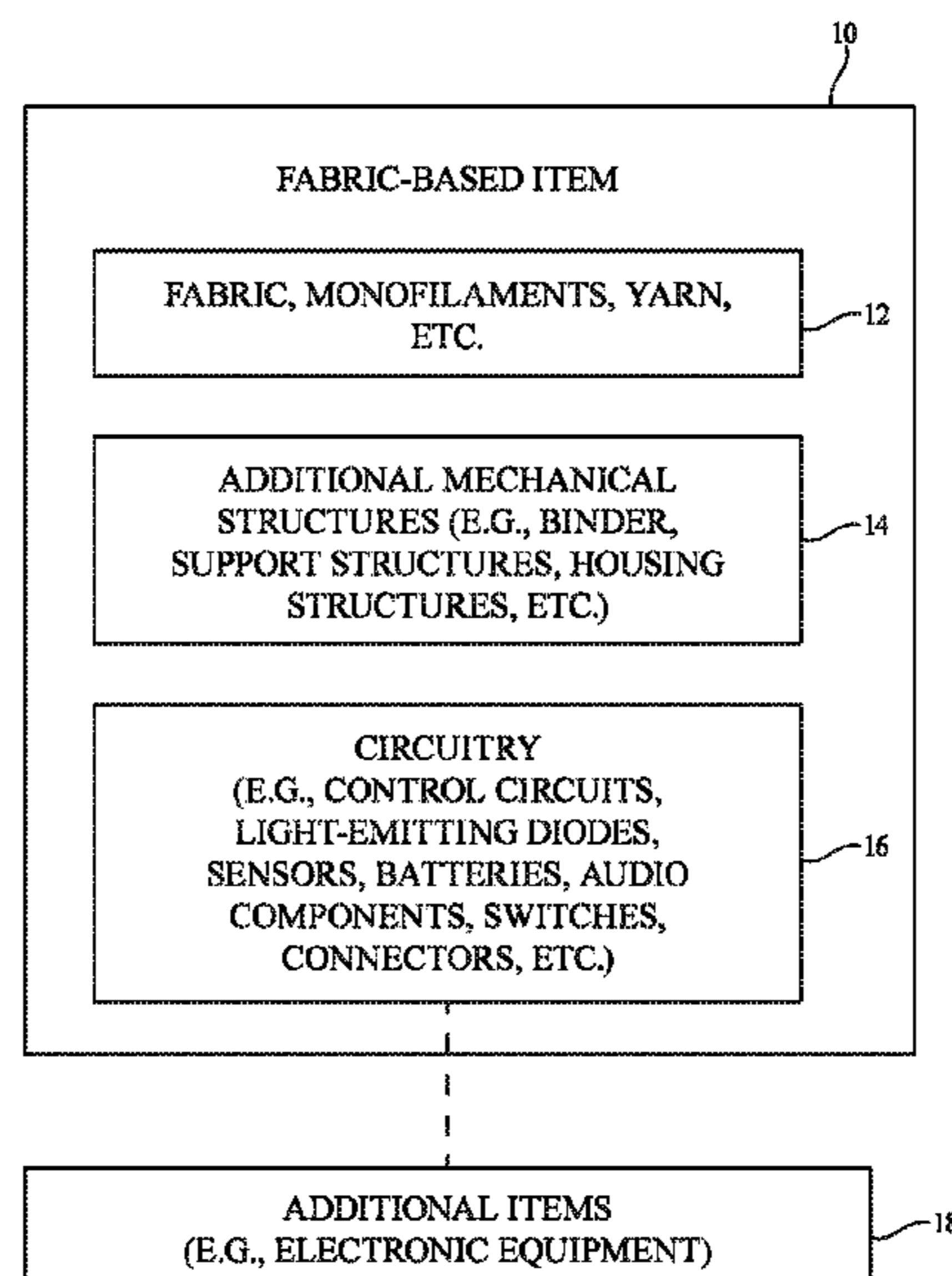
*G06F 1/16* (2006.01)  
*D03D 1/00* (2006.01)  
*A41D 1/00* (2018.01)  
*A41D 31/02* (2019.01)  
*G06F 3/04883* (2022.01)

(Continued)

(52) **U.S. Cl.**

CPC ..... *D03D 1/0088* (2013.01); *A41D 1/005*  
(2013.01); *A41D 31/02* (2013.01); *D03D*  
*1/0082* (2013.01); *G06F 3/042* (2013.01);

**20 Claims, 17 Drawing Sheets**



**Related U.S. Application Data**

continuation of application No. 16/871,531, filed on May 11, 2020, now Pat. No. 10,883,203, which is a continuation of application No. 16/584,005, filed on Sep. 26, 2019, now Pat. No. 10,689,783, which is a continuation of application No. 16/207,407, filed on Dec. 3, 2018, now Pat. No. 10,465,314, which is a continuation of application No. 15/940,842, filed on Mar. 29, 2018, now Pat. No. 10,156,029.

(60) Provisional application No. 62/519,386, filed on Jun. 14, 2017.

(51) **Int. Cl.**

**G06F 3/042** (2006.01)

**G06F 3/044** (2006.01)

**D02G 3/44** (2006.01)

(52) **U.S. Cl.**

CPC ..... *D10B 2401/16* (2013.01); *D10B 2401/18* (2013.01); *G06F 2203/04102* (2013.01)

(56) **References Cited**

U.S. PATENT DOCUMENTS

9,588,551 B1 3/2017 Hegde et al.  
9,830,783 B1 11/2017 Kessler et al.

10,056,205 B2 8/2018 Hegde et al.  
10,145,036 B1 12/2018 Sunshine et al.  
10,156,029 B1 12/2018 Podhajny et al.  
10,465,314 B2 11/2019 Podhajny et al.  
2008/0168396 A1 7/2008 Matas et al.  
2008/0266112 A1 10/2008 van de Sluis et al.  
2009/0256817 A1 10/2009 Perlin et al.  
2013/0083496 A1 4/2013 Franklin et al.  
2014/0262715 A1 9/2014 Lee et al.  
2015/0293661 A1 10/2015 Gomez  
2016/0042723 A1 2/2016 Lee et al.  
2016/0198996 A1 7/2016 Dullen  
2016/0209920 A1\* 7/2016 Mastandrea ..... G06F 3/014  
2016/0282988 A1 9/2016 Poupyrev  
2016/0283101 A1 9/2016 Schwesig et al.  
2016/0345638 A1 12/2016 Robinson et al.  
2017/0233903 A1 8/2017 Jeon  
2017/0249033 A1 8/2017 Podhajny et al.  
2017/0251555 A1 8/2017 Sunshine et al.  
2017/0370030 A1 12/2017 Podhajny et al.  
2018/0120892 A1 5/2018 Von Badinski et al.  
2018/0195218 A1 7/2018 Hamada et al.  
2019/0132948 A1 5/2019 Longinotti-Buitoni et al.  
2019/0138068 A1 5/2019 Park et al.  
2019/0310706 A1 10/2019 Wang  
2020/0155362 A1 5/2020 Pedley et al.

\* cited by examiner

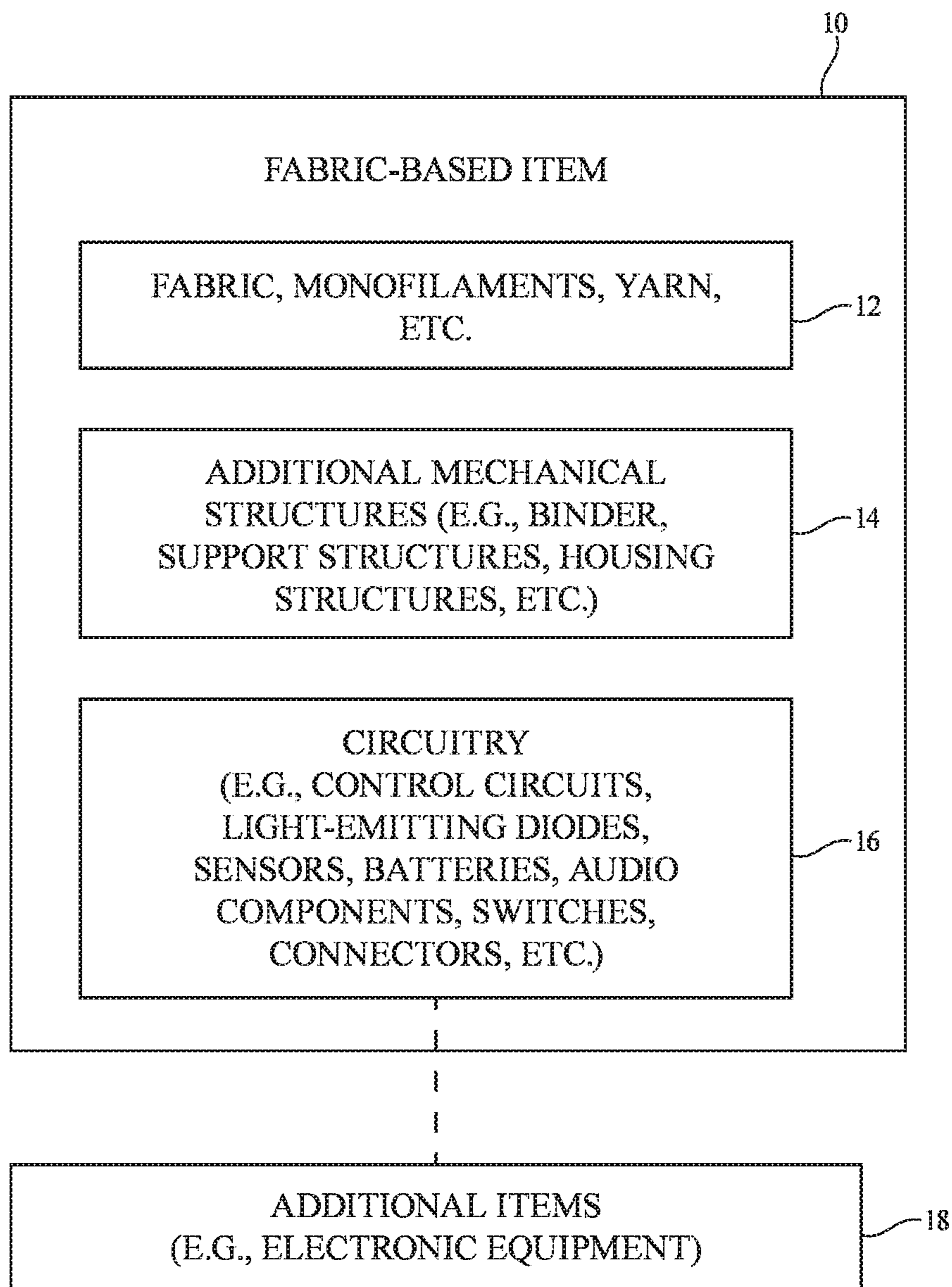
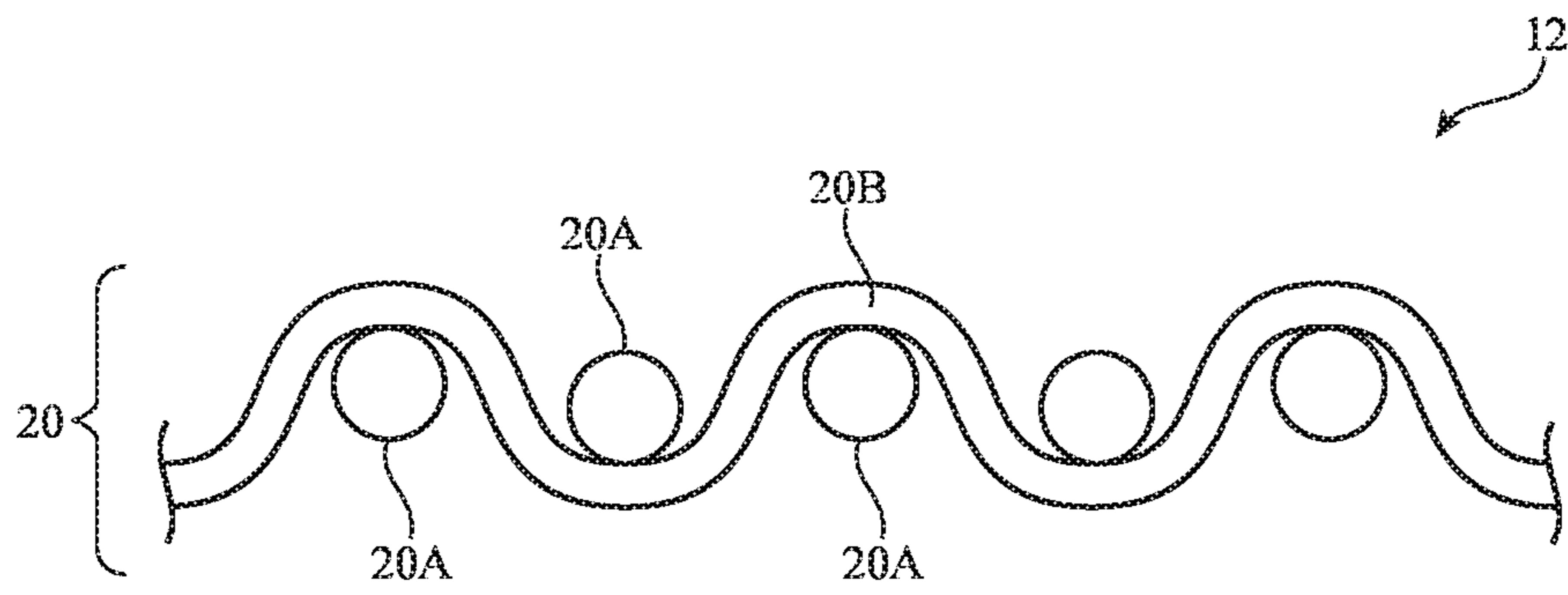


FIG. 1



**FIG. 2**

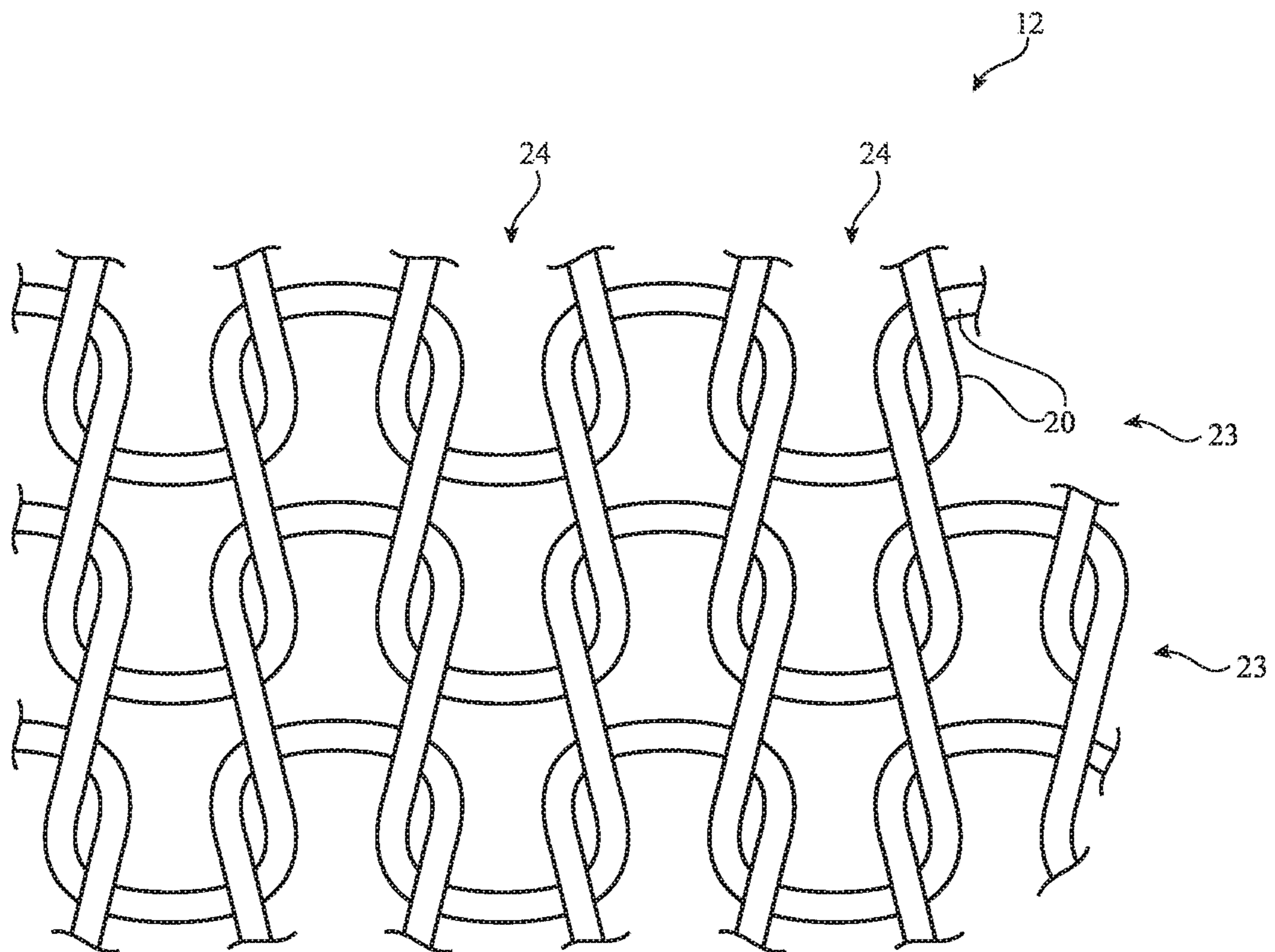


FIG. 3

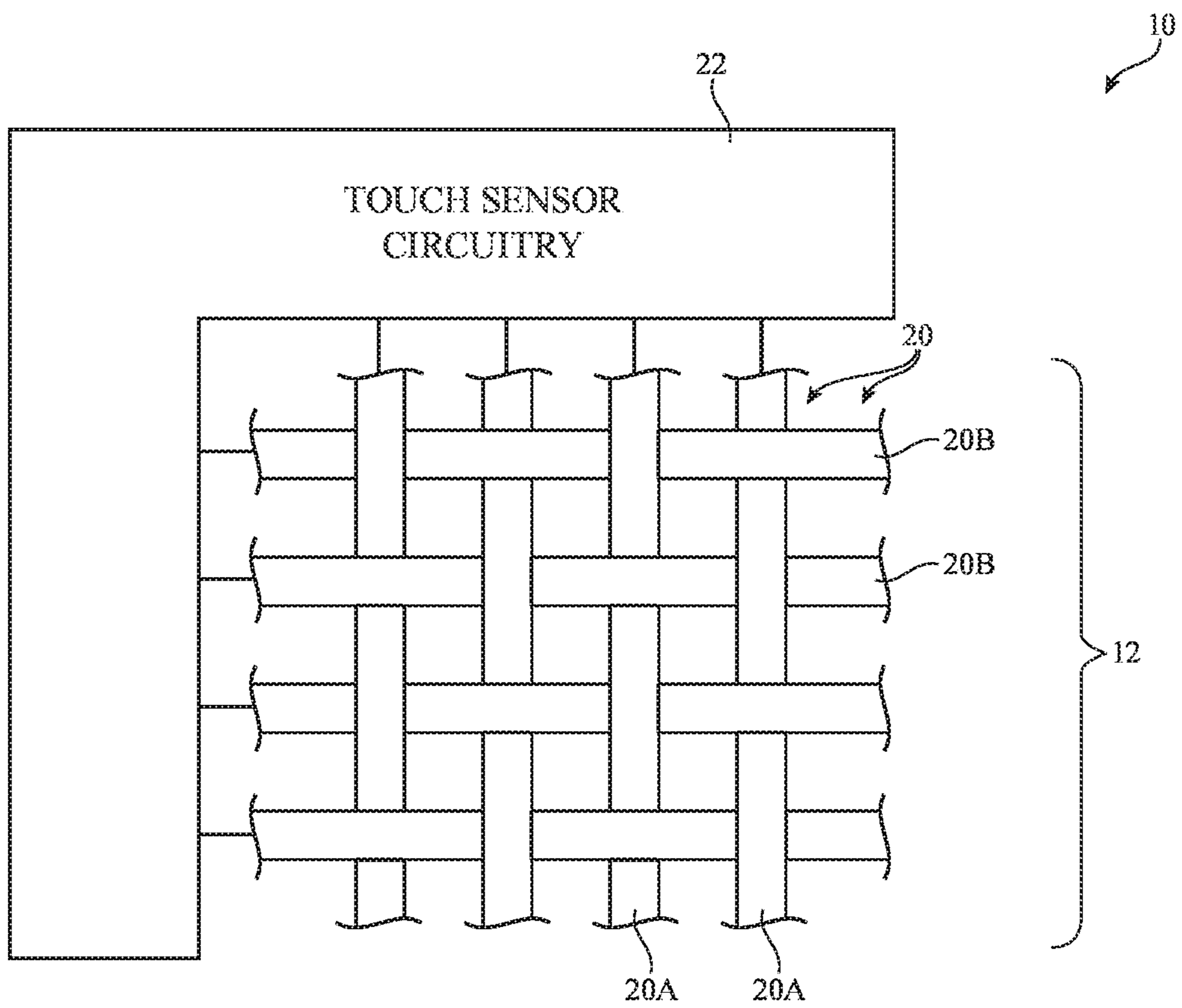


FIG. 4

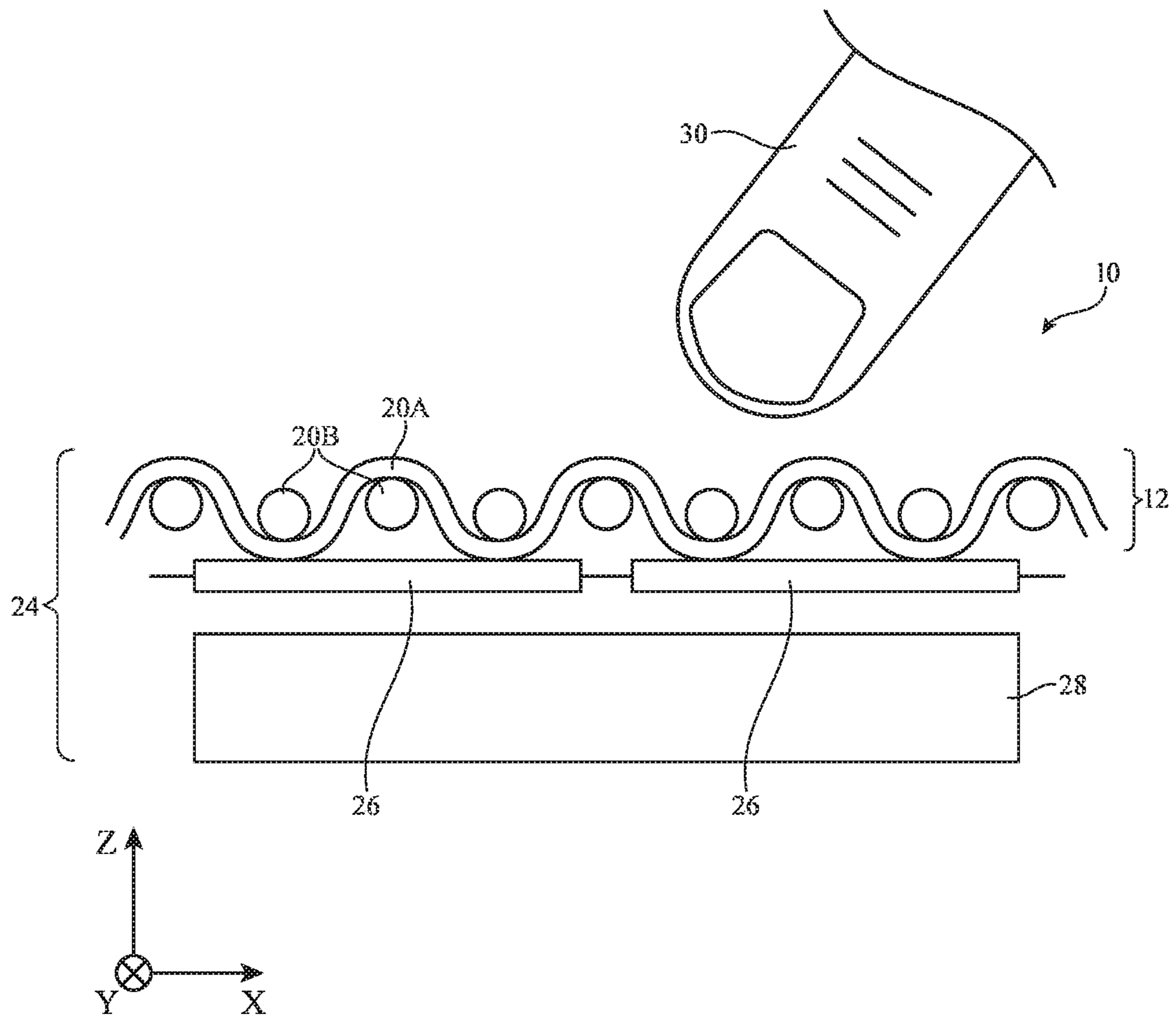


FIG. 5

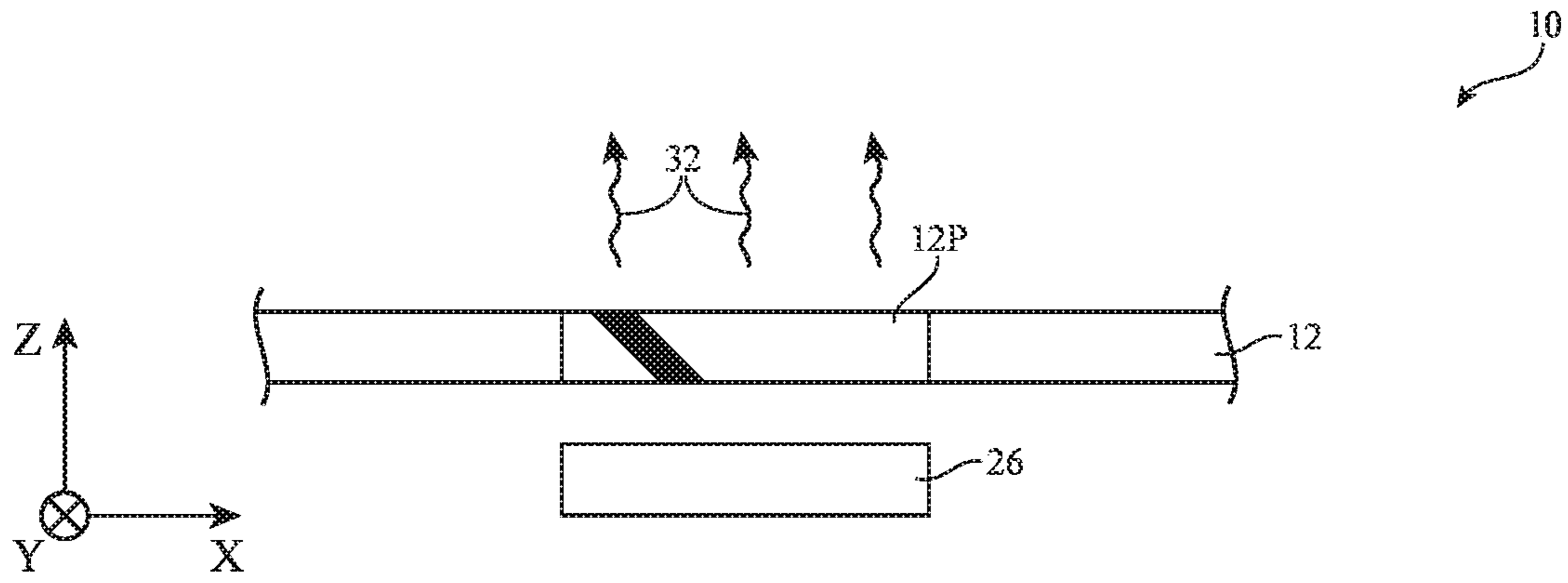


FIG. 6

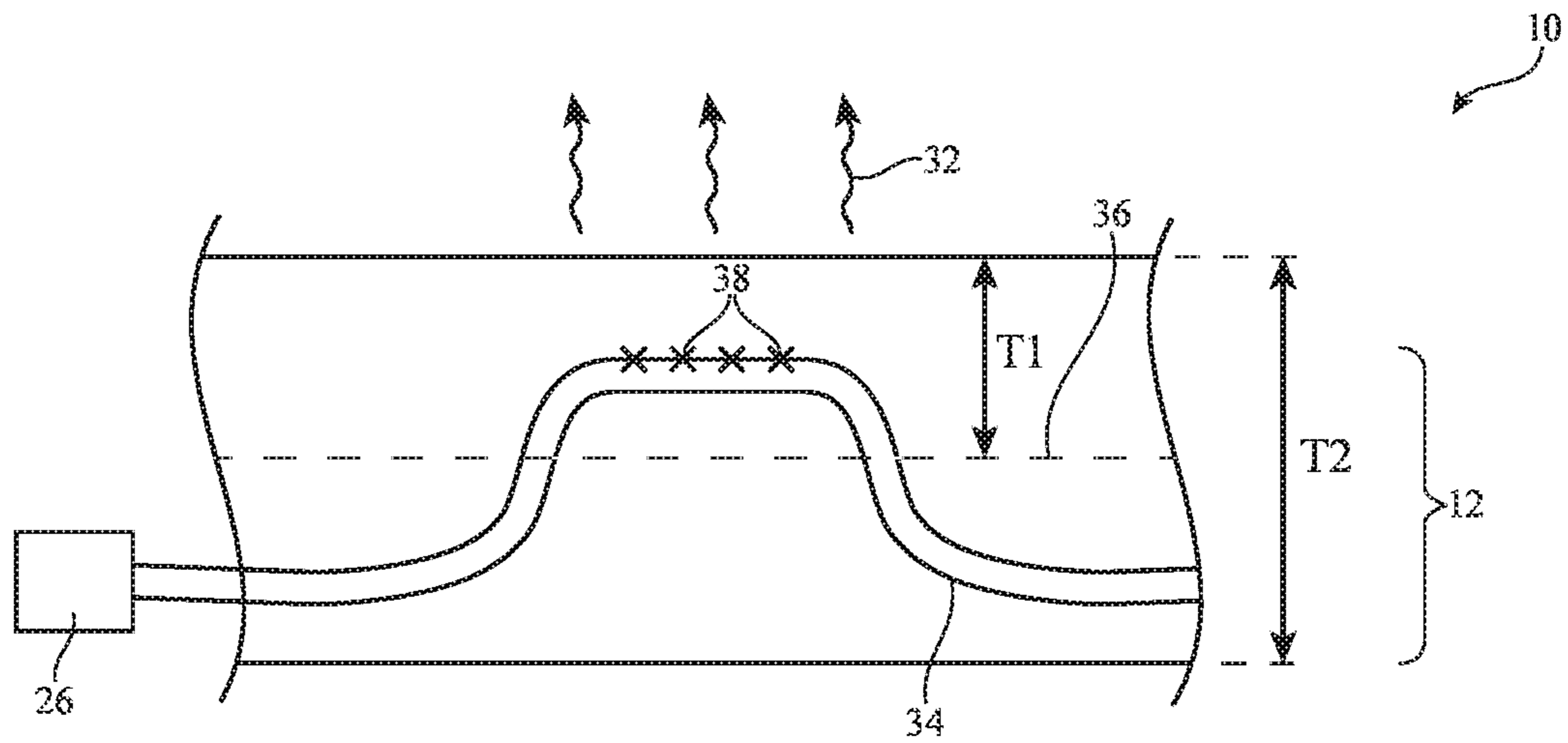


FIG. 7



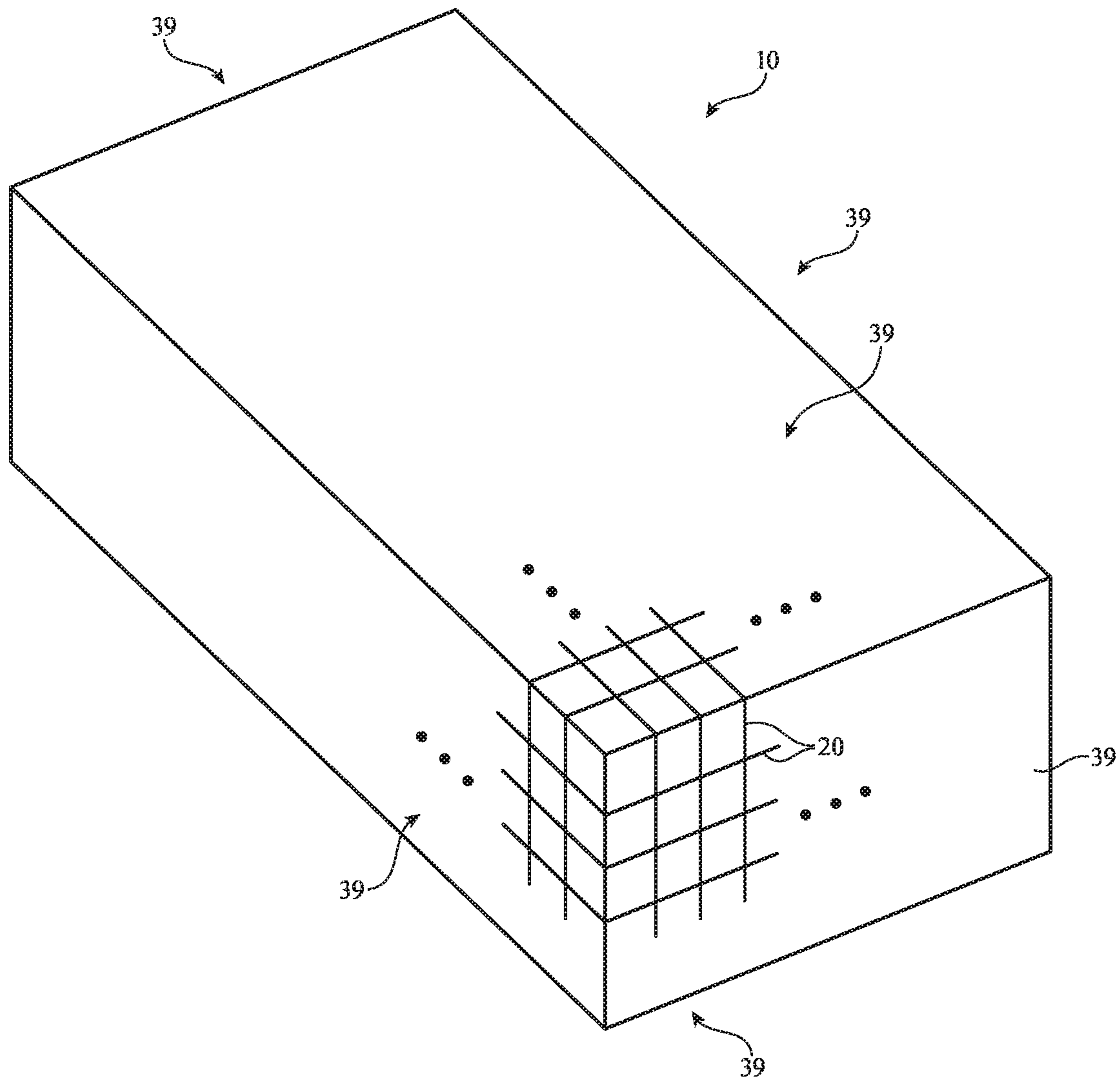


FIG. 8

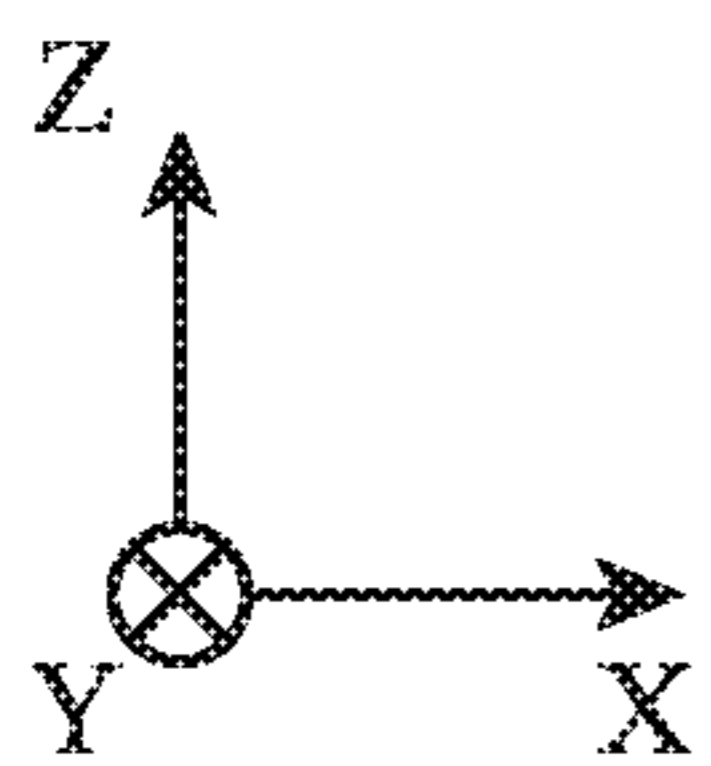
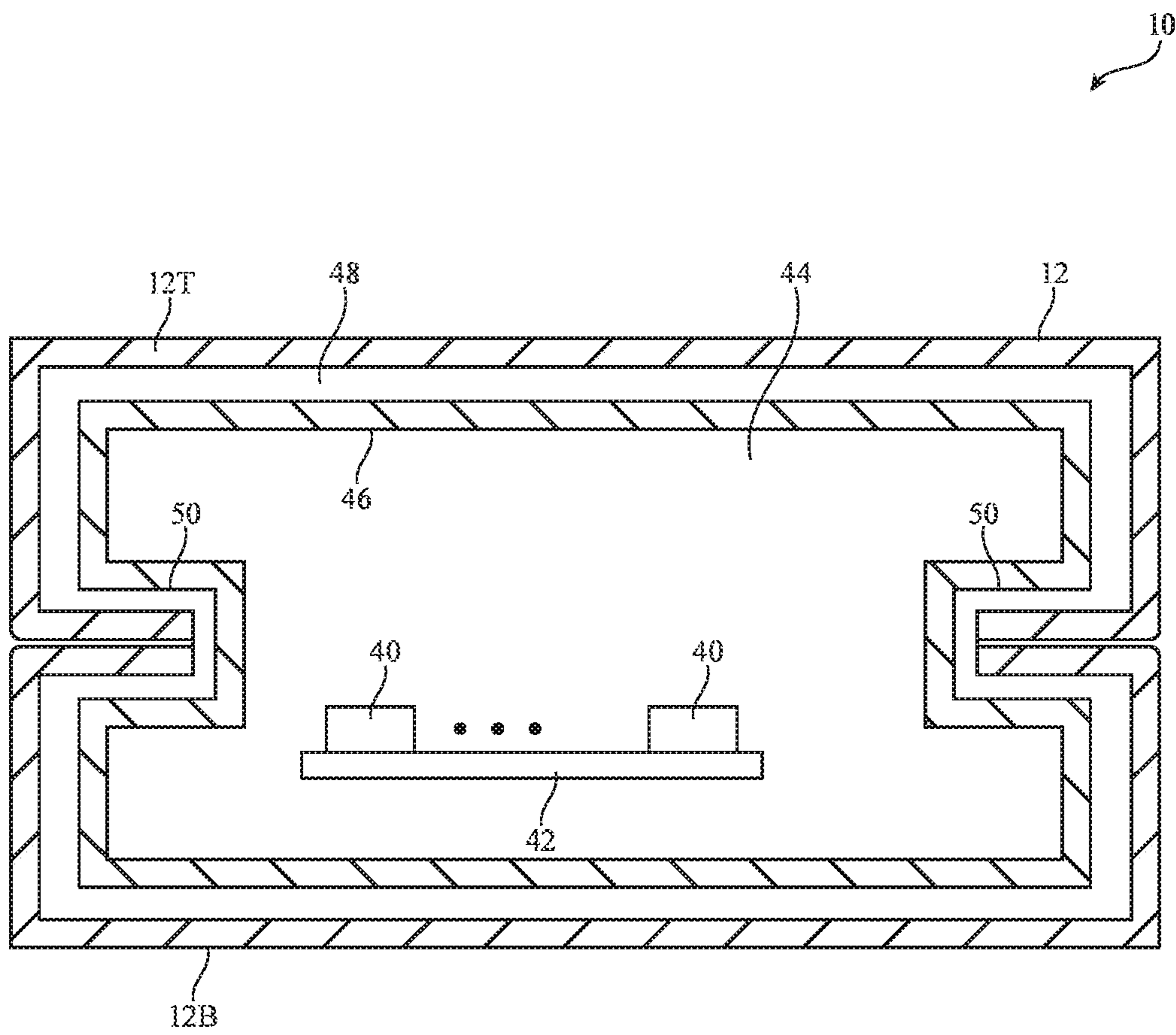


FIG. 9

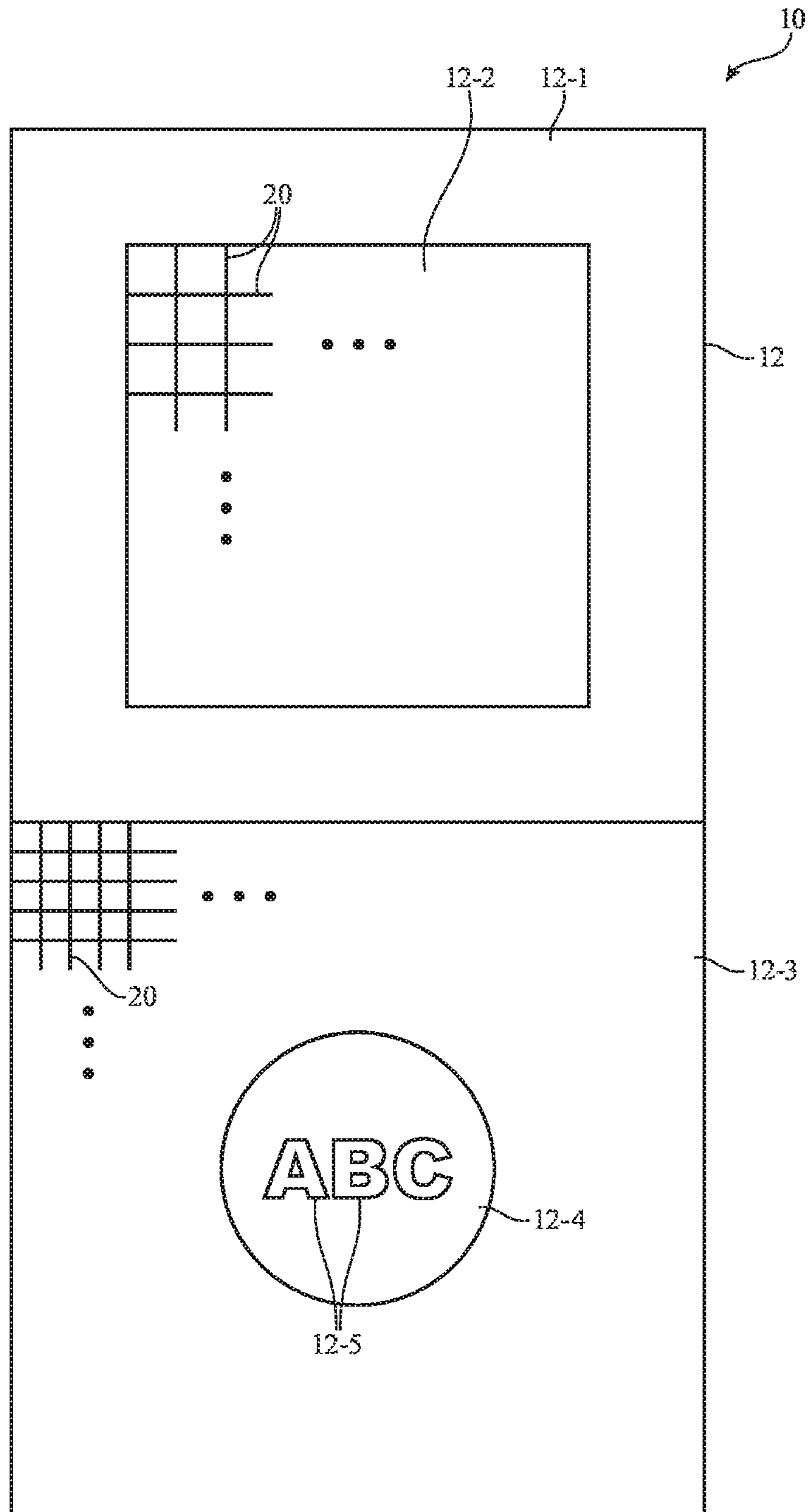


FIG. 10

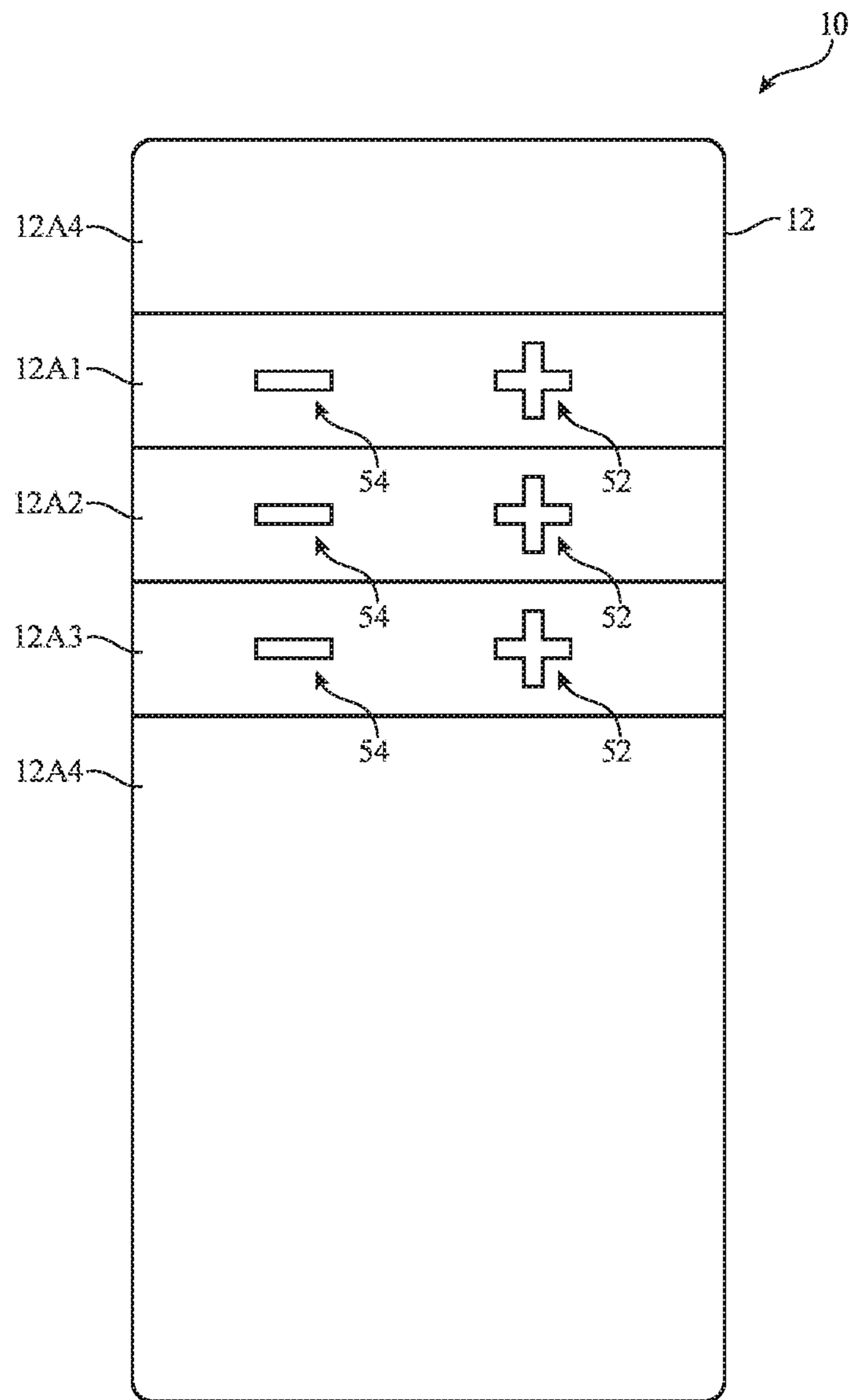


FIG. 11

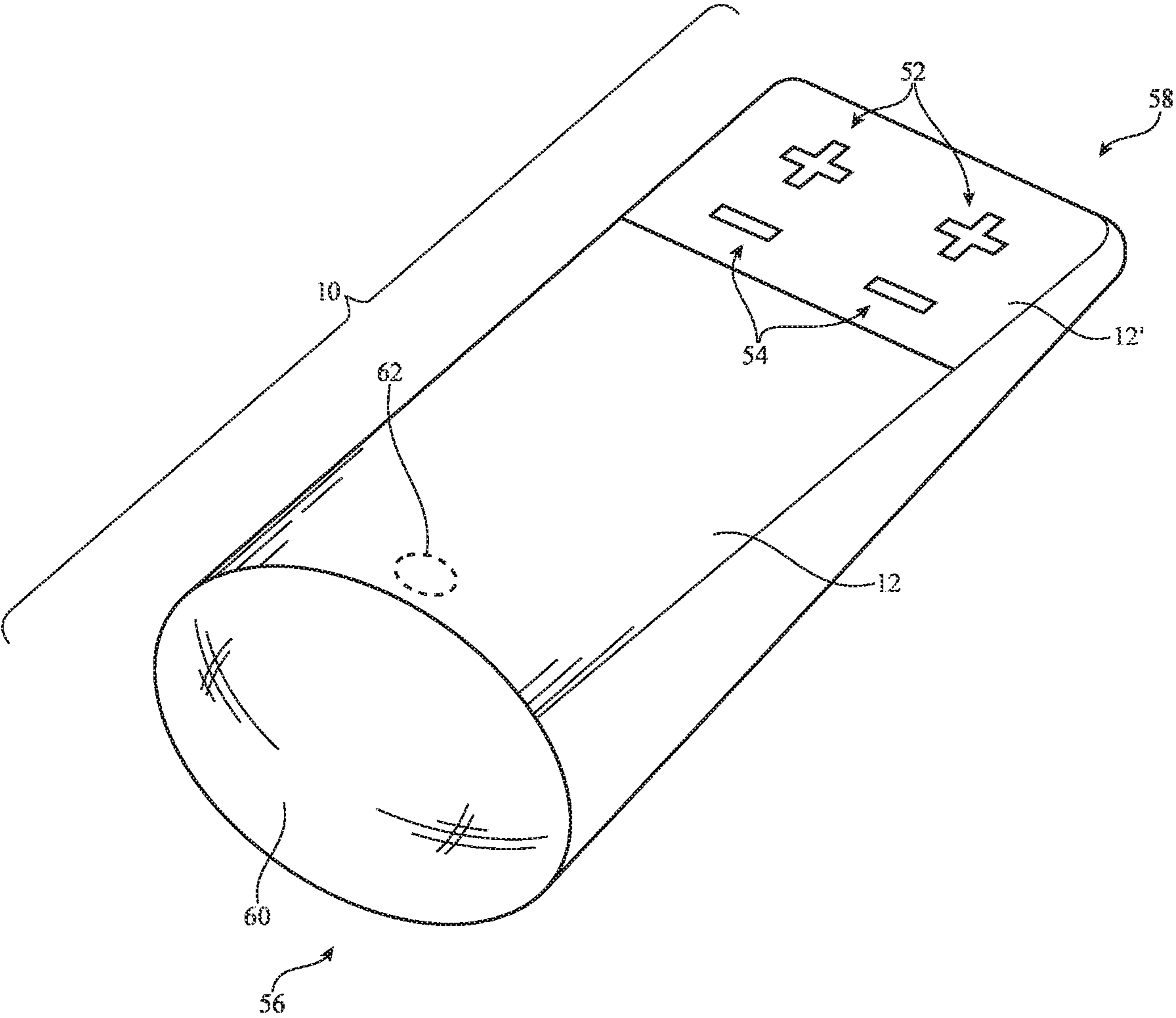


FIG. 12

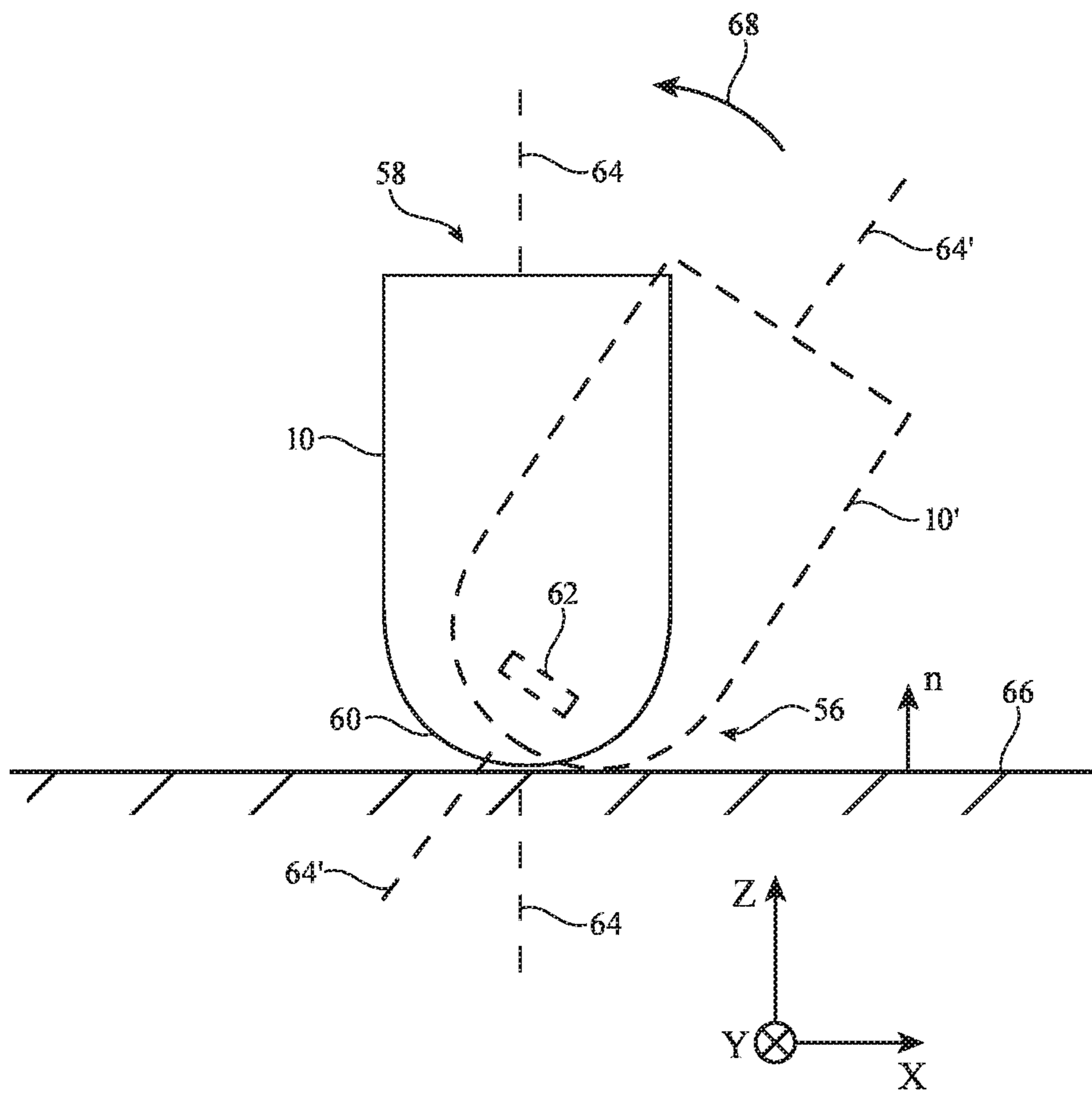
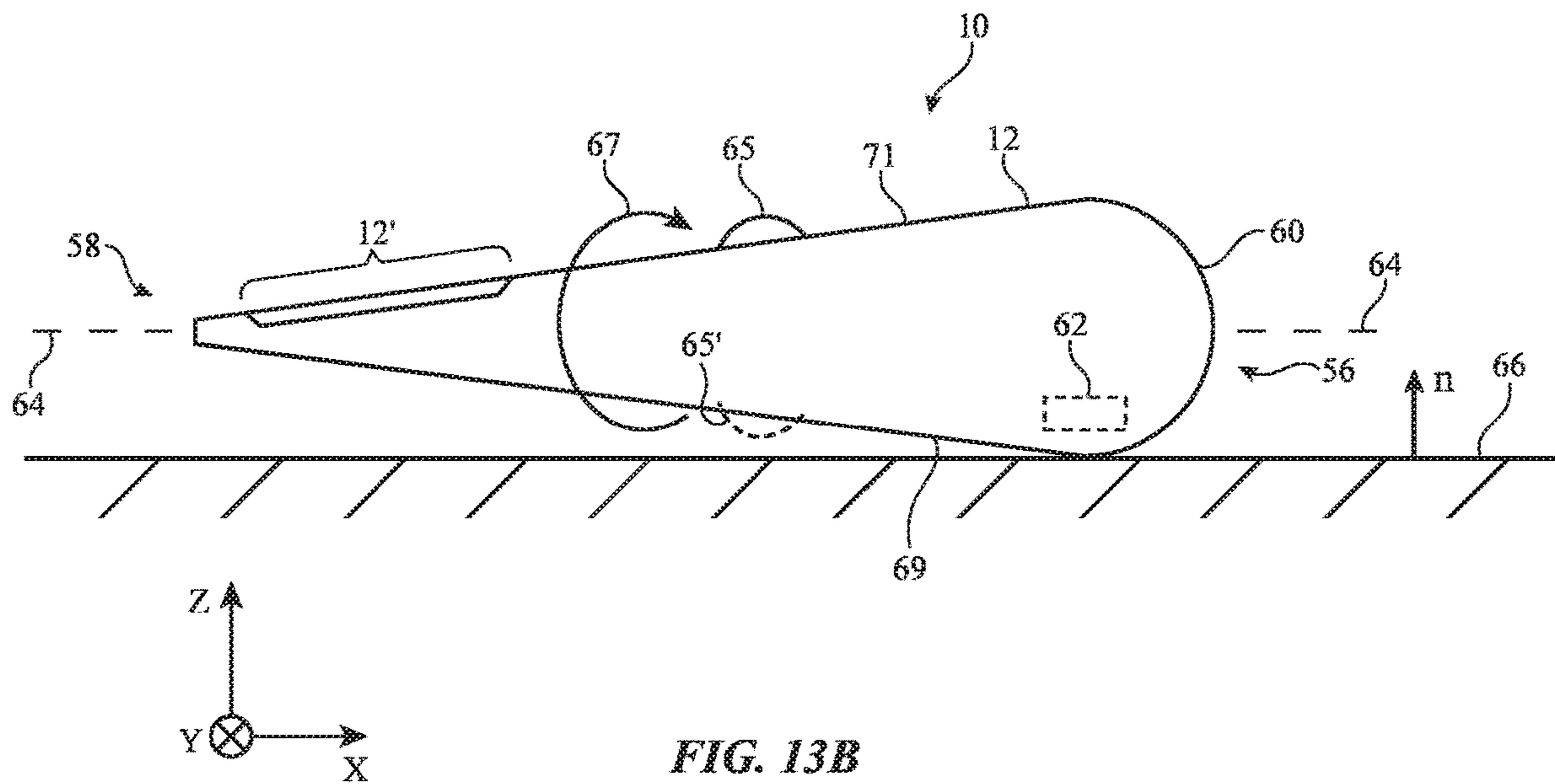


FIG. 13A



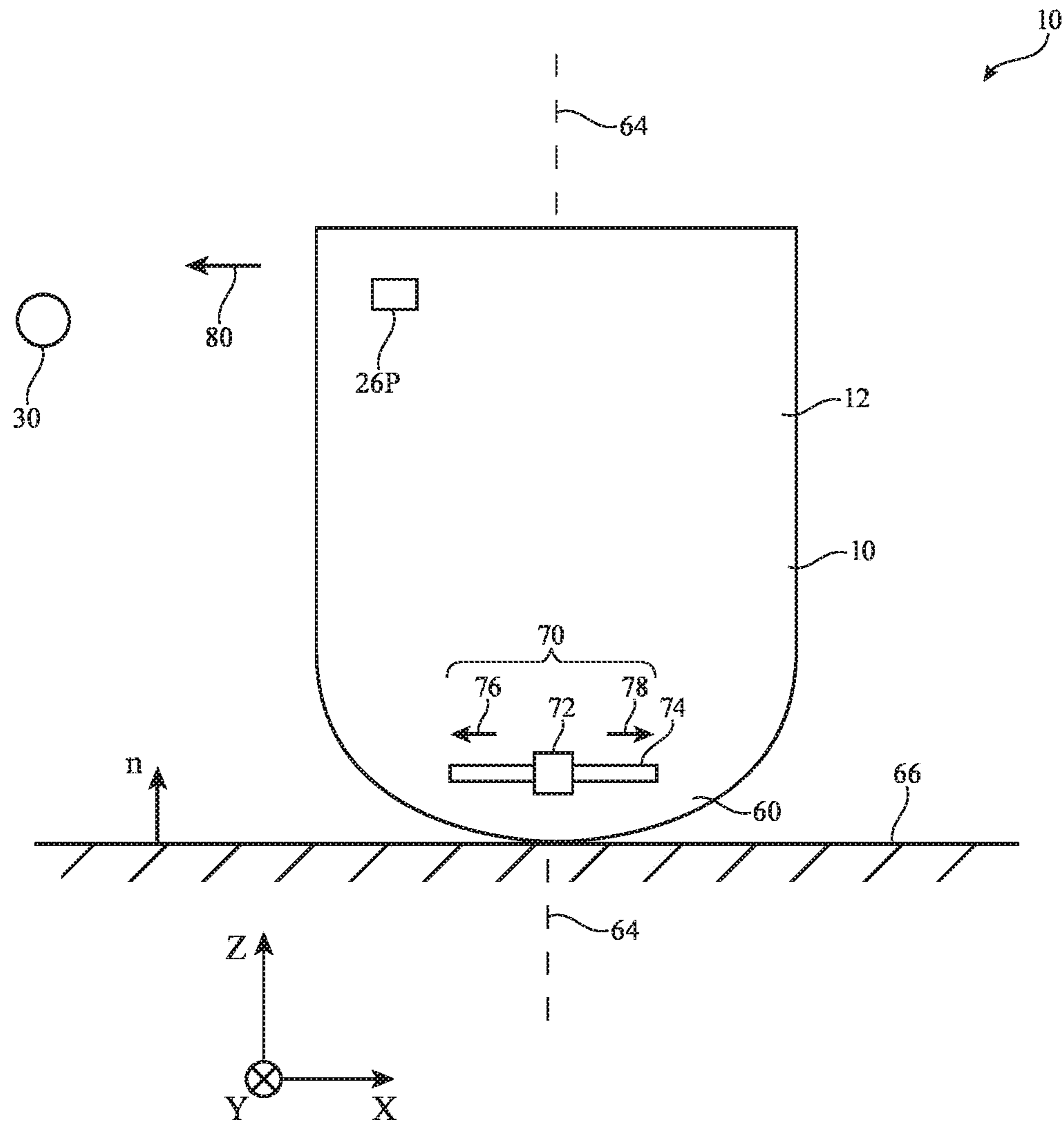
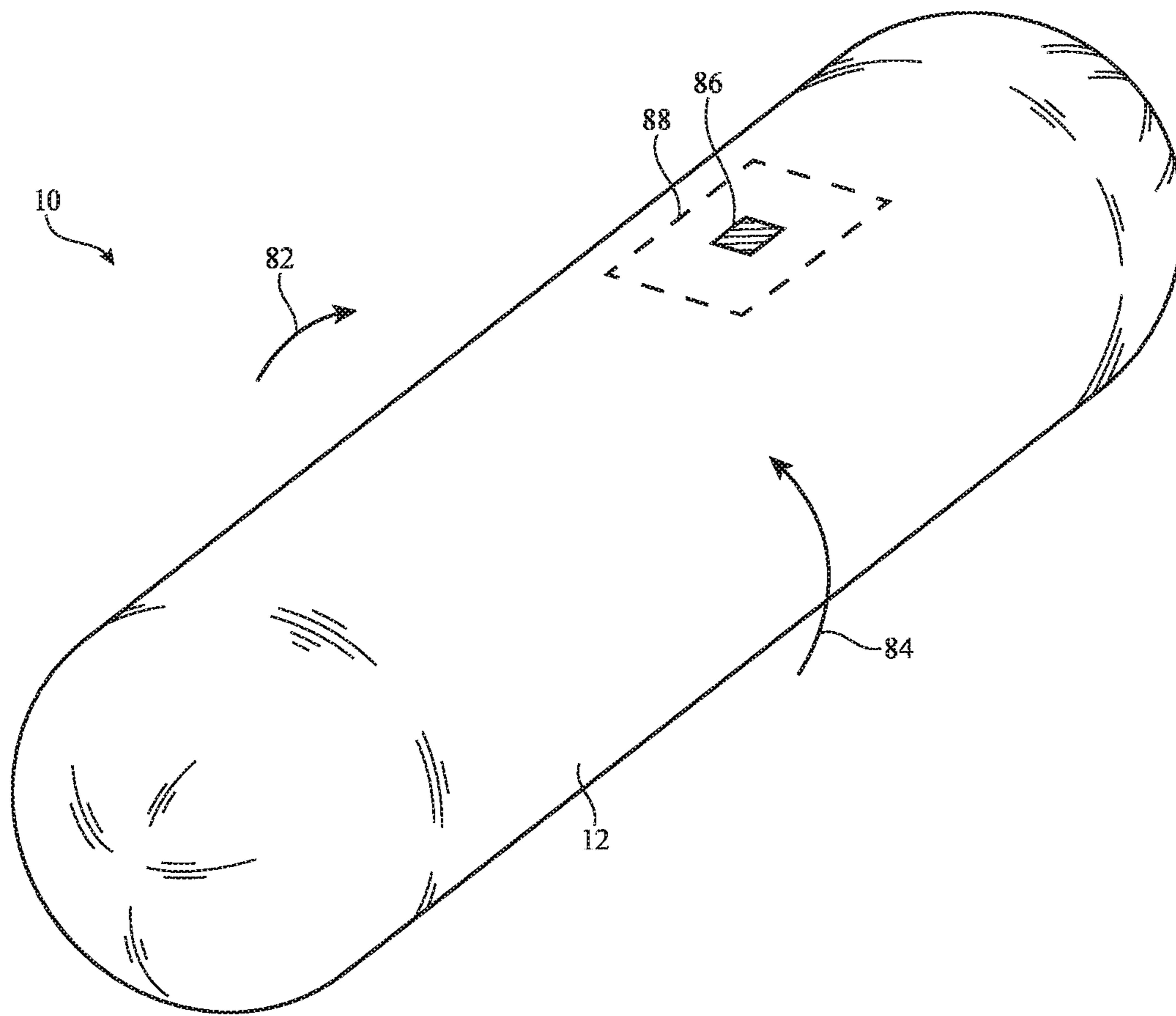


FIG. 14





**FIG. 15**

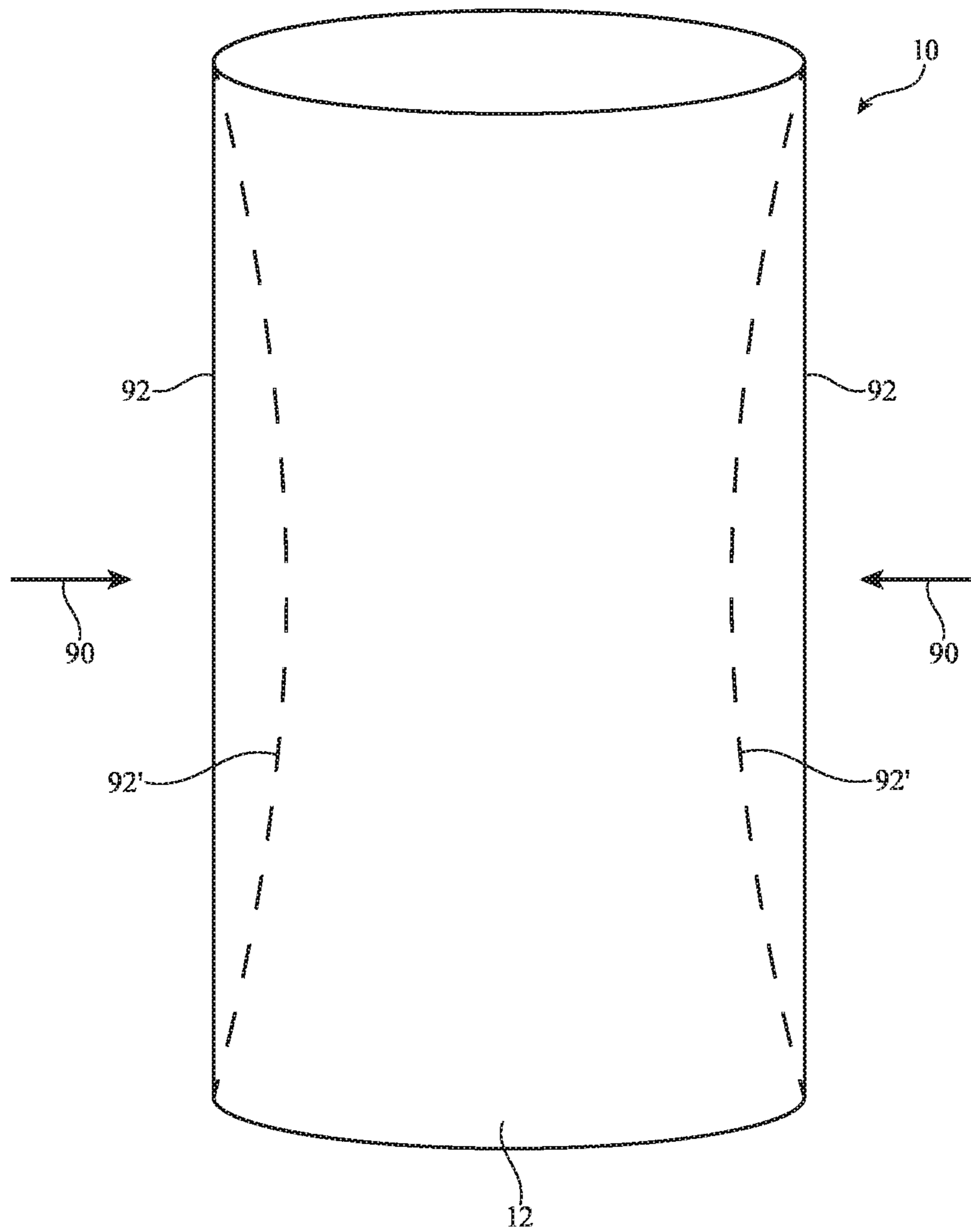


FIG. 16

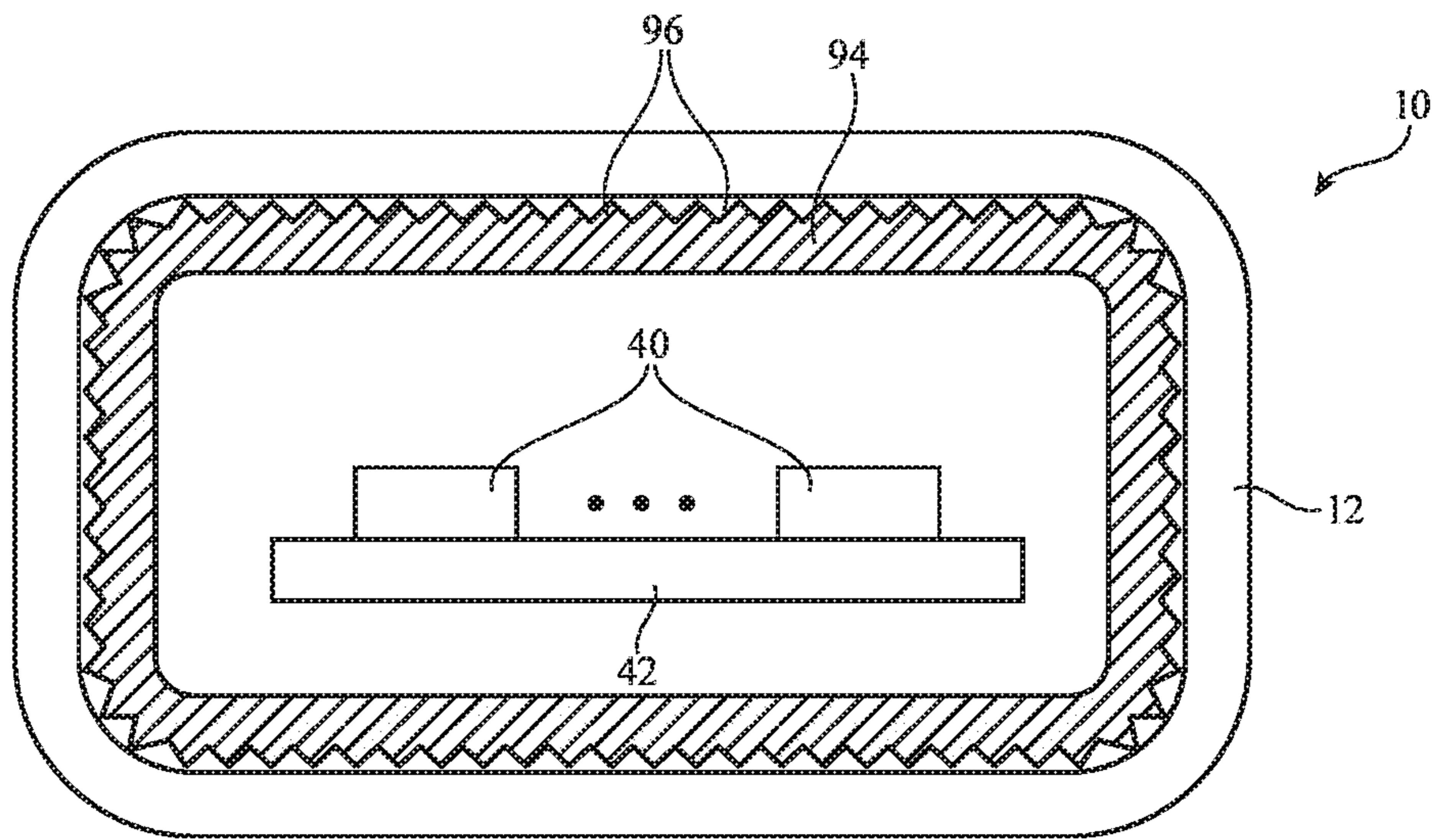


FIG. 17

## 1

## FABRIC CONTROL DEVICE

This application is a continuation of U.S. patent application Ser. No. 17/112,323, filed Dec. 4, 2020, which is a continuation of U.S. patent application Ser. No. 16/871,531, filed May 11, 2020, now U.S. Pat. No. 10,883,203, which is a continuation of U.S. patent application Ser. No. 16/584,005, filed Sep. 26, 2019, now U.S. Pat. No. 10,689,783, which is a continuation of U.S. patent application Ser. No. 16/207,407, filed Dec. 3, 2018, now U.S. Pat. No. 10,465,314, which is a continuation of U.S. patent application Ser. No. 15/940,842, filed Mar. 29, 2018, now U.S. Pat. No. 10,156,029, which claims the benefit of provisional patent application No. 62/519,386, filed Jun. 14, 2017, which are hereby incorporated by reference herein in their entireties.

## FIELD

This relates generally to fabric-based items and, more particularly, to fabric-based items such as electronic devices with fabric surfaces.

## BACKGROUND

It may be desirable to form bags, furniture, clothing, electronic devices, and other items using materials such as fabric. If care is not taken, however, fabric-based items such as these may not offer desired features. For example, a fabric-based electronic device may be awkward to use, may not have an attractive appearance, or may not offer desired functionality.

## SUMMARY

A fabric-based item may include a housing that is covered in fabric. The fabric may include conductive strands that form touch sensor circuitry. The fabric may include portions that are patterned differently and that have different properties. For example, the fabric may include areas that transmit more light than other areas or are more opaque than other areas or may include areas that are smoother than other areas or that are coarser than other areas. Button labels and other features may be formed by weaving or otherwise intertwining strands of material in the fabric with desired patterns, by processing fabric through application of heat and using other processing techniques, and by applying ink or other materials.

Areas of the fabric such as areas with enhanced light transmission, button labels, distinct textures, or other attributes may overlap input circuitry such as button switches, touch sensor circuits, force sensors, proximity sensors, and other sensing circuitry. The fabric-based item may include control circuitry that gathers user input from the input circuitry and wireless communications circuitry that the control circuitry uses to transmit remote control commands and other wireless signals in response information from the input circuitry. Remote control commands may be used to remotely control electronic equipment.

In some configurations, the fabric-based item may have a weight that is located in the housing to orient the housing in a desired direction when the housing rests on a surface. A movable weight may tilt the housing in response to proximity sensor signals or other input. Portions of the fabric may overlap light-emitting components and optical fiber configured to emit light.

## BRIEF DESCRIPTION OF THE DRAWINGS

FIG. 1 is a schematic diagram of an illustrative fabric-based item in accordance with an embodiment.

## 2

FIG. 2 is a side view of illustrative woven fabric in accordance with an embodiment.

FIG. 3 is a top view of illustrative knit fabric in accordance with an embodiment.

FIG. 4 is a diagram of an illustrative touch sensor formed using fabric in accordance with an embodiment.

FIG. 5 is a cross-sectional side view of an illustrative fabric layer overlapping electrical components in accordance with an embodiment.

FIG. 6 is a cross-sectional side view of an illustrative fabric layer that is overlapping a light-based component in accordance with an embodiment.

FIG. 7 is a cross-sectional side view of an illustrative fabric layer with an optical fiber that is used in emitting light from a portion of the fabric layer in accordance with an embodiment.

FIG. 8 is a perspective view of a fabric-based item such as a remote control device or other electronic device covered with fabric in accordance with an embodiment.

FIG. 9 is a cross-sectional side view of an illustrative electronic device with a fabric covering having hidden seams in accordance with an embodiment.

FIGS. 10 and 11 are top views of illustrative fabric-based items such as a fabric-covered remote controls or other electronic devices with fabric coverings in accordance with embodiments.

FIG. 12 is a perspective view of an illustrative fabric-based item such as a remote control or other electronic device with fabric covering in accordance with an embodiment.

FIGS. 13A and 13B are side views of illustrative fabric-based items such as remote controls or other electronic devices showing how the items may have self-righting features in accordance with an embodiment.

FIG. 14 is a cross-sectional side view of an illustrative fabric-based item with a movable weight system that can be used to dynamically tilt the item in a desired direction in accordance with an embodiment.

FIG. 15 is a perspective view of an illustrative self-righting fabric-based item with a cylindrical housing surface in accordance with an embodiment.

FIG. 16 is a side view of an illustrative fabric-based item with deformable housing walls in accordance with an embodiment.

FIG. 17 is a cross-sectional side view of an illustrative fabric-based item having a fabric-covered housing structure with ribs or other protrusions that form a textured surface in accordance with an embodiment.

## DETAILED DESCRIPTION

Items such as item 10 of FIG. 1 may be based on fabric. Item 10 may be an electronic device or an accessory for an electronic device such as a laptop computer, a computer monitor containing an embedded computer, a tablet computer, a cellular telephone, a media player, or other handheld or portable electronic device, a smaller device such as a wrist-watch device, a pendant device, a headphone or ear-piece device, a device embedded in eyeglasses or other equipment worn on a user's head, or other wearable or miniature device, a television, a computer display that does not contain an embedded computer, a gaming device, a remote control, a navigation device, an embedded system such as a system in which fabric-based item 10 is mounted in a kiosk, in an automobile, airplane, or other vehicle, other electronic equipment, or may be equipment that implements the functionality of two or more of these devices. If desired,

item **10** may be a removable external case for electronic equipment, may be a strap, may be a wrist band or head band, may be a removable cover for a device, may be a case or bag that has straps or that has other structures to receive and carry electronic equipment and other items, may be a necklace or arm band, may be a wallet, sleeve, pocket, or other structure into which electronic equipment or other items may be inserted, may be part of a chair, sofa, or other seating (e.g., cushions or other seating structures), may be part of an item of clothing or other wearable item (e.g., a hat, belt, wrist band, headband, sock, glove, shirt, pants, etc.), or may be any other suitable fabric-based item.

Item **10** may include intertwined strands of material that form fabric **12**. Fabric **12** may form all or part of a housing wall or other layer in an electronic device, may form an outer covering for a housing wall structure, may form internal structures in an electronic device, or may form other fabric-based structures. Item **10** may be soft (e.g., item **10** may have a fabric surface that yields to a light touch), may have a rigid feel (e.g., the surface of item **10** may be formed from a stiff fabric), may be coarse, may be smooth, may have ribs or other patterned textures, and/or may be formed as part of a device that has portions formed from non-fabric structures of plastic, metal, glass, crystalline materials, ceramics, or other materials.

The strands of material in fabric **12** may be single-filament strands (sometimes referred to as fibers or monofilaments), may be yarns or other strands that have been formed by intertwining multiple filaments (multiple monofilaments) of material together, or may be other types of strands (e.g., tubing). Monofilaments for fabric **12** may include polymer monofilaments and/or other insulating monofilaments and/or may include bare wires and/or insulated wires. Monofilaments formed from polymer cores with metal coatings and monofilaments formed from three or more layers (cores, intermediate layers, and one or more outer layers each of which may be insulating and/or conductive) may also be used.

Yarns in fabric **12** may be formed from polymer, metal, glass, graphite, ceramic, natural materials as cotton or bamboo, or other organic and/or inorganic materials and combinations of these materials. Conductive coatings such as metal coatings may be formed on non-conductive material. For example, plastic yarns and monofilaments in fabric **12** may be coated with metal to make them conductive. Reflective coatings such as metal coatings may be applied to make yarns and monofilaments reflective. Yarns may be formed from a bundle of bare metal wires or metal wire intertwined with insulating monofilaments (as examples).

Strands of material may be intertwined to form fabric **12** using intertwining equipment such as weaving equipment, knitting equipment, or braiding equipment. Intertwined strands may, for example, form woven fabric, knit fabric, braided fabric, etc. Conductive strands and insulating strands may be woven, knit, braided, or otherwise intertwined to form contact pads that can be electrically coupled to conductive structures in item **10** such as the contact pads of an electrical component. The contacts of an electrical component may also be directly coupled to an exposed metal segment along the length of a conductive yarn or monofilament.

Conductive and insulating strands may also be woven, knit, or otherwise intertwined to form conductive paths. The conductive paths may be used in forming signal paths (e.g., signal buses, power lines, etc.), may be used in forming part of a capacitive touch sensor electrode, a resistive touch sensor electrode, or other input-output device, or may be

used in forming other patterned conductive structures. Conductive structures in fabric **12** may be used in carrying power signals, digital signals, analog signals, sensor signals, control signals, data, input signals, output signals, or other suitable electrical signals.

Item **10** may include additional mechanical structures **14** such as polymer binder to hold strands in fabric **12** together, support structures such as frame members, housing structures (e.g., an electronic device housing), and other mechanical structures.

Item **10** may include circuitry **16**. Circuitry **16** may include electrical components that are coupled to fabric **12**, electrical components that are housed within an enclosure formed by fabric **12** and/or an enclosure formed using other housing structures such as housing walls formed from plastic, metal, glass, ceramic, or other materials, electrical components that are attached to fabric **12** using welds, solder joints, adhesive bonds (e.g., conductive adhesive bonds such as anisotropic conductive adhesive bonds or other conductive adhesive bonds), crimped connections, or other electrical and/or mechanical bonds. Circuitry **16** may include metal structures for carrying current, electrical components such as integrated circuits, light-emitting diodes, sensors, controller circuitry for applying currents and/or magnetic fields to materials, and other electrical devices. Control circuitry in circuitry **16** (e.g., control circuitry formed from one or more integrated circuits such as microprocessors, microcontrollers, application-specific integrated circuits, digital signal processors, etc.) may be used to gather information from user input circuitry, sensing circuitry such as touch sensors, force sensors, proximity sensors, and other sensing circuitry, and other input-output circuits. The control circuitry may be used to control the operation of item **10** based on this gathered information and/or based on other information by controlling electrically controllable (electrically adjustable) components in circuitry **16**. The control circuitry may have wireless communications circuitry and other communications circuitry and may be used in supporting communications with item **18** and/or other devices.

Item **10** may interact with electronic equipment or other additional items **18**. Items **18** may be attached to item **10** or item **10** and item **18** may be separate items that are configured to operate with each other (e.g., when one item is a case and the other is a device that fits within the case, when one item such as item **10** is a remote control and another item such as item **18** is an electronic device that is controlled by the remote control such as a set-top box, television, computer, gaming unit, speaker, or other electronic equipment that is controlled remotely, etc.). Circuitry **16** may include wireless communications circuitry such as antennas, wireless radio-frequency transceivers (e.g., transceivers operating at 2.4 GHz, 5 GHz, and/or other wireless communications frequencies) and other electrical components for supporting wireless communications with item **18**. The wireless communications circuitry may include communications circuitry based on infrared transmitters such as infrared light-emitting diodes or lasers for transmitting infrared commands to electronic equipment such as item **18**. Item **18** may also interact with item **10** using a wired communications link or other connection that allows information to be exchanged.

In some situations, item **18** may be an electronic device such as a cellular telephone, computer, or other portable electronic device and item **10** may form a cover, case, bag, or other structure that receives the electronic device in a pocket, an interior cavity, or other portion of item **10**.

## 5

In other situations, item **18** may be a wrist-watch device or other electronic device and item **10** may be a strap or other fabric-based item that is attached to item **18** (e.g., item **10** and item **18** may be used together to form a fabric-based item such as a wristwatch with a strap). Item **10** may also be a cellular telephone, tablet computer, wearable device, voice-controlled speaker, or other equipment.

In still other situations, item **10** may be an electronic device such as a fabric-covered remote control device (e.g., a fabric-covered remote control that has a majority of its surface or other suitable fraction of its surface covered with fabric **12**). The remote control device may be used in controlling external electronic equipment (e.g., item **18**).

Fabric **12** may be used in forming a remote control device or other electronic device. The fabric may serve as a covering layer for the housing of a remote control or other device and may cover one or more user input areas associated with virtual buttons, switches, touch-sensitive buttons labeled with symbols, track pad areas formed from two-dimensional touch sensors, or other user input components (e.g., sensors for detecting user touch input, proximity input, and/or force input). In these situations, control circuitry in item **10** may use wireless communications circuitry in item **10** to communicate wirelessly with item **18** (e.g., to wirelessly transmit control commands to item **18** such as channel change commands, media playback adjustment commands such as fast forward and reverse playback commands, track navigation commands, power on/off commands, volume change commands, media search commands, etc.). Item **18** in this scenario may be electronic equipment that is wirelessly controlled by item **10** such as a set-top box, speaker, television, computer, gaming unit, etc.

The fabric that makes up item **10** may be formed from strands that are intertwined using any suitable intertwining equipment. With one suitable arrangement, which may sometimes be described herein as an example, fabric **12** may be woven fabric formed using a weaving machine. In this type of illustrative configuration, fabric may have a plain weave, a basket weave, a satin weave, a twill weave, or variations of these weaves, may be a three-dimensional woven fabric, or may be other suitable fabric. With other suitable arrangements, fabric **12** is knit or braided. If desired, signal paths formed from conductive yarns and monofilaments (e.g., insulated and bare wires) may be used to route signals in item **10** and/or item(s) **18**.

A cross-sectional side view of illustrative woven fabric **12** is shown in FIG. 2. As shown in FIG. 2, fabric **12** may include strands **20** such as warp strands **20A** and weft strands **20B**. In the illustrative configuration of FIG. 2, fabric **12** has a single layer of woven strands **20**. Multi-layer fabric constructions may be used for fabric **12** if desired.

As shown in FIG. 3, fabric **12** may be a knit fabric. In the illustrative configuration of FIG. 3, fabric **12** has a single layer of knit strands **20** that form horizontally extending rows of interlocking loops (courses **23**) and vertically extending wales **24**. Other types of knit fabric may be used in item **10**, if desired.

Fabric-based item **10** may include non-fabric materials (e.g., structures such as structures **14** that are formed from plastic, metal, glass, ceramic, crystalline materials such as sapphire, etc.). These materials may be formed using molding operations, extrusion, machining, laser processing, and other fabrication techniques and may be used in forming housing structures, internal mounting structures, buttons, portions of display components and other electronic components, and/or other structures in item **10**. In some configurations, some or all of fabric-based item **10** may include

## 6

one or more layers of material. The layers in item **10** may include layers of polymer, metal, glass, fabric, adhesive, crystalline materials, ceramic, substrates on which components have been mounted, patterned layers of material, layers of material containing patterned metal traces, thin-film devices such as transistors, and/or other layers.

As shown in FIG. 4, item **10** may include a sensor such as a touch sensor. The touch sensor may have electrodes formed from metal electrodes (e.g., patterned metal traces on a printed circuit or other substrate), transparent conductive electrodes (e.g., indium tin oxide electrodes), and/or other touch sensor electrodes. In the illustrative configuration of FIG. 4, item **10** includes a touch sensor formed from electrodes in fabric **12** such as conductive strands **20** in fabric **12**. These conductive strands may be coupled to input circuitry such as touch sensor circuitry **22** (e.g., touch sensor circuitry in circuitry **16** of FIG. 1) or other sensing circuitry. For example, fabric **12** may include conductive weft strands **20A** and overlapping orthogonally oriented warp strands **20B**. These conductive strands form column and row electrodes in an intersecting grid (electrode array). During operation, a user's finger or other external object (e.g. a stylus, etc.) may be present at the intersection between a horizontal and vertical electrode and can perturb capacitive coupling between these electrodes. Touch sensor control circuitry such as touch sensor circuitry **22** may supply strands **20B** (or strands **20A**) with drive signals and may gather and analyze corresponding sense signals from warp strands **20A** (or strands **20B**). By processing the touch sensor signals from touch sensor circuitry **22** and/or other control circuitry in item **10**, item **10** can detect capacitance variations due to the presence of a user's finger or other external object at an intersection between a weft and warp strand, thereby allowing item **10** to determine the location of a touch input.

FIG. 5 is a cross-sectional side view of a portion of the surface of an illustrative fabric-based item. In the illustrative configuration of FIG. 5, item **10** includes structures **24** such as sensing circuitry and housing structures. Structures **24** may include fabric **12** (e.g., a fabric covering layer that forms the exterior surface of item **10**). Fabric **12** may include strands such as warp strands **20B** and weft strands **20A**. If desired, fabric **12** may include a grid of conductive strands for forming a touch sensor such as the two-dimensional touch sensor of FIG. 4 or other suitable touch sensor. Fabric **12** may overlap components **26** and internal structures **28**. Internal structures **28** may be housing structures such as housing walls or supporting housing structures formed from rigid polymer, foam or other soft polymer (e.g., an elastomeric material), metal, ceramic, glass, etc. Components **26** may be electrodes for a touch sensor or a capacitive proximity sensor, may include light-based components such as light-emitting diodes and/or light sensors (e.g., optical proximity sensors), may include haptic output devices, may include force sensors, and/or may include other electrical components or circuitry **16**.

Light-based devices in components **26** may include light-emitting diodes, lasers, and other light-emitting components that produce light. The emitted light may serve as illumination for a camera or other sensor, may serve as decorative trim, may serve as a visual status indicator (e.g., a power on/off indicator light), may illuminate a key label (button label) or other symbol, may be used in displaying images (e.g., in configuration in which components **26** form an array of pixels in a display), may be used as part of an optical proximity sensor (e.g., in a sensor that detects reflected light such as infrared light to determine whether external objects

such as user body part or other object **30** is within the vicinity of item **10** (e.g., whether an external object is within a predetermined distance of item **10**), or may be used in other light-based circuitry for item **10**.

If desired, optical touch sensors may operate through fabric **12**. In this type of configuration, components **26** may include an array of light-emitting devices such as an array of light-emitting diodes and may include an array of light detectors (e.g., photodiodes). The light-emitting array and the light detecting array may each extend over some or all of the surface of fabric **12** (e.g., in the X-Y plane in the example of FIG. **5**). When a user's finger or other external object (see, e.g., finger **30**) touches fabric **12**, light that has been emitted by one of the light-emitting devices will be detected by a nearby light detector, thereby allowing the location of the external object to be detected (e.g., allowing the XY location of the external object on fabric **12** to be detected). If desired, fabric **12** and/or strain gauges in components **26** may be used in forming a force sensor under one or all of the surfaces of item **10** that are covered with fabric **12**. Optical proximity sensors based on light emitters and light detectors may also operate through fabric **12**.

Capacitive proximity sensors may use electrodes formed from conductive strands or may use electrodes formed from metal traces on a printed circuit in components **26**. Capacitive proximity sensors or optical proximity sensors may be used to detect hand swipes and other user gestures.

Haptic devices in components **26** may be used to provide a user with tactile feedback. Haptic devices may be based on electromagnetic actuators (e.g., vibrators, linear solenoids that move to produce a clicking sensation, piezoelectric actuators, and/or other haptic devices). Haptic output may be used, for example, to confirm to a user that a user has pressed a button (e.g., a virtual button) on the surface of fabric **12**. A virtual button may be created, for example, by using light sources in components **26** to emit light (e.g., a button trim pattern, a glyph such as an alphanumeric key label or other symbol, etc.) while monitoring for touch input in the region associated with the emitted light (e.g., in the area associated with the virtual button). If touch input in the virtual button area is detected, tactile feedback may be provided using an overlapping haptic device so that a user is reassured that the virtual button press has been detected by circuitry **16**. In general, haptic output may be used to provide any suitable tactile output for a user (e.g., to provide a user with an alert, to serve as a vibrating feedback when item **10** is being used as a game controller or pointing device, to provide button press feedback, etc.).

In some configurations, portions of fabric **12** such as illustrative portion **12P** of FIG. **6** may be configured to facilitate light transmission and/or to help modify light **32** that has been emitted from components **26** and/or that is being detected by components **26**. In the example of FIG. **6**, fabric **12** overlaps component **26**. Component **26** may, as an example, be a light-emitting device such as a light-emitting diode, an array of light-emitting diodes or other structures forming a status indicator light or forming a pixelated display (e.g., a pixel array in the X-Y plane). In portions of fabric **12** other than portion **12P**, fabric **12** may be opaque to hide internal components in item **10** from view. In portions of fabric **12** such as portion **12P**, fabric **12** may be transparent (e.g., hazy and therefore translucent or clear with a low haze) or may otherwise be less opaque (more light transmissive and therefore more transparent) than in the rest of fabric **12**. Portions such as portion **12P**, which may sometimes be referred to as optical windows or light-transmitting windows, may be formed by heat treating a localized area of

fabric **12** (e.g., to melt strands **20** together to form portion **12P**), by selectively incorporating clear polymer binder or other material into portion **12P**, by forming portion **12P** from a different type of strand (e.g., clear strands) than the other portions of fabric **12**, and/or by otherwise processing fabric **12** to form portion **12P**. If desired, portions such as portion **12P** may be heat treated, chemically treated, impregnated with polymer or other materials, and/or otherwise processed to form other type of features in fabric **12** (e.g., features with low surface roughness, features that have the pattern of a logo or other visible item), etc. In these configurations, portion **12P** need not be transparent.

In the example of FIG. **7**, light **32** has been coupled into optical light guide **34** (e.g., a strand such as a glass optical fiber, a strand such as a polymer optical fiber, a strand formed from other clear structures, etc.) from a light source (e.g., an electrical component **26** such as a light-emitting diode or other light-emitting component). Light guide **34** may have light-scattering structures **38** such as recesses and/or protrusions that scatter light from light guide (fiber) **34** outwardly as light **32** (e.g., for a status indicator light, for an illuminated key symbol, for a pixel in a pixel array, etc.). Control circuitry in item **10** may adjust the amount of light that is emitted from component **26** to adjust the brightness of emitted light **32**. Light guide **34** may be selectively incorporated into fabric **12** in desired locations (e.g., when the thickness of fabric **12** is thickness **T1** as shown by line **36**) or may be embedded into fabric **12** (e.g., when fabric **12** has thickness **T2**). If desired, optical light guide **34** may be a warp or weft strand in fabric **12**.

FIG. **8** shows how strands **20** may wrap around some or all of the faces of an illustrative electronic device. In general, any suitable fraction of the total surface area of item **10** (e.g., the total surface area of the housing of item **10**) may be covered with fabric **12** formed from strands **20**. For example, the majority (>50%) of the surface may be covered with fabric to provide item **10** with a substantially fabric-covered appearance and feel, at least 25% of the surface may be covered with fabric, at least 50% of the surface may be covered with fabric, at least 75% of the surface may be covered, 20-80% of the surface may be covered, 50-95% of the surface may be covered, at least 85% of the surface may be covered, at least 95% of the surface may be covered, less than 90% of the surface may be covered, less than 60% of the surface may be covered, and/or other suitable fractions of the surface of the housing of item **10** and/or the total surface area of item **10** may be covered with one or more pieces of fabric **12**.

As shown by the illustrative configuration of item **10** in FIG. **8**, item **10** may be an electronic device having six sides **39** each of which is partly or fully covered by fabric **12** formed from strands **20**. In general, an item such as item **10** of FIG. **8** may have any suitable number of sides and any suitable number of these sides may be fully or partly covered with fabric **12** (e.g., at least one side, at least two sides, at least three sides, at least four sides, at least five sides, six sides, etc.).

In configurations such as these, touch sensors such as the touch sensor of FIG. **4** may be formed from conductive strands on one or more sides **39** of item **10**. For example, touch sensors formed from conductive strands may cover one to six surfaces (e.g., all six sides) of the electronic device. The touch sensors on an item such as item **10** may be used by the control circuitry of item **10** to detect different grip patterns when users grip the surfaces of item **10**. Grip detection information may include information such as finger location, hand size, left/right hand identification infor-

mation, and/or other information that allows users or types of users to be distinguished (e.g., to distinguish between adults and small children). Left/right grip detection may also be used to alter the location and/or appearance of virtual buttons on item 10 and/or to customize other features.

In the illustrative configuration of FIG. 8, item 10 has a box-shaped (rectangular-prism-shaped) housing, but other housing shapes may be used in forming a fabric-covered housing for item 10, if desired. Sensors other than capacitive touch sensors formed from fabric 12 (e.g., capacitive and/or optical touch and/or proximity sensors, force sensors, etc.) and/or haptic devices or other components 26 may also be located on one or all of the faces of the electronic device and may be overlapped by fabric 12, as described in connection with FIGS. 6 and 7.

If desired, seams between mating panels of fabric 12 can be hidden from view by a user by using an arrangement of the type shown in FIG. 8. As shown in the illustrative cross-sectional side view of item 10 of FIG. 9, item 10 may have internal components 40 (e.g., circuitry 16) on substrates such as substrate 42. Substrate 42 may be a printed circuit or other substrate and may be located in interior 44 of housing 46. Housing 46 may be formed from plastic, metal, glass, ceramic, and/or other materials (e.g., housing structures of the type described in connection with structures 28 of FIG. 5). Fabric 12 may cover housing 46 and may be attached to housing 46 using an optional layer of adhesive such as adhesive 48. Fabric 12, which may be considered to cover housing 46 and/or form a portion of the housing for item 10 may have an upper portion such as portion 12T and a lower portion such as portion 12B. The edges of fabric 12T and the edge of fabric 12B may be inserted into notches 50 in housing 46. Notches 50 may run along the sides of housing 46 parallel to the longitudinal axis of housing 46 and may help hide the seam that is formed between fabric 12A and fabric 12B along these sides from view by a user. Notches 50 may be formed on vertical sidewall portions of item 10 (e.g., in a configuration in which item 10 normally lies flat in the X-Y plane as shown in FIG. 9), and/or may be formed elsewhere on item 10 in which fabric seams are located.

FIG. 10 is a view of the front face of an illustrative fabric-based item. As shown in FIG. 10, fabric 12 may have portions with different visual appearances. Illustrative fabric-based item 10 may be, for example, a remote control or other electronic device that gathers user input using touch sensors, buttons with switches, force sensors, proximity sensors, and/or other user input devices and that transmits the gathered information wirelessly to remote equipment (e.g., item 18 of FIG. 1) to control the operation of item 18 (e.g., to change video channels or other media playback changes, to navigate between audio tracks or other media tracks, to fast forward or rewind in a song or video, to adjust playback volume by adjusting the gain of output audio amplifiers coupled to speakers in item 18, etc.).

Fabric 12 of FIG. 10 covers item 10 on one or more sides (faces) of the housing for item 10. In the example of FIG. 10, area 12-1 has a first appearance and is free of touch sensor electrodes. Area 12-2 may contain a touch sensor such as the touch sensor formed from fabric 12 in FIG. 4 (or other input circuitry formed from components 26) and may have a second appearance that is the same as the first appearance or that is different than the first appearance (e.g., to visually distinguish area 12-2). Strands 20 may have a coarse weave or other characteristics that form a first texture in area 12-2 and a finer weave or other characteristics that form a second texture in other areas such as area 12-1, 12-3, and/or 12-4 to

provide a user with a distinct feel in each of these regions. This may help a user identify different regions of the surface of item 10 in dim lighting conditions.

Strands 20 in area 12-3 may be woven with a finer texture than strands 20 in area 12-2, so that area 12-3 feels smoother than area 12-2 to the touch and may have a distinct appearance. Area 12-3 may be free of touch sensors (as an example). Area 12-4 may be associated with a button. The button may be a mechanical button that is used by pressing inwardly on area 12-4 to deform fabric 12 in area 12-4 and thereby actuate a dome switch or other button mechanism that is overlapped by area 12 or may be a capacitive sensor button (e.g., using a capacitive touch sensor formed from conductive strands in the fabric of area 12-4). Haptic devices in components 26 may overlap the input areas of item 10 such as area 12-4 and other areas. If desired, letters or other symbols may be woven or otherwise formed in areas such as area 12-4 (see, e.g., area 12-5).

In addition to variations in weaving techniques, fabric coarseness and/or other fabric construction differences, fabric treatments may be used in forming the different areas of item 10 shown in FIG. 10. These fabric treatments may include printing techniques or other coloring techniques, heating techniques (e.g., to locally fuse strands 20 together and thereby create denser and smoother areas of fabric 12 that stand out from surrounding untreated areas), cutting techniques (e.g., laser processing techniques such as laser fabric removal techniques to create ribs or other features), and/or other fabric treatment techniques such as locally embedding polymer or other material into fabric 12.

FIG. 11 shows how item 10 may include areas such as areas 12A1, 12A2, and 12A3 that contain symbols such as plus symbols 52 and minus symbols 54. Symbols 52 and 54 may be formed by locally altering the construction of fabric 12, by impregnating fabric 12 with patterned polymer (e.g., polymer containing dye or pigments to form ink) or printing or otherwise patterning other material in the shape of symbols 52 and 54 onto fabric 12, by locally heating the portion of fabric 12 associated with symbols 52 and 54, by using laser processing techniques to pattern the fabric in these areas, etc. The characteristics of areas 12A1, 12A2, and 12A3 may also be modified to vary from other areas (e.g., areas 12A4) using these processing techniques. Touch sensors and other components 26 (haptic components, input devices such as button switches, proximity sensors, force sensors, etc.) may be located under areas 12A1, 12A2, and 12A3 and/or other areas of item 10. If desired, touch sensors and other components 26 may be omitted from some areas of item 10 (e.g., areas 12A4). Configurations in which all fabric surfaces include touch sensors and/or overlap components 26 may also be used, if desired.

In the illustrative configuration of FIG. 12, item 10 has a wedge shape in which the housing of item 10 tapers (narrows) progressively at increasing distances from end 56 towards end 58. Surface 60 at end 56 forms a curved (rounded) base for the housing of item 10. As shown in FIG. 12, surface 60 may have a curved shape such as a spherical surface shape or other shape with compound curvature. A weight (batteries, metal ballast, etc.) may be placed in the housing of item 10 in a location near to end 56 such as location 62 to provide item 10 with a self-righting feature (e.g., the portion of the housing that forms the rounded base for the housing may be weighted with a self-righting mass formed from iron or other heavy metal that is configured to hold the housing upright so that its longitudinal axis is aligned parallel to the surface normal of the surface on which item 10 is resting and perpendicular to the surface).



## 11

Surfaces such as surface 60 and the other surfaces of item 10 may be covered with fabric 12. In regions such as region 12', the appearance and functionality of fabric 12 and the electrical components overlapped by fabric 12 may vary (e.g., touch sensors and/or other components 26 may be located under symbols 52 and 54 in region 12' but not in other portion of fabric 12, etc.).

FIG. 13A illustrates how the incorporation of weight in region 62 may help provide item 10 with an asymmetrical weight distribution that allows item 10 to right itself. As shown in FIG. 13A, item 10 may rest on a surface such as surface 66 (e.g., a table top). The housing of item 10 may be characterized by a longitudinal axis such as axis 64. When off balance, item 10 will tip on surface 66 so that the longitudinal axis of item 10 is not parallel to surface normal n of surface 66 (see, e.g., off-axis item 10' and tilted longitudinal axis 64'). In this situation, the location of weight 62 at end 56 and the curved shape of lower surface 60 of item 10 cooperate to force item 10 upwards in direction 68 (e.g., to the vertical position shown by item 10 and axis 64, where axis 64 is parallel to surface normal n and is therefore perpendicular to surface 66).

If desired, the weight in region 62 may be located at a position that self-rights item 10 in a horizontal orientation (e.g., with longitudinal axis 64 parallel to surface 66). This type of arrangement is shown in FIG. 13B. As shown in FIG. 13B, a weight may be located in a location such as region 62 that is adjacent to rear surface 69 of item 10 (e.g., relatively far from front surface 71). This provides item 10 with an asymmetrical weight distribution that allows item 10 to right itself so that buttons and other input-output devices in regions such as region 12' face upwardly for viewing and use by a user of item 10. As shown in FIG. 13B, item 10 may rest on a surface such as surface 66 (e.g., a table top). When originally placed on surface 66, buttons and other input-output components such as component 65 may be facing downward towards surface 66 (e.g., component 65 may be in location 65'). Due to the presence of weight in region 62, item 10 may rotate in direction 67 to its normal face-up configuration. In this configuration, component 65 and other components (e.g., input devices associated with symbols 52 and 54 of FIG. 12 in region 12', etc.) may be viewed by a user and pressed when it is desired to supply user input to item 10. In general, any suitable asymmetric weighting scheme may be used with item 10. The configurations of FIGS. 13A and 13B are merely illustrative.

FIG. 14 is a diagram of item 10 in an illustrative configuration in which circuitry 16 can actively control the tilt of item 10 based on sensor input or other input. As shown in FIG. 14, item 10 may include an electrically adjustable weight such as electrically adjustable weight system 70 (sometimes referred to as an electrically adjustable moveable mass system). System 70 may include an electrically adjustable positioner and movable mass (see, e.g., movable mass and positioner 72, which may move on a track or other support such as support 74). During operation, the movable mass may be positioned by the electrically adjustable positioner (e.g., an electromagnetic actuator) in one or more dimensions (e.g., in the X-Y plane of FIG. 14). The positioner is electrically controllable by control circuitry in item 10, so the mass may be moved, for example in directions such as direction 76 and direction 78. Item 10 may have a sensor such as proximity sensor 26P (e.g., an optical proximity sensor, a capacitive proximity sensor, etc.). When a user's hand or other external object 30 is detected in the vicinity of item 10, the control circuitry of item 10 may move the mass of system 70 in direction 76, thereby causing

## 12

item 10 to tilt towards the user's hand in direction 80 (e.g., so that longitudinal axis 64 tips towards the user's hand away from surface normal n of surface 66). This behavior may be used, for example, to facilitate user gripping of item 10 in dim lighting conditions.

FIG. 15 is a perspective view of an illustrative cylindrically shaped fabric-based item. Illustrative item 10 of FIG. 15 may have a weight that allows item 10 to right itself (e.g., by restoring its desired orientation by movement in directions 82 or 84, as appropriate) and/or may have an electrically adjustable movable mass mechanism such as adjustable weight system 70 of FIG. 14. Item 10 may have areas with touch sensors and/or other components 26, areas with symbols or other patterns, and/or other features that allow item 10 to serve as a remote control (see, e.g., illustrative symbol 86 in area 88).

As shown in FIG. 16, item 10 may have deformable portions. Some or all of the surface of the housing of item 10 may be covered with fabric 12. Fabric 12 may include conductive strands that serve as touch sensor electrodes and/or may overlap force sensors, touch sensors, proximity sensors, mechanical switches, or other components (see, e.g., the touch sensor of FIG. 4 and components 26 of FIG. 5). This sensor circuitry may, for example, be located on the sides of item 10 of FIG. 16. A layer of foam (see, e.g., layer 28 of FIG. 5) may be formed under the sensor circuitry to detect deformation of the sides of item 10 when pressed inwardly by a user (e.g., when a user squeezes item 10). In the example of FIG. 16, item 10 initially has an undeformed shape given by unbent housing wall surfaces 92. When a user grips and squeezes item 10 inwardly in directions 90, the walls of item 10 (e.g., the foam or other compressible material under fabric 12 and/or fabric 12) compress inwardly, so that straight housing wall surfaces become deformed as shown by deformed housing wall surfaces 92'. Control circuitry in item 10 can take suitable action in response to detection of deformation of fabric 12 and the associated surfaces of item 10. For example, a wireless command may be issued (e.g., to increase or decrease volume of remote equipment 18, to change a media playback track, to adjust household equipment such as heating or lighting, etc.).

If desired, support structures such as illustrative structures 28 of FIG. 5 may be provided with a texture that can be felt by the fingers of a user through fabric 12 when gripping item 10. This type of arrangement is shown in the cross-sectional side view of illustrative item 10 of FIG. 17. In the example of FIG. 17, item 10 has a housing formed from support structures 94 covered with fabric 12. Fabric 12 may be sufficiently thin to allow underlying features to locally change the texture and feel of fabric 12. Structures 94 may be formed from molded plastic, metal, and/or other materials. Surface features such as protrusions (ribs, bumps, etc.), recesses (grooves, pits, etc.), or other textured features such as textured structures 96 may provide item 10 with a textured surface when item 10 is handled by a user.

The foregoing is merely illustrative and various modifications can be made to the described embodiments. The foregoing embodiments may be implemented individually or in any combination.

What is claimed is:

1. A fabric-based item comprising:
  - a housing;
  - a fabric layer covering a majority of the housing;
  - at least one light-emitting component configured to display an alphanumeric character through the fabric layer;

## 13

- wireless communications circuitry; and control circuitry configured to transmit wireless signals with the wireless communications circuitry.
2. The fabric-based item defined in claim 1, further comprising:  
a battery, wherein the at least one light-emitting component comprises a light-emitting diode.
3. The fabric-based item defined in claim 1, wherein the at least one light-emitting component comprises an array of light-emitting diodes.
4. The fabric-based item defined in claim 1, wherein the fabric-based item is a voice-controlled speaker.
5. The fabric-based item defined in claim 1, further comprising:  
touch-sensitive buttons labeled with symbols.
6. The fabric-based item defined in claim 1, further comprising:  
touch-sensitive buttons that are at least partially covered by the fabric layer.
7. The fabric-based item defined in claim 1, further comprising:  
a mechanical button comprising a dome switch.
8. The fabric-based item defined in claim 1, further comprising:  
a capacitive touch sensor.
9. A voice-controlled speaker comprising:  
a housing;  
a fabric layer covering at least some of the housing;  
at least one light-emitting component configured to emit light for an alphanumeric symbol through the fabric layer;  
wireless communications circuitry; and  
control circuitry configured to transmit wireless signals with the wireless communications circuitry.
10. The voice-controlled speaker defined in claim 9, wherein the at least one light-emitting component comprises a light-emitting diode.

## 14

11. The voice-controlled speaker defined in claim 9, wherein the at least one light-emitting component comprises an array of light-emitting diodes.
12. The voice-controlled speaker defined in claim 9, further comprising:  
touch-sensitive buttons labeled with symbols.
13. The voice-controlled speaker defined in claim 9, further comprising:  
touch-sensitive buttons that are at least partially covered by the fabric layer.
14. The voice-controlled speaker defined in claim 9, further comprising:  
a mechanical button comprising a dome switch.
15. The voice-controlled speaker defined in claim 9, further comprising:  
a capacitive touch sensor.
16. A fabric-based item comprising:  
a housing having a deformable housing wall;  
a fabric layer covering a majority of the housing, wherein the fabric layer covers the deformable housing wall;  
sensing circuitry configured to detect deformation of the deformable housing wall;  
wireless communications circuitry; and  
control circuitry configured to transmit wireless signals with the wireless communications circuitry.
17. The fabric-based item defined in claim 16, wherein the deformable housing wall comprises a layer of foam and wherein the sensing circuitry is configured to detect compression of the layer of foam.
18. The fabric-based item defined in claim 16, wherein the sensing circuitry comprises a force sensor.
19. The fabric-based item defined in claim 16, wherein the sensing circuitry comprises a touch sensor.
20. The fabric-based item defined in claim 16, wherein the control circuitry is configured to transmit the wireless signals with the wireless communications circuitry in response to the sensing circuitry detecting deformation of the deformable housing wall.

\* \* \* \* \*