

May 6, 1924.

1,492,725

B. L. HENRY

PARASOL

Filed May 2, 1921

Fig. 1.

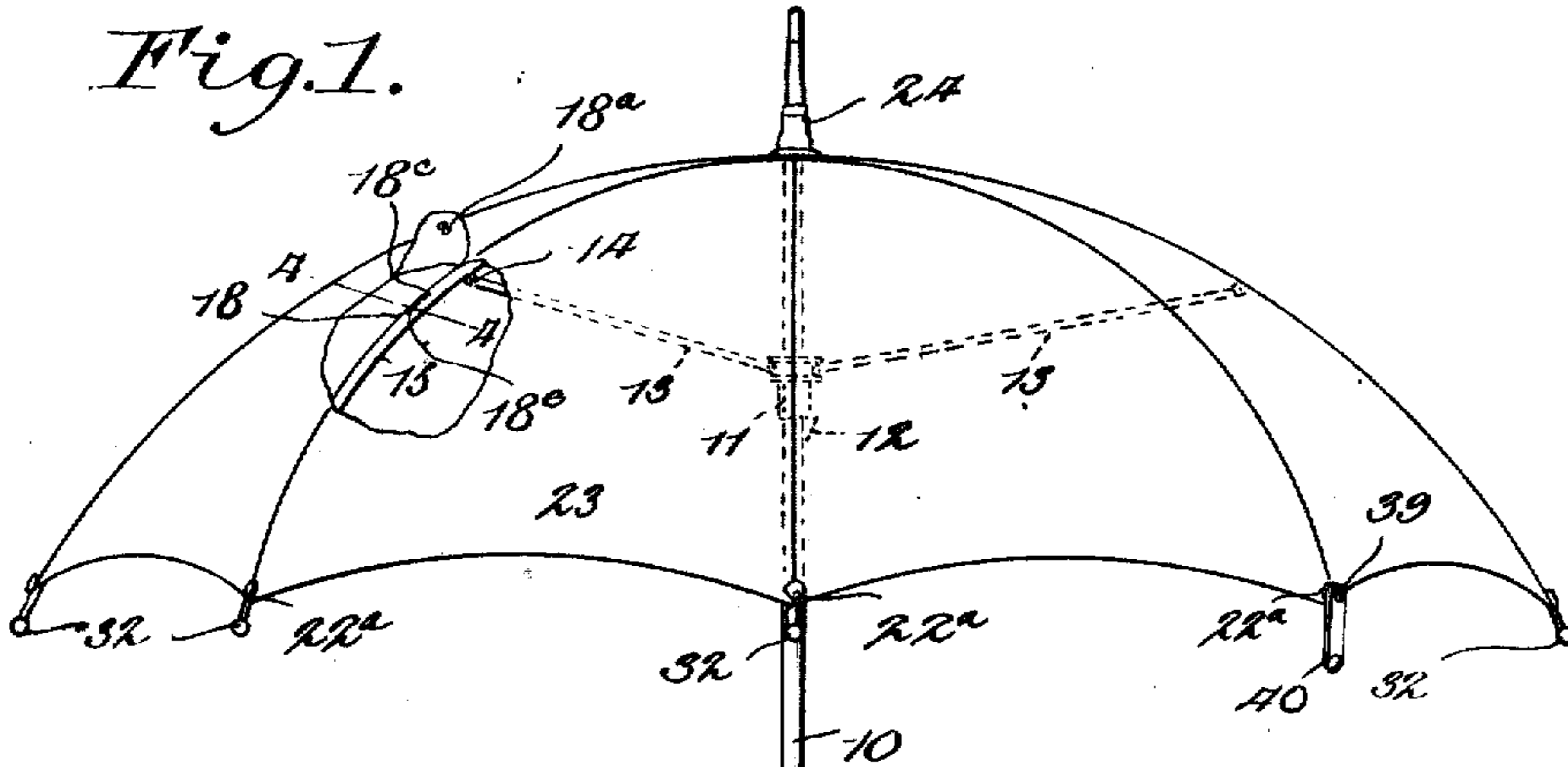


Fig. 2.

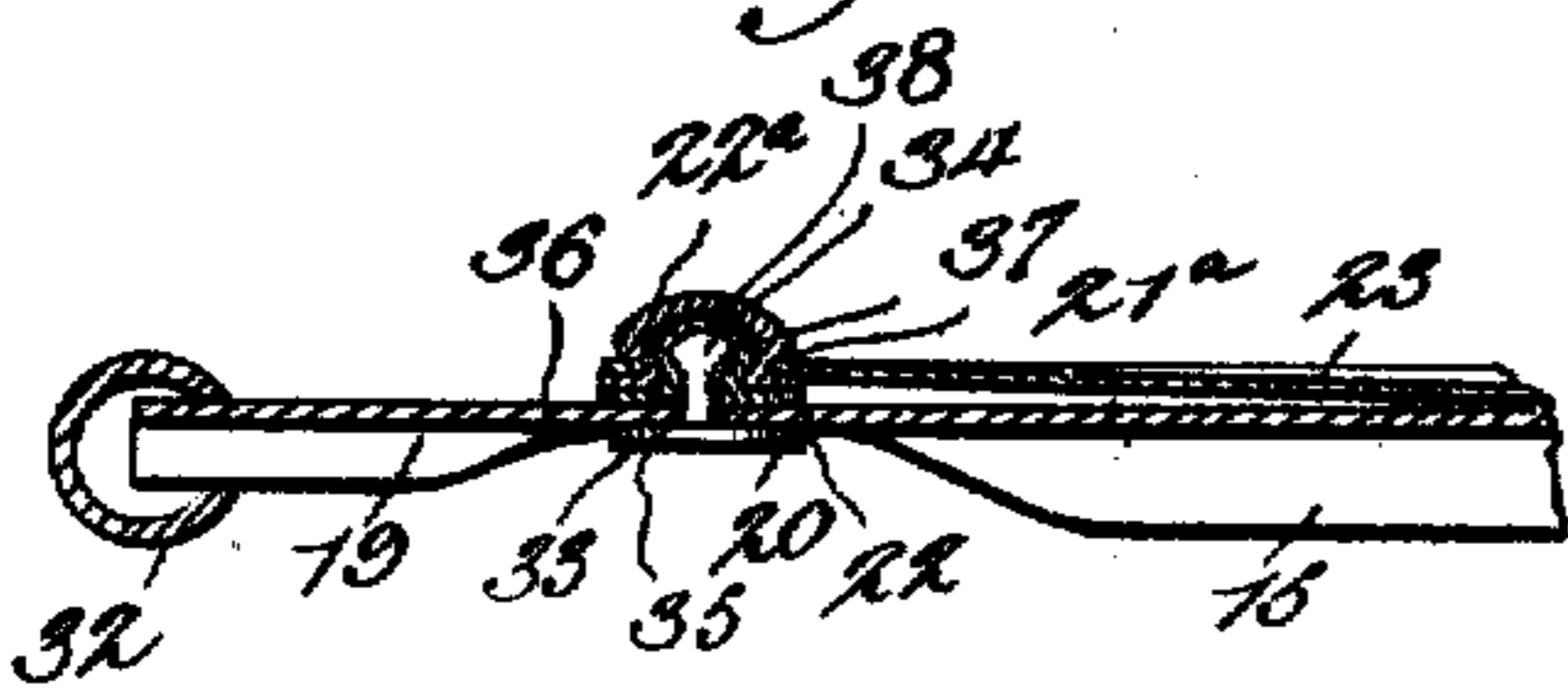


Fig. 3.

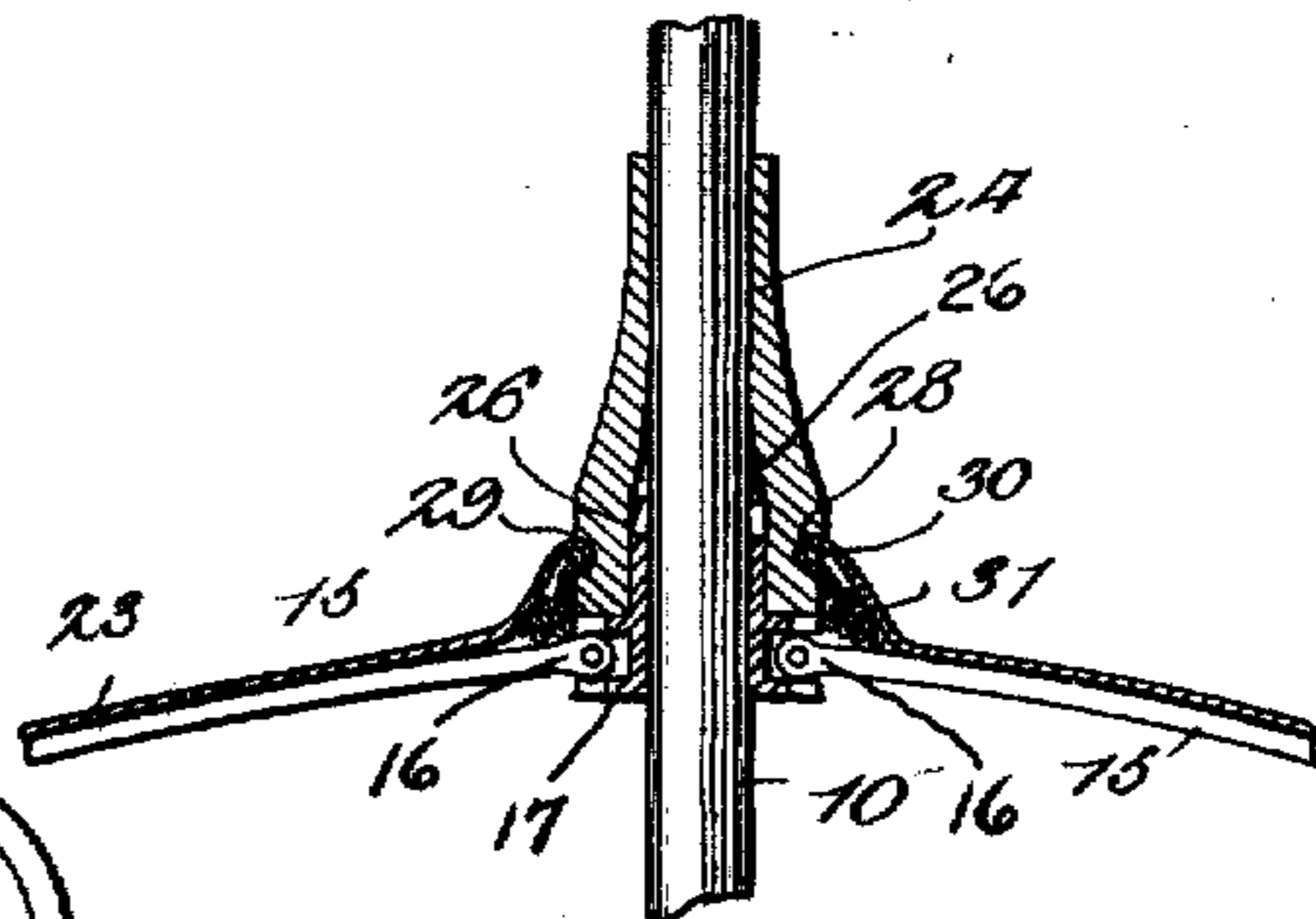


Fig. 4.

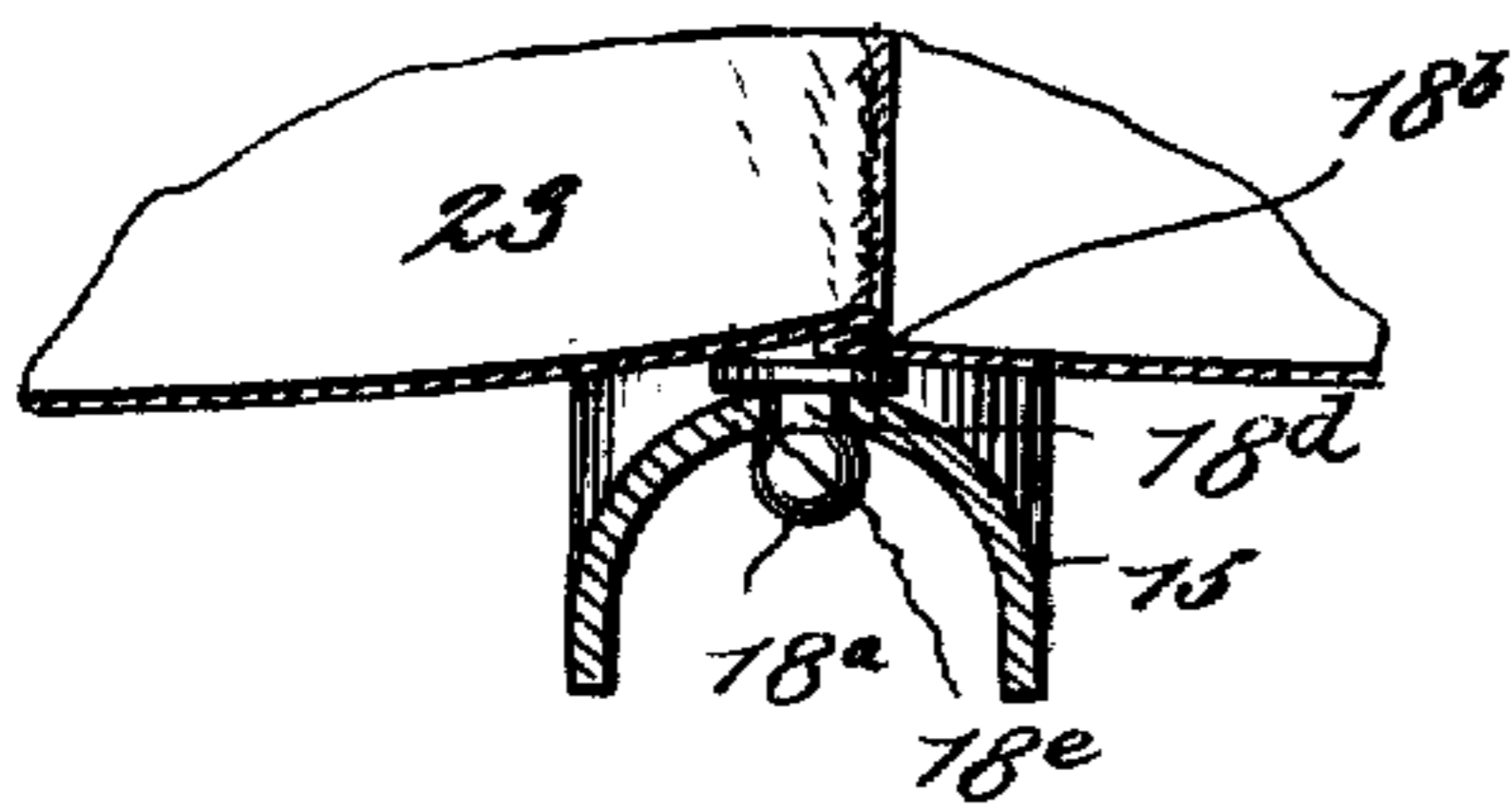


Fig. 5.

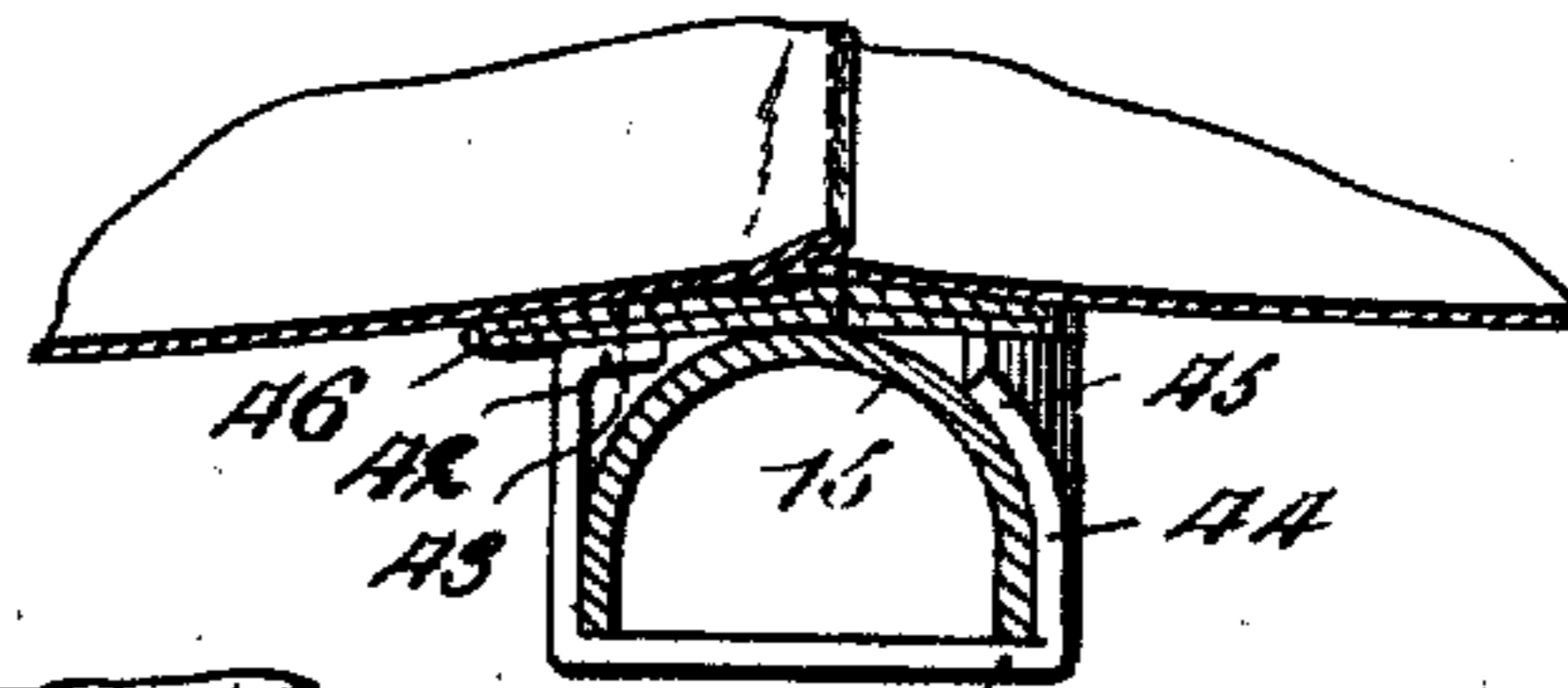


Fig. 6.

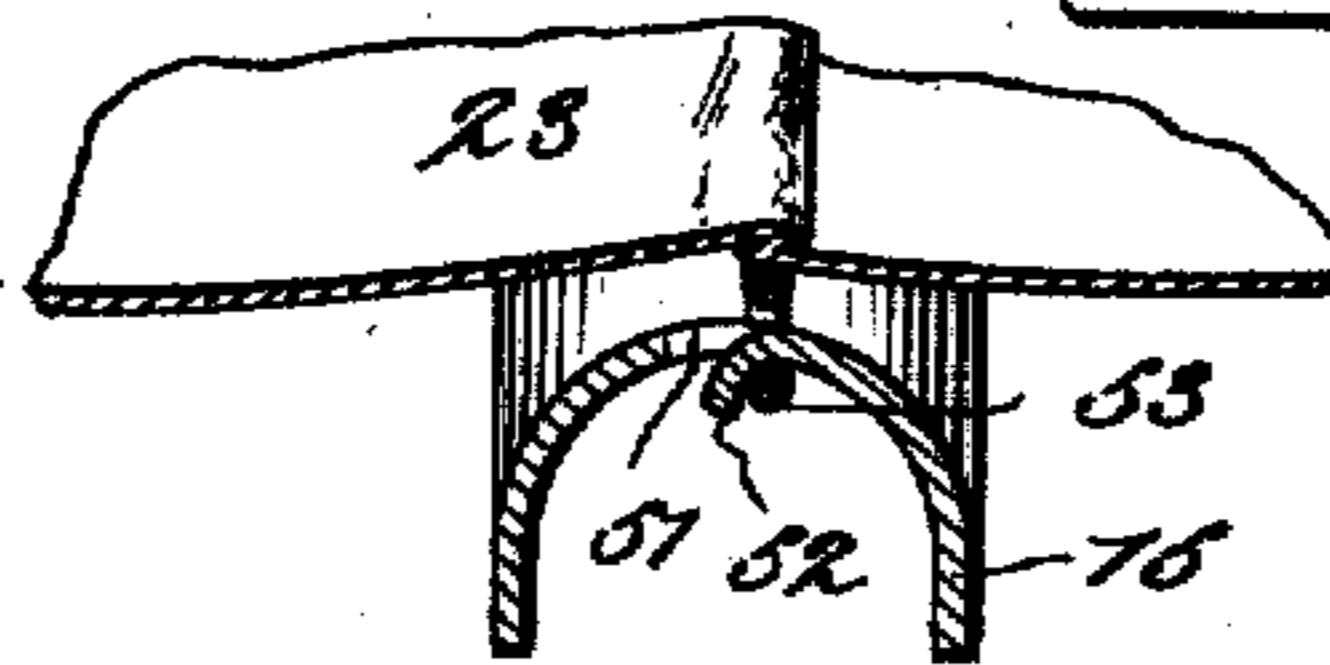
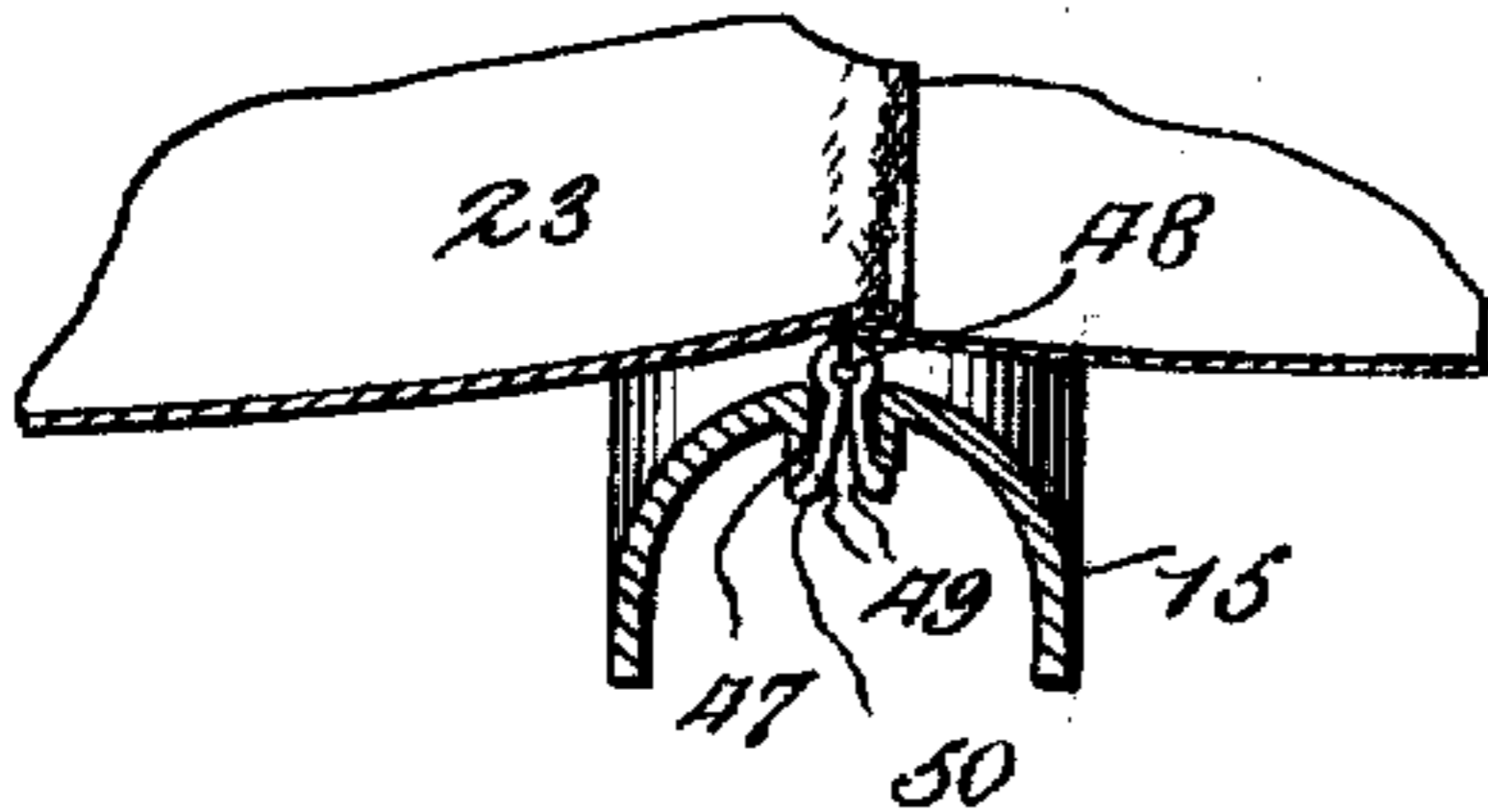


Fig. 7. Beulah L. Henry. INVENTOR

BY Victor J. Evans ATTORNEY

WITNESS: J. W. C. J.

UNITED STATES PATENT OFFICE.

BEULAH L. HENRY, OF NEW YORK, N. Y., ASSIGNOR TO HENRY UMBRELLA & PARASOL CO., INC., OF NEW YORK, N. Y., A CORPORATION OF NEW YORK.

PARASOL.

Application filed May 2, 1921. Serial No. 466,106.

To all whom it may concern:

Be it known that I, BEULAH L. HENRY, a citizen of the United States, residing at New York, in the county of New York and State of New York, have invented new and useful Improvements in Parasols, of which the following is a specification.

This invention relates to the class of parasols and umbrellas and is particularly in the nature of an improvement upon my prior patent for parasol No. 1,079,240, dated Nov. 18, 1913.

The object of my invention is to provide the stick or rod with a detachable cover so that when the invention is incorporated as part of a parasol, a cover of one color or design can be readily separated from the frame of the structure and one of another color and design substituted therefor, provision being made whereby a frame construction is common to the several covers or canopies.

Another object of the invention is to provide an umbrella or parasol in which the cover or canopy is readily separable from and capable of being conveniently applied to the frame and means for effecting a sealed connection between the vertical center of the cover and the rod so as to prevent water from passing through the structure at this point.

A still further object of the invention is to provide an umbrella or parasol structure in which separable fastenings are employed for holding the cover in position on the frame and for maintaining an operative relation between the cover at its center and the rod or stick.

A still further object of the invention is to provide a device of this character which will not require any material alterations in what can be described as stock parts of an umbrella frame such as the ribs and stretchers and stick or rod.

A still further object of the invention is to provide a structure of this character including a cover having means to co-act with the ribs of a folding frame so as to hold the seams between the gores of the cover longitudinally aligned with the ribs and in confinement therewith.

With the above and other objects in view which will appear as the nature of the invention is better understood, the same consists in the improved construction and novel

arrangements of parts which will hereinafter be fully described and particularly pointed out in the claim.

In the accompanying drawing has been illustrated, a preferred form of the invention, it being, however, understood that no limitations are necessarily made to the precise structural details therein exhibited, but that changes, alterations and modifications within the scope of the claim may be resorted to when desired.

Figure 1 is a side view of a parasol constructed in accordance with my invention, parts broken away for the purpose of clearness.

Figure 2 is a longitudinal section through one of the ribs showing the separable elements of the fastenings at the tips of the ribs.

Figure 3 is a vertical section on an enlarged scale through the central portion of the cover showing its ferrule and sealing means.

Figure 4 is a transverse section taken on the line 4-4 of Figure 1.

Figure 5 is a view similar to Figure 4 showing a slightly modified form of the invention.

Figure 6 is a similar view of a further modified form.

Figure 7 is a view similar to Figure 4 showing a still further modified form of the invention.

In providing a parasol or umbrella of the character set forth, it has been my object to use as near as possible in the construction thereof, standard or stock ribs, stretchers and the customary stick. I prefer to utilize these well known elements in order to simplify the invention and reduce the cost of manufacture thereof. For this reason I will refer to 10, as an ordinary stick and 11 a runner slidable thereon adapted to co-act with a keeper 12, the said runner connected in the well known manner to stretchers 13 and the latter connected at 14 with ribs 15. Except for minor changes, these ribs are of well known construction and their ends 16 are pivoted in the usual manner to a notch 17, the latter secured to said stick 10.

In the preferred embodiment of my invention each rib is provided approximately at its center with a keyhole slot 18. The parts 19 of the ribs are provided with elements 20 and 22 respectively forming the

male elements of separable fastenings 21^a, the same adapted to engage with female elements 22^a, of the cover 23. The cover is provided at its center with an ornamental ferrule 24 having a passage 25 therein for the reception of the end of the stick. This passage is flared at 26 and as illustrated, the same is adapted to seat directly against the upper portion of the notch 17. This ferrule is provided with an external circular groove 28 and the center of the canopy or cover is arranged with its opening 29 embracing the walls of the groove and seated and bound therein by a suitable thread or the like 30. Stitched to the center of the cover and embracing the ferrule is a sealing skirt 31 which is adapted to embrace the upper portion of the notch so as to come in contact therewith and seal the joint between the ferrule and the stick so as to prevent moisture from trickling down the stick when the canopy or cover is wet. This sealing skirt may be formed of absorbent material or it may consist of a single elastic washer adapted to yieldingly engage with the notch and close thereagainst. The former arrangement is preferred so that the moisture will be absolutely absorbed by the skirt. The skirt is held in confinement with the upper part of the notch by the tensioned condition of the cover or canopy when the parasol is raised. The separable fastenings adjacent to the tips of the ribs serve to permit of this operative fastening of the cover as will be understood.

In order not to distract from the fancy or ornamental appearance of the parasol, the ribs are provided with ball tips 32 and as previously stated, the fastenings 21^a are positioned in spaced relation to said ball tips whereby the latter are exposed when the cover is in position as clearly illustrated in Figure 1. The elements 20 and 22 of the fastenings 21^a are directly connected with the ribs and the elements 20 are provided with flanges 33 and hollow shanks 34. The hollow shanks are passed through perforations 35 in the ribs and the ends 37 of said shanks are passed into the hollow portions 38 of the heads of the mating elements 22 and then upset therein so that the ribs are directly clamped and sandwiched between the said elements.

One of the elements 22^a is provided with an external resilient head 39 adapted to engage with a socket upon the free end of a binding or closing tape 40, the opposite end of the tape being secured to the shank 39^a of said head 39.

In applying one of the canopies or covers to the frame of the parasol, the ferrule of the cover is slipped over the tip of the parasol stick and the circular or ball heads 18^a of members 18^b on the under side of the said cover or canopy are inserted in the cir-

cular branches 18^c of said slots 18 and the shanks 18^d advanced in a longitudinal direction in the restricted branches 18^e of said slots. The female sections 22^a at the margin of the cover or canopy are then engaged with their mating male elements of the ribs near the tips of the later. The cover is then fully applied and when the frame of the parasol is opened, the cover is of course placed under slight tension and the ball heads 18^a of the members 18^b are then securely confined against the under sides of the ribs beneath the restricted branches 18^e of said keyhole slots 18. The separable fastenings adjacent to the tips of the ribs serve not only to hold the marginal portions of the cover operatively applied to the ribs but to retain the said ball heads 18^a in the restricted branches 18^e of said key-hole slots, while further acting to hold the skirt of the ornamental ferrule at the center of the cover in sealed engagement with the notch of the stick. The heads 18^a and co-acting slots 18 operate to hold the seams of the cover or canopy directly in line with the ribs and hold the canopy against separation from the ribs by the action of the wind.

The entire construction of the parasol is such that the cover thereof can be quickly detached from the frame and another one applied thereto at the choice of the user. The construction allows for a wide range of changes in the substitution of one cover for another or a cover of one color or design for that of another as may be best suitable to harmonize with the dress of the user.

In the modification shown in Figure 5, the cover is provided at its seam lines with U-clips or fastenings 41 adapted to be passed over the central parts of the ribs. These clips are springy or resilient and each is provided with a branch or leg 42 stitched at 43 to the cover. The branch 44 is adapted to be passed against the other side of the rib and the same is slightly curved at 45 to engage against the side of the rib. In order to prevent the cover from being injured by use of these clips, a piece of tape or braid 46 is stitched to the cover so as to underlie the rib and to accommodate the terminal 45 of the branch 44 of the clip. It will be observed that when these clips are applied the intermediate portion of the cover at the lines of the seam is held in confinement with the rib.

In the modification shown in Figure 6, the rib is provided with an opening 47 adapted to receive a resilient fastening 48, the same consisting of a U-shaped wire having branch legs 49—49 which are normally sprung apart. These legs can be passed through the opening 47 and the portions 50 thereof engaged with the walls of the opening 47.

In the modification shown in Figure 7, the rib is provided with a circular opening 51 having a curved finger 52 projecting thereinto and adapted to receive a ring 53 on the cover. In either one of these modifications, means are provided for quickly associating the central part of the cover or canopy with the ribs so as to hold the canopy against pulling away from the ribs and for maintaining alignment of the seams of the cover with the said ribs.

What is claimed as new is:

A parasol including a stick having a notch, a runner slidable on the stick, ribs pivoted to the notch, stretchers between the

runner and ribs, a detachable cover having a central portion freely slidable on the stick at one side of the notch, means on the cover detachably engaged with the ribs at the tips thereof, and substantially U-shaped clips each having a branch secured to the under side of the cover and a second branch contacting with the first branch to detachably secure the cover against the rib, said second named branch being curved to conform with the curvature of the rib so as to hold the clip against casual separation from the rib.

In testimony whereof I have affixed my signature.

BEULAH L. HENRY.