



US0D1001319S

(12) **United States Design Patent**  
**Teffenhart, Jr.**

(10) **Patent No.:** **US D1,001,319 S**

(45) **Date of Patent:** **\*\* \*Oct. 10, 2023**

(54) **CORNER COUPLER**

(71) Applicant: **Thomas Joseph Teffenhart, Jr.**,  
Sarasota, FL (US)

(72) Inventor: **Thomas Joseph Teffenhart, Jr.**,  
Sarasota, FL (US)

(\*) Notice: This patent is subject to a terminal disclaimer.

(\*\*) Term: **15 Years**

(21) Appl. No.: **29/757,810**

(22) Filed: **Nov. 10, 2020**

**Related U.S. Application Data**

(62) Division of application No. 29/654,155, filed on Jun. 21, 2018, now Pat. No. Des. 919,420.

(51) **LOC (14) Cl.** ..... **08-08**

(52) **U.S. Cl.**  
USPC ..... **D8/394**; D25/119; D25/133

(58) **Field of Classification Search**  
USPC ..... D8/354, 394, 395, 396, 499; D25/119,  
D25/121, 126, 133  
CPC ..... A23P 10/10; A23G 3/56; A23G 3/343;  
A21D 13/24; A21D 13/47  
See application file for complete search history.

(56) **References Cited**

**U.S. PATENT DOCUMENTS**

1,788,096 A	12/1899	Friedemann	
1,997,876 A	4/1935	Sheldon et al.	
D172,449 S *	6/1954	Tedaldi et al. ....	D6/702
3,139,960 A	7/1964	Hammitt et al.	
3,143,165 A	8/1964	Lewis et al.	
3,222,841 A	12/1965	Robert et al.	
3,224,154 A	12/1965	Toti et al.	
3,332,197 A	7/1967	Hinkle et al.	

3,382,639 A	5/1968	Smith et al.
3,413,775 A	12/1968	Katz et al.
3,566,561 A	3/1971	Tozer et al.
3,686,805 A	8/1972	Pofferi et al.
3,711,133 A	1/1973	Werner et al.
3,726,551 A	4/1973	Levenberg
3,830,033 A	8/1974	Gahler
3,831,336 A	8/1974	Diemer
3,866,364 A	2/1975	Pollard
4,002,000 A	1/1977	Howard et al.

(Continued)

*Primary Examiner* — T Chase Nelson

*Assistant Examiner* — Sydney Margaret Parsley

(74) *Attorney, Agent, or Firm* — Jacox, Meckstroth & Jenkins

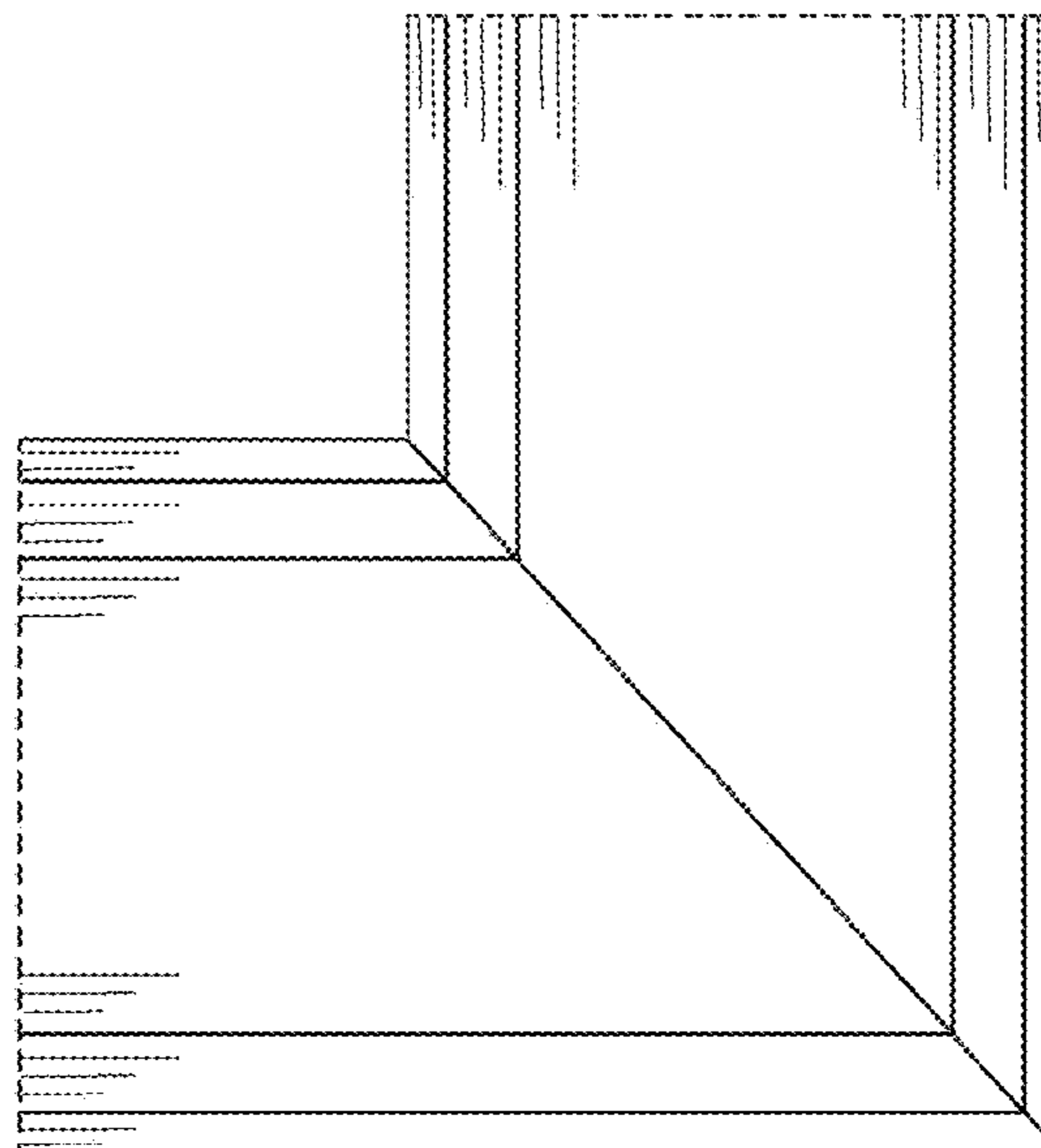
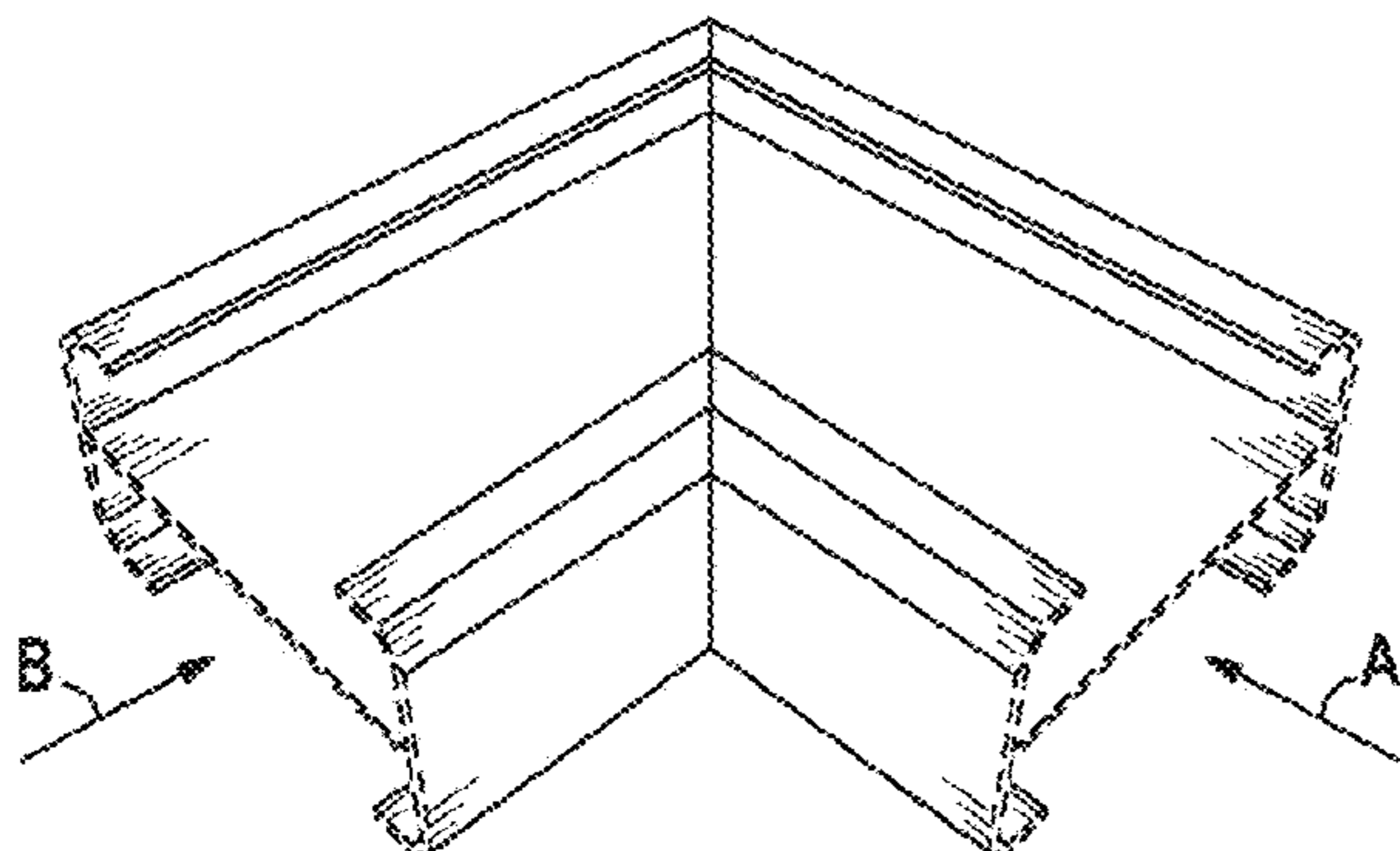
(57) **CLAIM**

The ornamental design for a corner coupler, as shown and described.

**DESCRIPTION**

FIG. 1 is a top perspective view of a corner coupler in accordance with one embodiment of the invention; FIG. 2 is a bottom perspective view of the corner coupler of FIG. 1; FIG. 3 is a front elevation view of the corner coupler of FIG. 1, viewed in the direction of arrow A in FIG. 1; FIG. 4 is a rear elevation view of the corner coupler of FIG. 1; FIG. 5 is a right side elevation view of the corner coupler of FIG. 1; FIG. 6 is a left side elevation view of the corner coupler of FIG. 1, viewed in the direction of arrow B in FIG. 1; FIG. 7 is a top plan view of the corner coupler of FIG. 1; and, FIG. 8 is a bottom plan view of the corner coupler thereof. The broken dash lines shown in the figures are for the purpose of defining the bounds of the claimed design. The broken dash lines themselves form no part of the claimed design.

**1 Claim, 2 Drawing Sheets**



(56)

References Cited

U.S. PATENT DOCUMENTS

4,027,987 A	6/1977	Berkowitz	D670,474 S	11/2012	Koch	
4,057,941 A	11/1977	Schwartz	D679,237 S *	4/2013	Austro	D25/119
4,112,853 A	9/1978	Tisbo et al.	8,443,576 B2	5/2013	Petta	
4,242,969 A	1/1981	Checkwood et al.	8,720,839 B2	5/2014	Lijesnic	
D259,083 S	5/1981	Riegsecker	8,726,583 B2	5/2014	Verdecia et al.	
4,270,872 A	6/1981	Kiyosawa	8,756,900 B1	6/2014	Hudson et al.	
4,323,319 A	4/1982	Adams	D713,054 S	9/2014	Teffenhart, Jr.	
4,368,998 A	1/1983	Pestoor	D724,240 S *	3/2015	Ross	D25/135
4,456,497 A *	6/1984	Eberle	D731,678 S	6/2015	Geldart	
		..... B27M 3/0026	D733,937 S	7/2015	Hillstrom et al.	
		52/750	9,121,222 B2	9/2015	Walker et al.	
4,516,376 A	5/1985	King	D744,317 S	12/2015	Densberger et al.	
4,630,550 A	12/1986	Weitzman	D747,539 S *	1/2016	Santoro	D26/120
D294,888 S	3/1988	Kazanowski	9,458,619 B2	10/2016	Bowron et al.	
4,774,790 A	10/1988	Hopper	D791,342 S	7/2017	Teffenhart, Jr.	
4,987,717 A	1/1991	Dameron, Jr.	D811,199 S	2/2018	Bacallao	
5,031,083 A	7/1991	Claesson	9,920,534 B2	3/2018	Albert	
5,090,164 A	2/1992	Mische	D832,679 S *	11/2018	Macdonald	D8/349
D343,909 S	2/1994	Flynn	D860,058 S	9/2019	Norfleet et al.	
5,464,302 A	11/1995	Menchetti	D872,875 S *	1/2020	Dettbarn	E04C 3/14
D373,832 S	9/1996	Nomura	D880,009 S *	3/2020	Loughren	E04C 5/065
D374,488 S	10/1996	Wang				D25/126
5,590,974 A	1/1997	Yang	D882,386 S	4/2020	Zeilinger	
D394,595 S *	5/1998	Walsh	D886,933 S *	6/2020	Geissele	D22/108
5,813,641 A	9/1998	Baldwin	D902,624 S *	11/2020	Fons	D6/552
D400,080 S *	10/1998	Beard, Jr.	D906,582 S *	12/2020	Trzcielinski	E04C 3/18
5,881,508 A	3/1999	Irvine et al.				D26/138
D414,881 S	10/1999	Giese	D919,420 S *	5/2021	Teffenhart, Jr.	E04H 15/34
5,966,890 A	10/1999	Inman				D8/394
5,997,117 A	12/1999	Krietzman	D933,755 S *	10/2021	Ornstein	D8/382
6,082,070 A	7/2000	Jen	D951,530 S *	5/2022	Klus	D26/138
6,092,348 A	7/2000	Dombchik et al.	D959,239 S *	8/2022	Johnson	B27M 3/0026
6,357,196 B1	3/2002	McCombs				D8/354
6,385,941 B1	5/2002	Power, Jr. et al.	D959,240 S *	8/2022	Smith	D8/354
6,405,504 B1	6/2002	Richardson	D963,283 S *	9/2022	Kruger	D25/119
6,430,888 B1	8/2002	Dombchik et al.	2002/0046539 A1	4/2002	Schulz	
6,601,362 B1	8/2003	Prince	2002/0121068 A1	9/2002	Ng	
6,647,692 B1	11/2003	Roder	2003/0145555 A1	8/2003	Raskin et al.	
6,668,495 B1	12/2003	Prince	2005/0284078 A1 *	12/2005	Marsland	E04C 3/18
6,755,004 B1	6/2004	Power, Jr. et al.				52/642
D493,235 S	7/2004	Strassle	2006/0179766 A1	8/2006	Waggoner	
6,826,885 B2	12/2004	Raskin et al.	2007/0074480 A1	4/2007	Kleila et al.	
D531,324 S	10/2006	Takagi	2007/0266671 A1	11/2007	Chromy	
D584,621 S	1/2009	Jean	2008/0016816 A1	1/2008	Kim	
7,478,504 B2	1/2009	Huebner et al.	2008/0168738 A1	7/2008	Shelton et al.	
D588,227 S *	3/2009	Swenson, III	2008/0250737 A1	10/2008	Hall et al.	
7,568,323 B2	8/2009	Shelton et al.	2009/0178360 A1	7/2009	Teffenhart, Jr.	
7,628,563 B2	12/2009	Winkler	2011/0036050 A1	2/2011	Callahan	
D609,373 S *	2/2010	Curtas	2011/0036051 A1	2/2011	Callahan	
7,708,317 B2	5/2010	Leblanc	2011/0036052 A1	2/2011	Callahan	
7,743,538 B2	6/2010	Parenti et al.	2011/0113717 A1	5/2011	Teffenhart, Jr.	
D620,618 S	7/2010	Teffenhart, Jr.	2011/0155315 A1 *	6/2011	Von Pinnon	E04C 3/14
D620,619 S	7/2010	Teffenhart, Jr.				156/257
7,870,699 B2	1/2011	Waggoner	2013/0306808 A1	11/2013	Huang	
7,877,962 B2	2/2011	Teffenhart, Jr.	2017/0097030 A1	4/2017	Keller	
7,883,288 B2	2/2011	Jorna	2019/0116861 A1	4/2019	Zeilinger	
D636,095 S	4/2011	Teffenhart, Jr.	2019/0390453 A1 *	12/2019	Teffenhart, Jr.	E04B 1/40
D666,743 S	9/2012	Teffenhart, Jr.				

\* cited by examiner

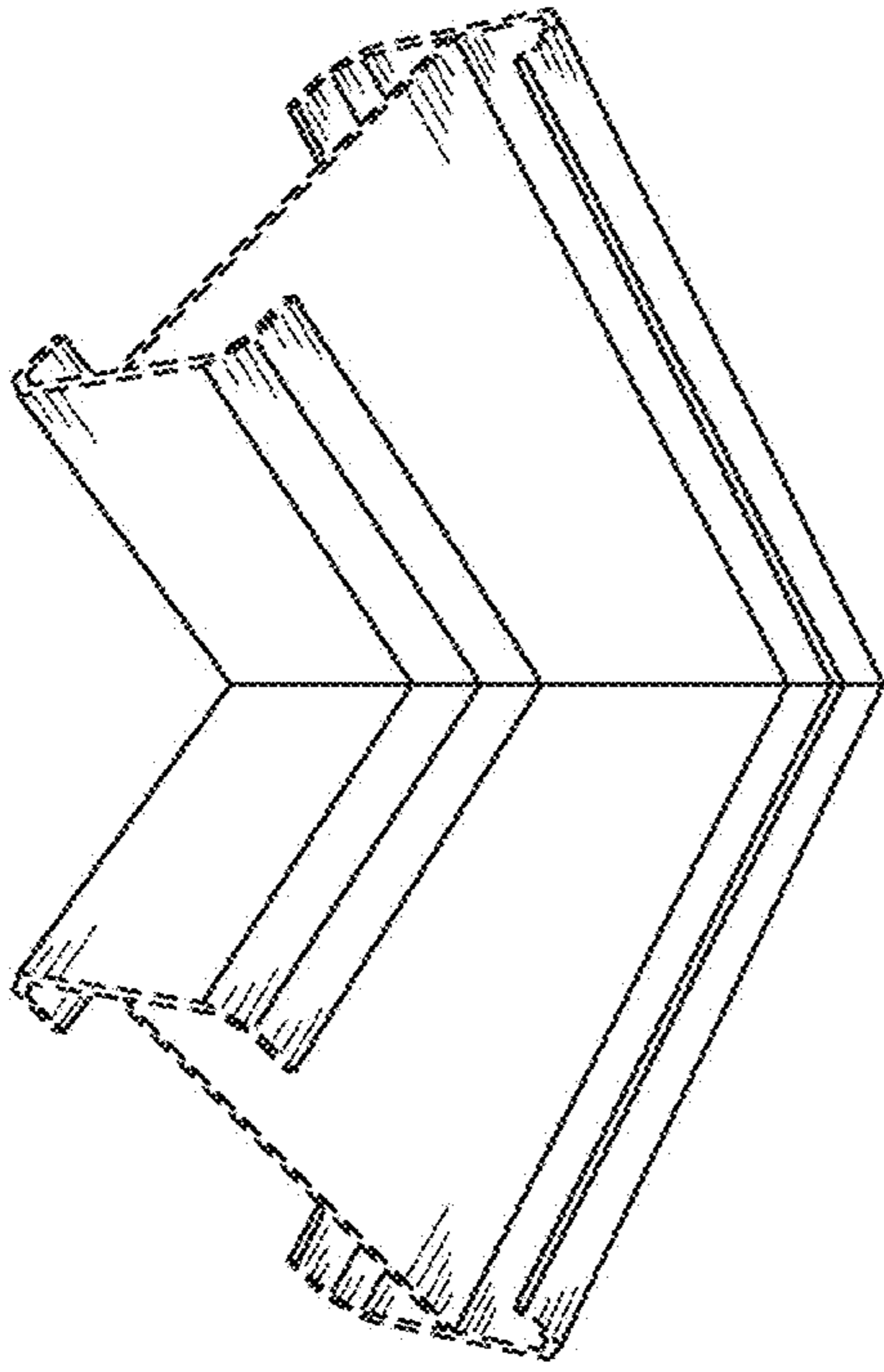


FIG. 1

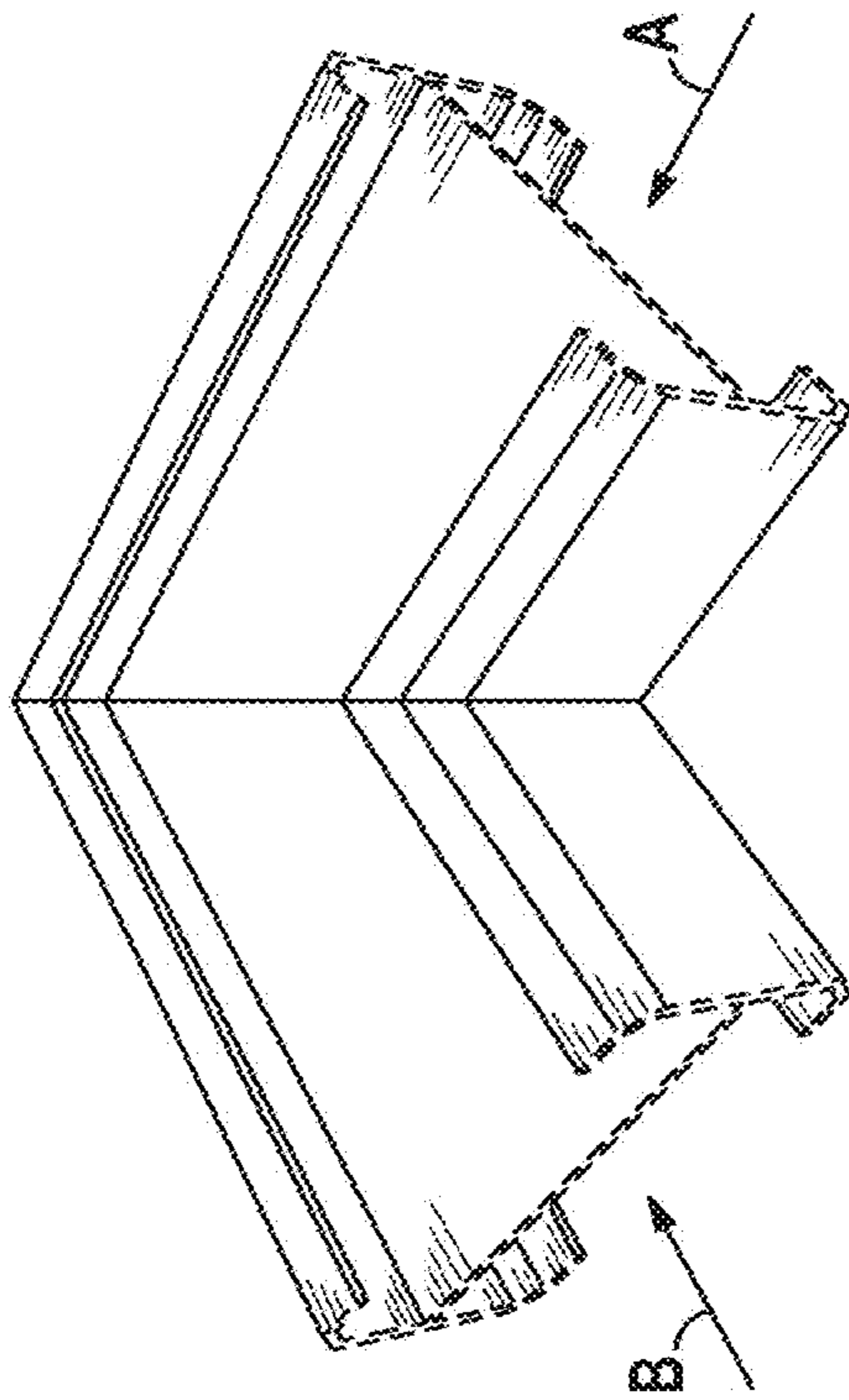


FIG. 2

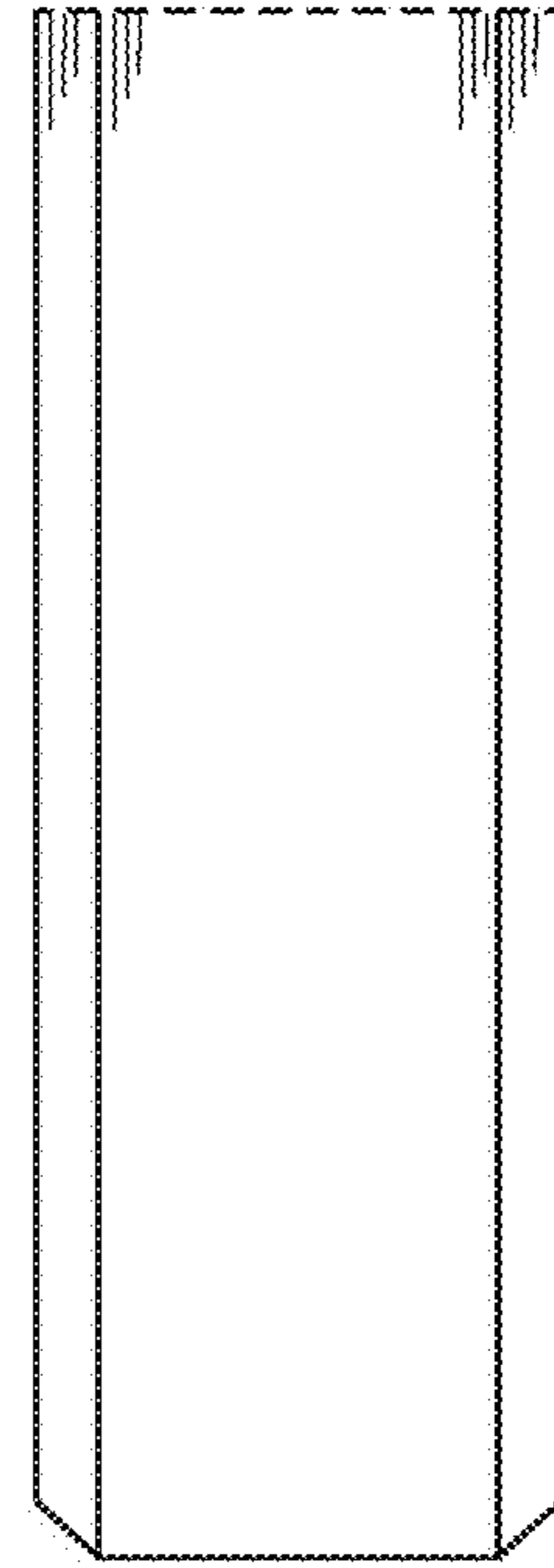


FIG. 3

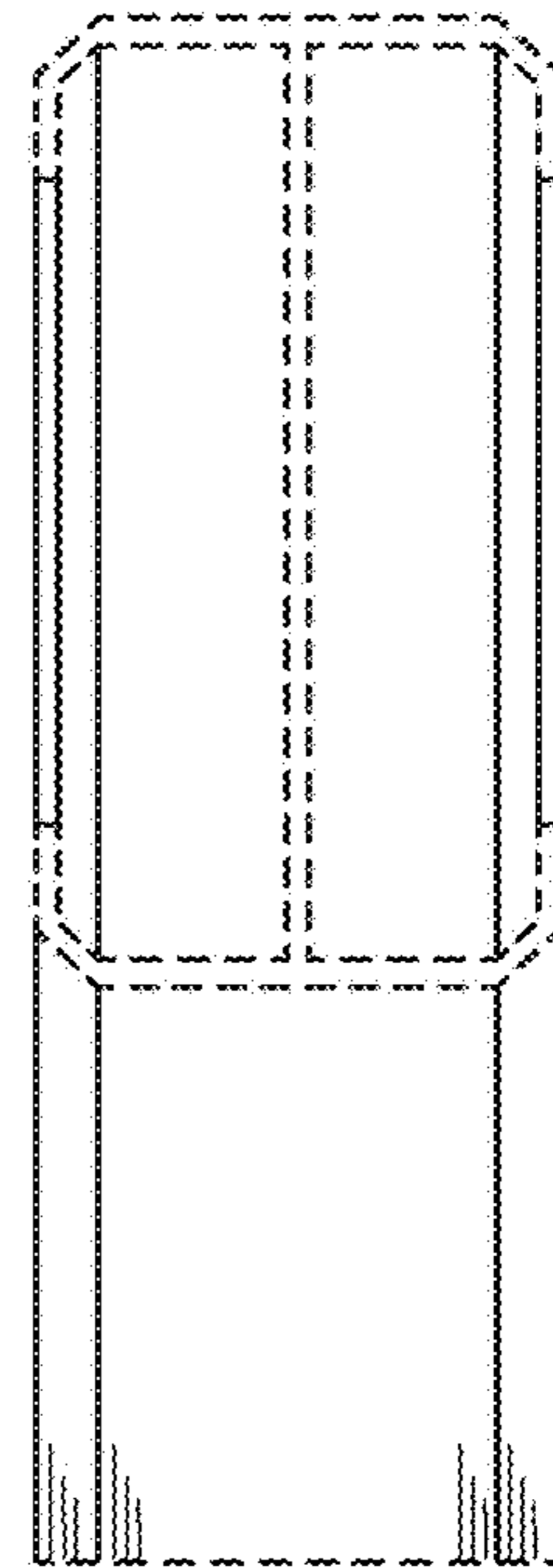


FIG. 4

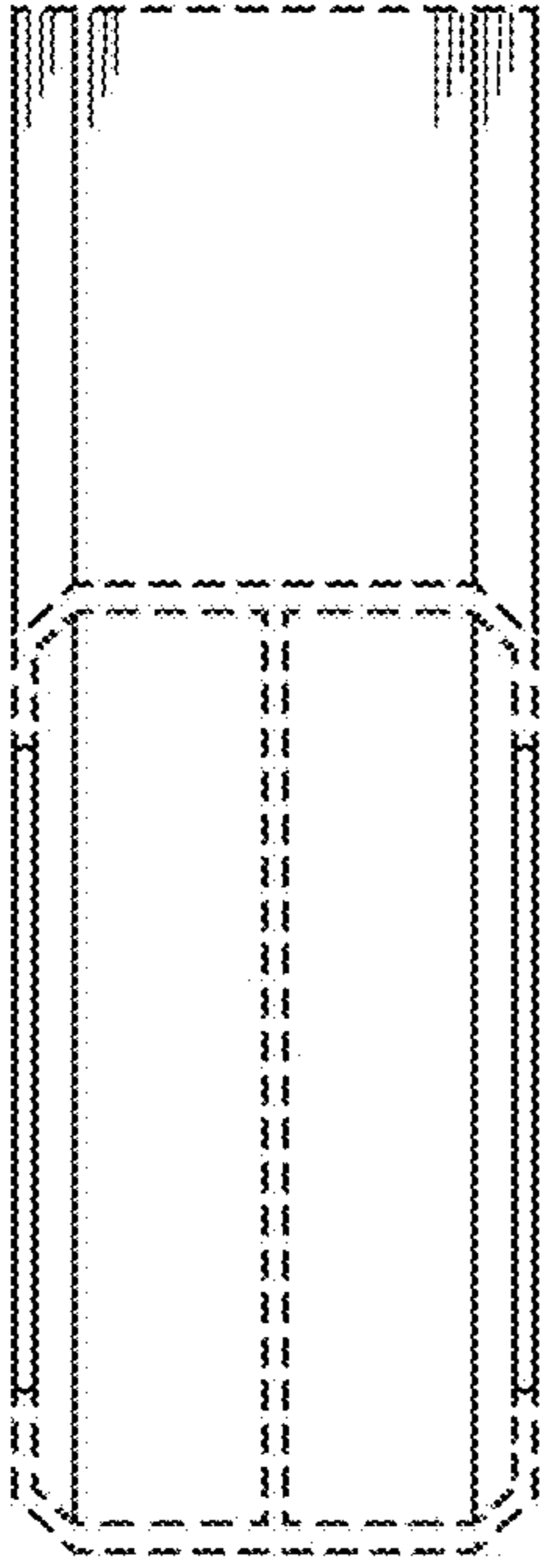


FIG. 5

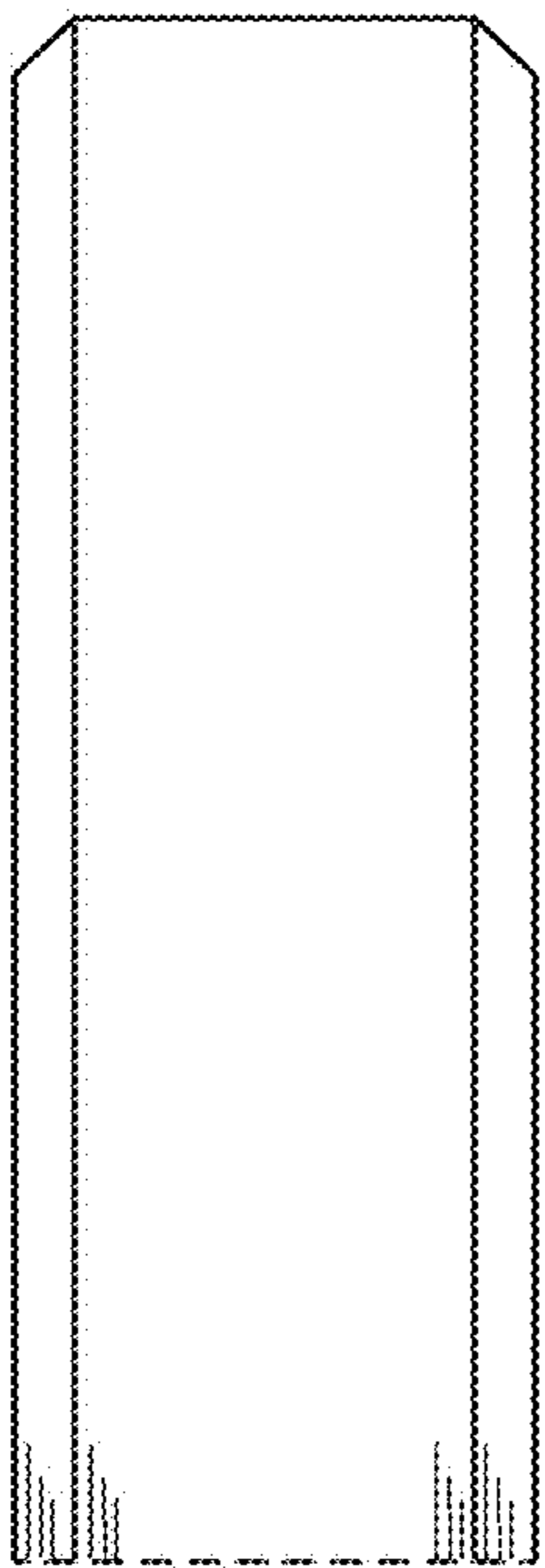


FIG. 6

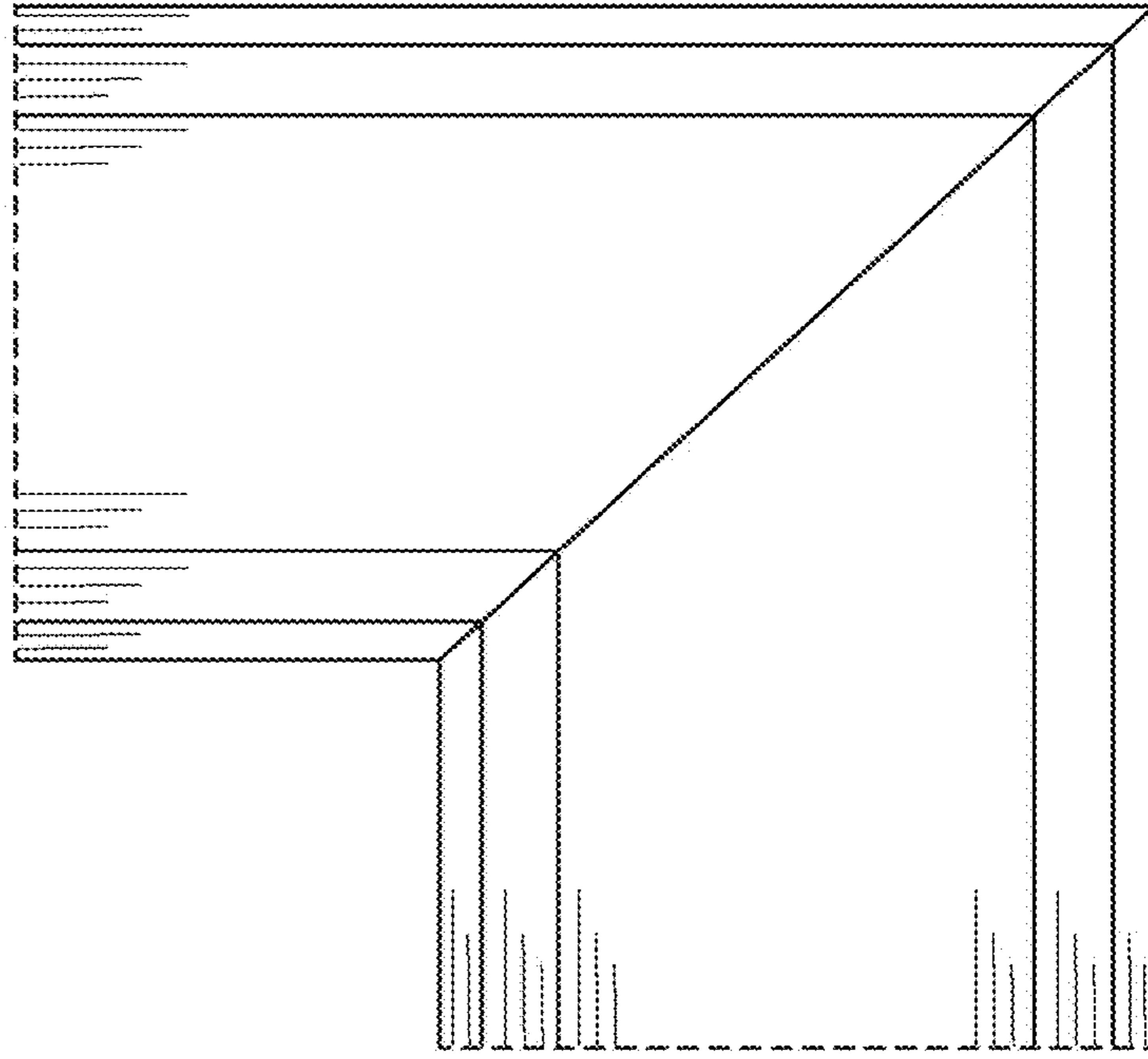


FIG. 7

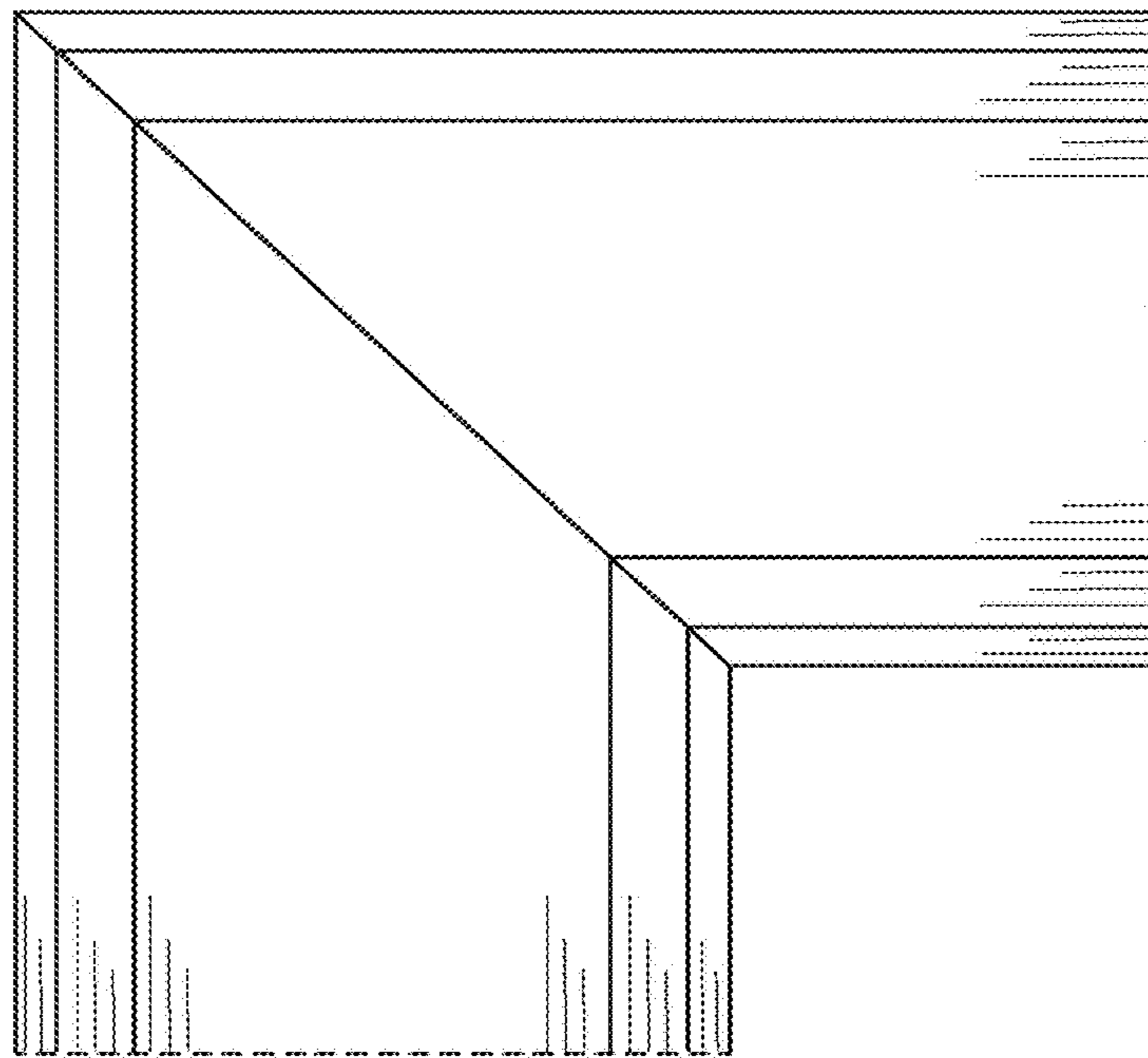


FIG. 8