



US0D1001320S

(12) **United States Design Patent**
Teffenhart, Jr.

(10) **Patent No.:** **US D1,001,320 S**

(45) **Date of Patent:** **** Oct. 10, 2023**

(54) **ANCHOR COUPLER**

(71) Applicant: **Thomas Joseph Teffenhart, Jr.**,
Sarasota, FL (US)

(72) Inventor: **Thomas Joseph Teffenhart, Jr.**,
Sarasota, FL (US)

(**) Term: **15 Years**

(21) Appl. No.: **29/757,821**

(22) Filed: **Nov. 10, 2020**

Related U.S. Application Data

(62) Division of application No. 29/654,155, filed on Jun. 21, 2018, now Pat. No. Des. 919,420.

(51) **LOC (14) Cl.** **08-08**

(52) **U.S. Cl.**
USPC **D8/382; D25/133**

(58) **Field of Classification Search**
USPC D22/108, 199; D25/133; D26/76, 78,
D26/113, 118-122, 138-152, 154-155;
D8/354, 382, 394, 395, 396, 499
CPC F21S 8/00; F21S 8/031; F21S 8/033; F21S
8/038; F21K 9/20; F21K 9/237; F21V
15/013; F21V 17/04; F21V 21/00; F21V
21/02; A23P 10/10; A23G 3/56; A23G
3/343; A21D 13/24; A21D 13/47
See application file for complete search history.

(56) **References Cited**

U.S. PATENT DOCUMENTS

1,788,096 A	12/1899	Friedemann	
1,997,876 A	4/1935	Sheldon et al.	
D172,449 S *	6/1954	Tedaldi et al.	D6/702
3,139,960 A	7/1964	Hammitt et al.	
3,143,165 A	8/1964	Lewis et al.	
3,222,841 A	12/1965	Robert et al.	
3,224,154 A	12/1965	Toti et al.	
3,332,197 A	7/1967	Hinkle et al.	

3,382,639 A	5/1968	Smith et al.
3,413,775 A	12/1968	Katz et al.
3,566,561 A	3/1971	Tozer et al.
3,686,805 A	8/1972	Pofferi et al.

(Continued)

Primary Examiner — T Chase Nelson

Assistant Examiner — Sydney Margaret Parsley

(74) *Attorney, Agent, or Firm* — Jacox, Meckstroth & Jenkins

(57) **CLAIM**

The ornamental design for an anchor coupler, as shown and described.

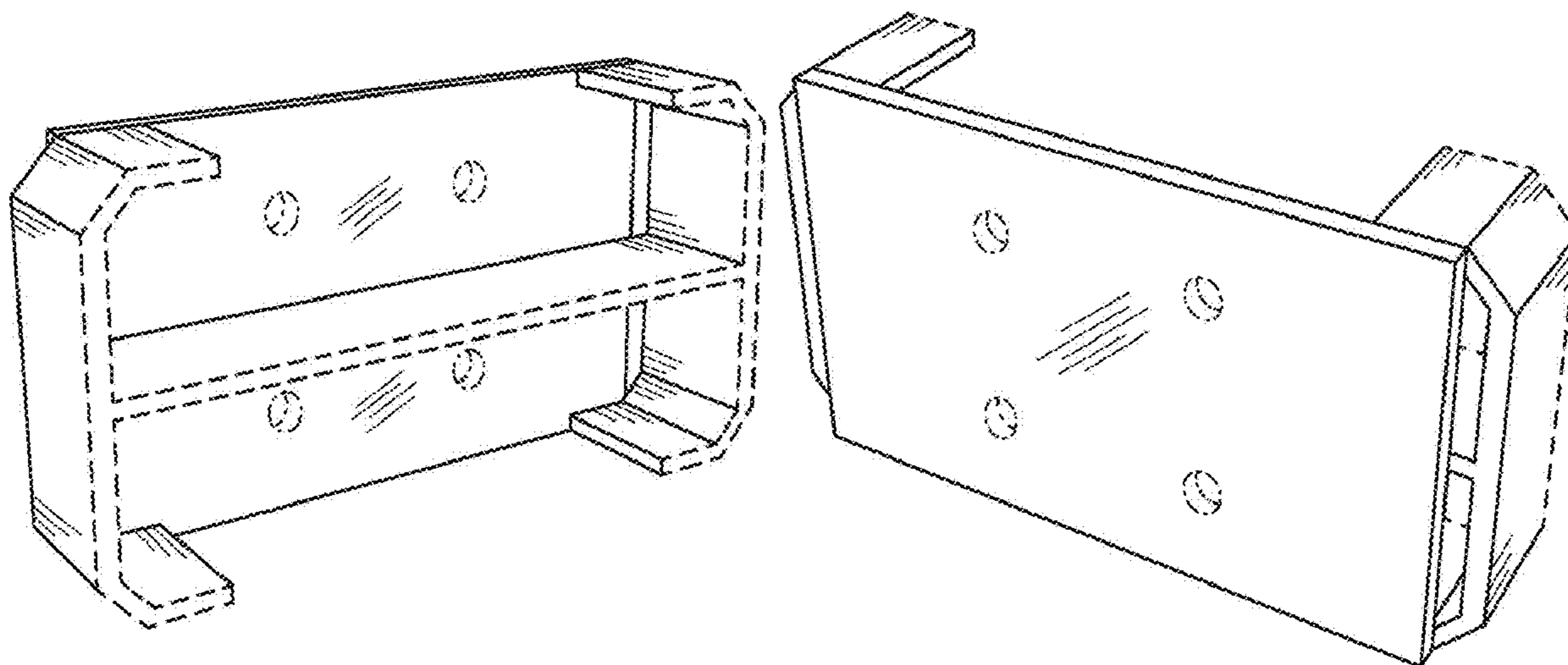
DESCRIPTION

FIG. 1 is a front perspective view of an anchor coupler in accordance with another embodiment of the invention; FIG. 2 is rear perspective view of the anchor coupler of FIG. 1; FIG. 3 is a top plan view of the anchor coupler of FIG. 1; FIG. 4 is a bottom plan view of the anchor coupler of FIG. 1; FIG. 5 is a right side elevation view of the anchor coupler of FIG. 1; FIG. 6 is a left side elevation view of the anchor coupler of FIG. 1; FIG. 7 is a front elevation view of the anchor coupler of FIG. 1; and, FIG. 8 is a rear elevation view of the anchor coupler of FIG. 1.

The broken dash dot lines shown in the figures are for the purpose of illustrating non-claimed portions and form no part of the claimed design. Neither the portions shown in broken dash lines nor the broken dash lines themselves form any part of the claimed design.

The broken dash lines shown in the figures are for the purpose of defining the bounds of the claimed design. The broken dash lines themselves form no part of claimed design.

1 Claim, 2 Drawing Sheets



(56)

References Cited

U.S. PATENT DOCUMENTS

3,711,133 A 1/1973 Werner et al.
 3,726,551 A 4/1973 Levenberg
 3,830,033 A 8/1974 Gahler
 3,831,336 A 8/1974 Diemer
 3,866,364 A 2/1975 Pollard
 4,002,000 A 1/1977 Howard et al.
 4,027,987 A 6/1977 Berkowitz
 4,057,941 A 11/1977 Schwartz
 4,112,853 A 9/1978 Tisbo et al.
 4,242,969 A 1/1981 Checkwood et al.
 D259,083 S 5/1981 Riegsecker
 4,270,872 A 6/1981 Kiyosawa
 4,323,319 A 4/1982 Adams
 4,368,998 A 1/1983 Pestoor
 4,456,497 A * 6/1984 Eberle B27M 3/0026
 52/750
 4,516,376 A 5/1985 King
 4,630,550 A 12/1986 Weitzman
 D294,888 S 3/1988 Kazanowski
 4,774,790 A 10/1988 Hopper
 4,987,717 A 1/1991 Dameron, Jr.
 5,031,083 A 7/1991 Claesson
 5,090,164 A 2/1992 Mische
 D343,909 S 2/1994 Flynn
 5,464,302 A 11/1995 Menchetti
 D373,832 S 9/1996 Nomura
 D374,488 S 10/1996 Wang
 5,590,974 A 1/1997 Yang
 D394,595 S * 5/1998 Walsh D8/90
 5,813,641 A 9/1998 Baldwin
 D400,080 S * 10/1998 Beard, Jr. D25/102
 5,881,508 A 3/1999 Irvine et al.
 D414,881 S 10/1999 Giese
 5,966,890 A 10/1999 Inman
 5,997,117 A 12/1999 Krietzman
 6,082,070 A 7/2000 Jen
 6,092,348 A 7/2000 Dombchik et al.
 6,357,196 B1 3/2002 McCombs
 6,385,941 B1 5/2002 Power, Jr. et al.
 6,405,504 B1 6/2002 Richardson
 6,430,888 B1 8/2002 Dombchik et al.
 6,601,362 B1 8/2003 Prince
 6,647,692 B1 * 11/2003 Roder E04H 15/34
 52/843
 6,668,495 B1 12/2003 Prince
 6,755,004 B1 6/2004 Power, Jr. et al.
 D493,235 S 7/2004 Strassle
 6,826,885 B2 12/2004 Raskin et al.
 D531,324 S 10/2006 Takagi
 D584,621 S 1/2009 Jean
 7,478,504 B2 1/2009 Huebner et al.
 D588,227 S * 3/2009 Swenson, III D22/108
 7,568,323 B2 8/2009 Shelton et al.
 7,628,563 B2 12/2009 Winkler
 D609,373 S * 2/2010 Curtas D25/199
 7,708,317 B2 5/2010 Leblanc
 7,743,538 B2 6/2010 Parenti et al.
 D620,618 S 7/2010 Teffenhart, Jr.

D620,619 S 7/2010 Teffenhart, Jr.
 7,870,699 B2 1/2011 Waggoner
 7,877,962 B2 2/2011 Teffenhart, Jr.
 7,883,288 B2 2/2011 Jorna
 D636,095 S 4/2011 Teffenhart, Jr.
 D666,743 S 9/2012 Teffenhart, Jr.
 D670,474 S 11/2012 Koch
 D679,237 S * 4/2013 Austro D25/119
 8,443,576 B2 5/2013 Petta
 8,720,839 B2 5/2014 Lijesnic
 8,726,583 B2 5/2014 Verdecia et al.
 8,756,900 B1 6/2014 Hudson et al.
 D713,054 S 9/2014 Teffenhart, Jr.
 D724,240 S * 3/2015 Ross D25/135
 D731,678 S 6/2015 Geldart
 D733,937 S 7/2015 Hillstrom et al.
 9,121,222 B2 9/2015 Walker et al.
 D744,317 S 12/2015 Densberger et al.
 D747,539 S * 1/2016 Santoro D26/120
 9,458,619 B2 10/2016 Bowron et al.
 D791,342 S 7/2017 Teffenhart, Jr.
 D811,199 S 2/2018 Bacallao
 9,920,534 B2 3/2018 Albert
 D832,679 S * 11/2018 Macdonald D8/349
 D860,058 S 9/2019 Norfleet et al.
 D872,875 S * 1/2020 Dettbarn E04C 3/14
 D25/61
 D880,009 S * 3/2020 Loughren E04C 5/065
 D25/126
 D882,386 S 4/2020 Zeilinger
 D886,933 S * 6/2020 Geissele D22/108
 D902,624 S * 11/2020 Fons D6/552
 D906,582 S * 12/2020 Trzcielinski E04C 3/18
 D26/138
 D933,755 S * 10/2021 Ornstein D8/382
 D951,530 S * 5/2022 Klus D26/138
 D959,239 S * 8/2022 Johnson B27M 3/0026
 D8/354
 D959,240 S * 8/2022 Smith D8/354
 2002/0046539 A1 4/2002 Schulz
 2002/0121068 A1 9/2002 Ng
 2003/0145555 A1 8/2003 Raskin et al.
 2005/0284078 A1 * 12/2005 Marsland E04C 3/18
 52/642
 2006/0179766 A1 8/2006 Waggoner
 2007/0074480 A1 4/2007 Kleila et al.
 2007/0266671 A1 11/2007 Chromy
 2008/0016816 A1 1/2008 Kim
 2008/0168738 A1 7/2008 Shelton et al.
 2008/0250737 A1 10/2008 Hall et al.
 2009/0178360 A1 7/2009 Teffenhart, Jr.
 2011/0036050 A1 2/2011 Callahan
 2011/0036051 A1 2/2011 Callahan
 2011/0036052 A1 2/2011 Callahan
 2011/0113717 A1 5/2011 Teffenhart, Jr.
 2011/0155315 A1 * 6/2011 Von Pinnon E04C 3/14
 156/257
 2013/0306808 A1 11/2013 Huang
 2017/0097030 A1 4/2017 Keller
 2019/0116861 A1 4/2019 Zeilinger

* cited by examiner

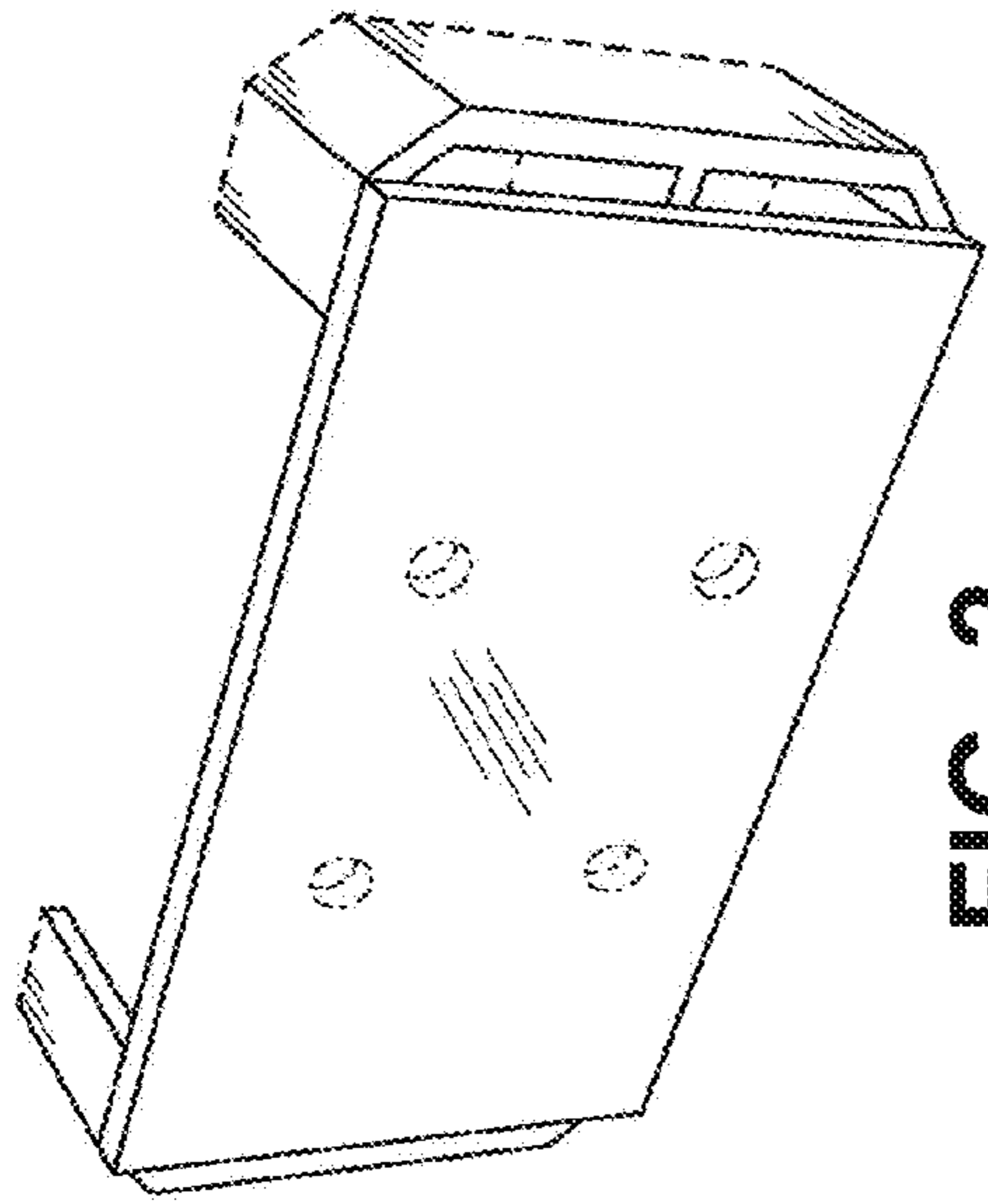


FIG. 1

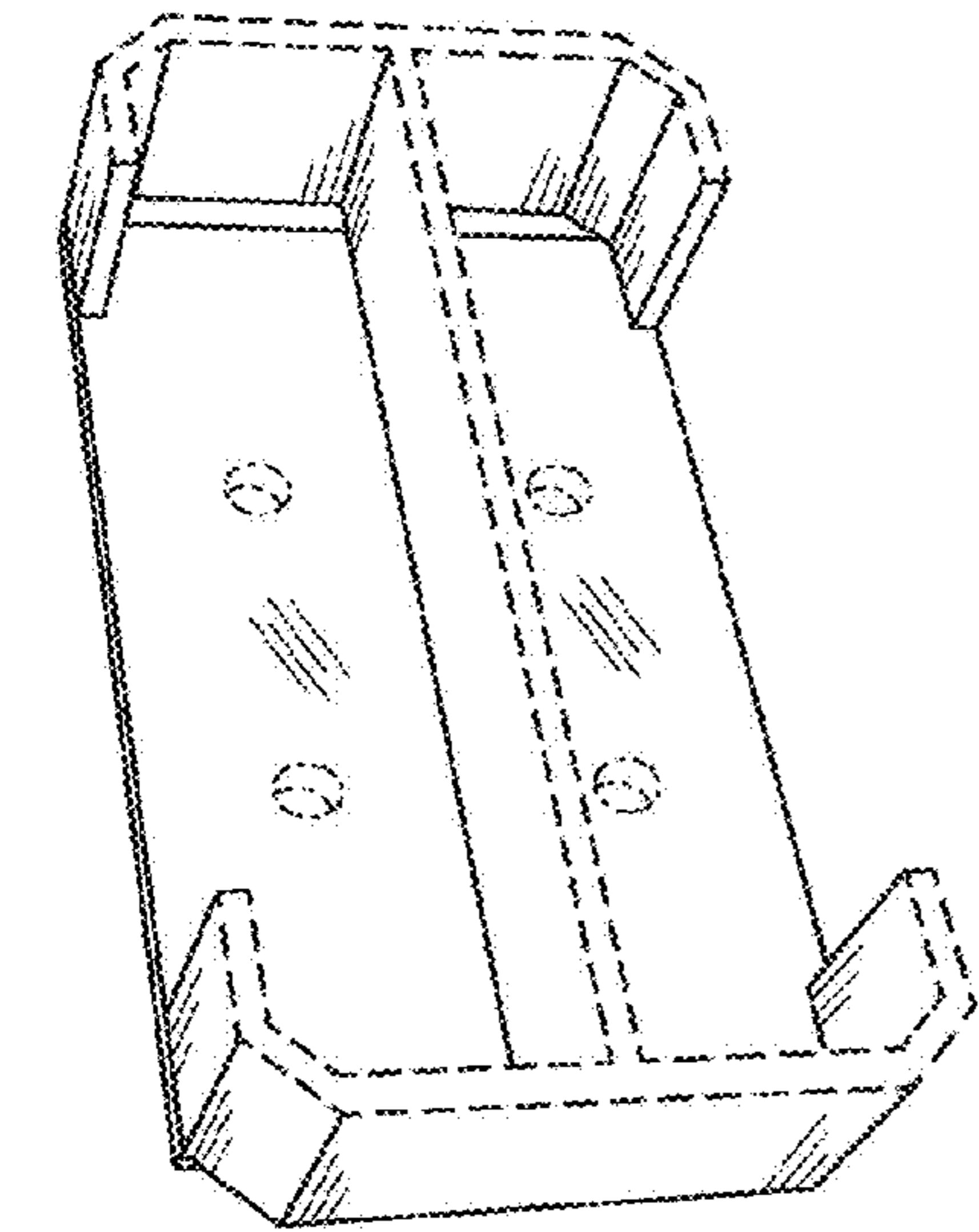


FIG. 2

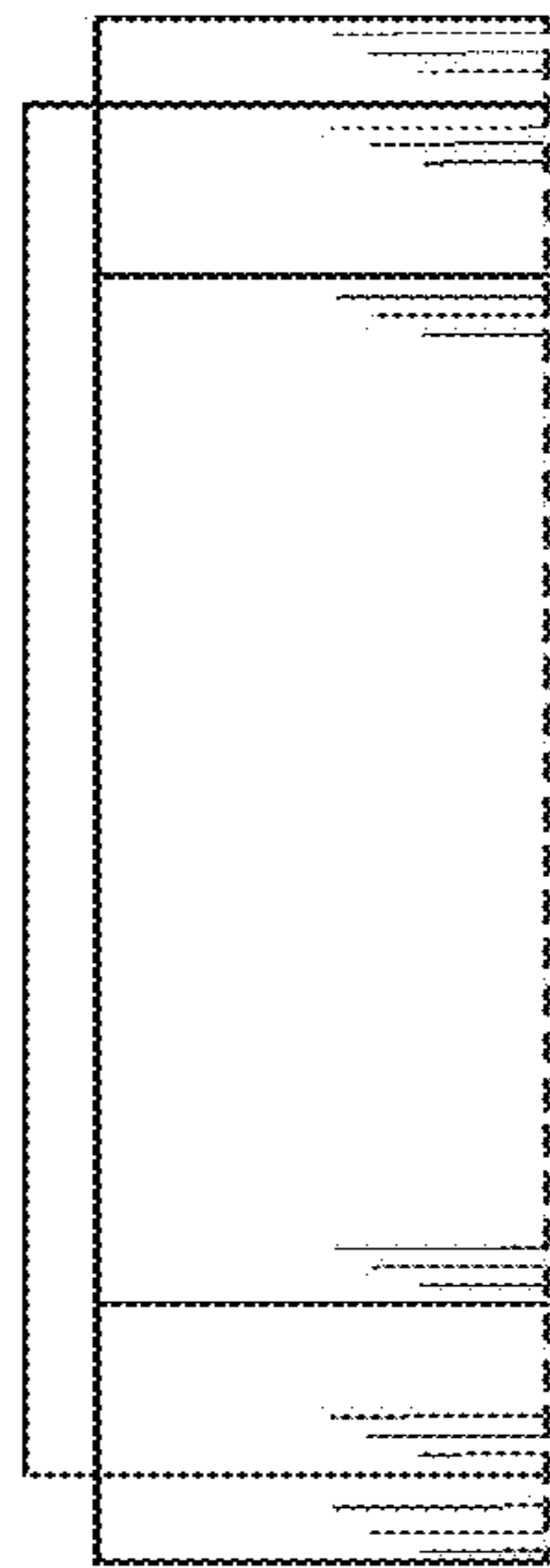


FIG. 3

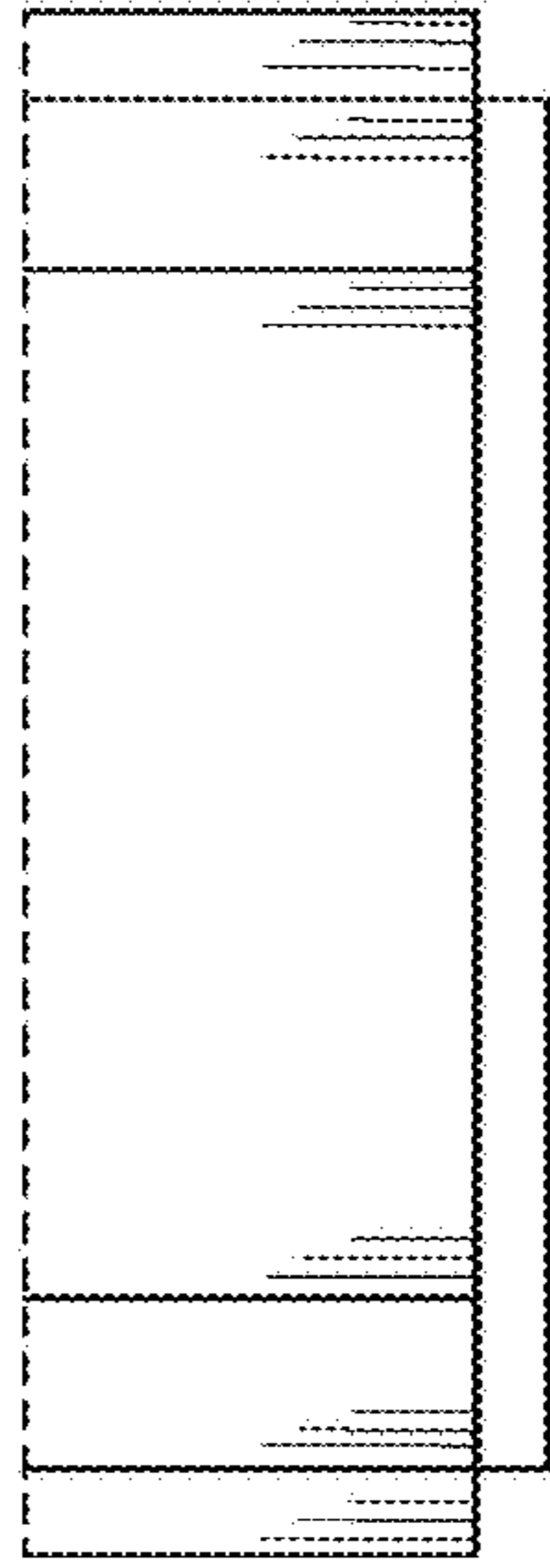


FIG. 4

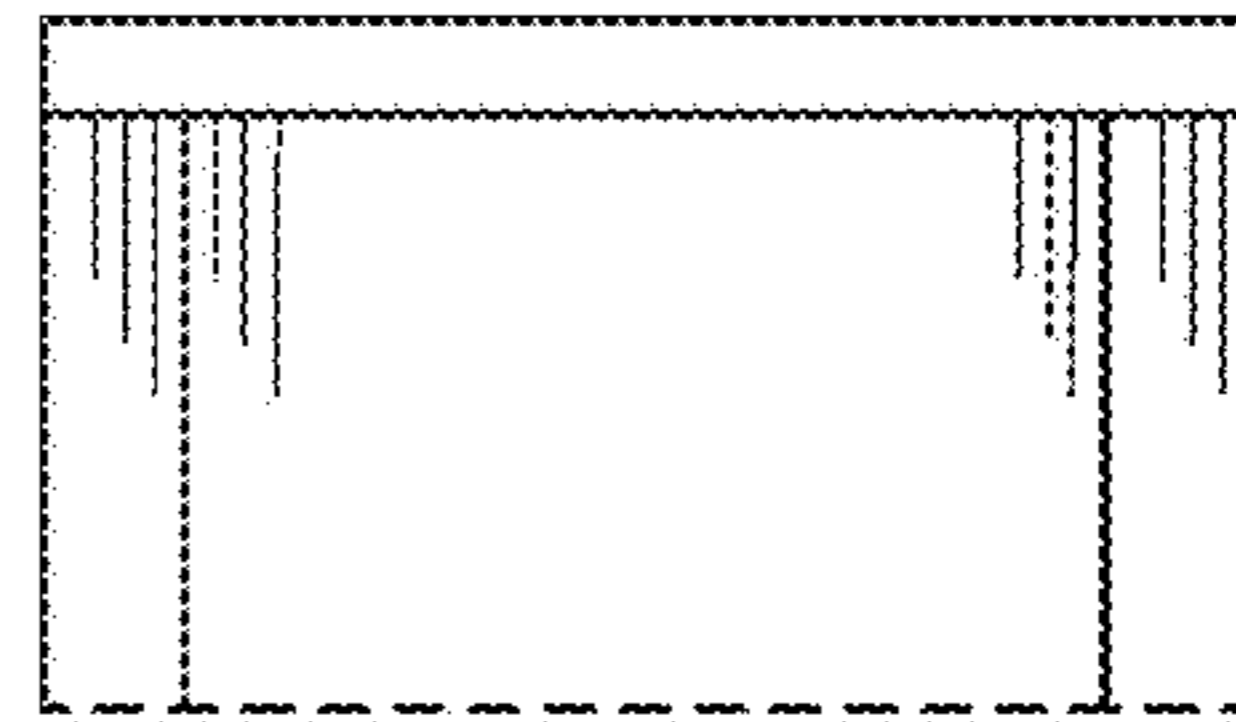


FIG. 5

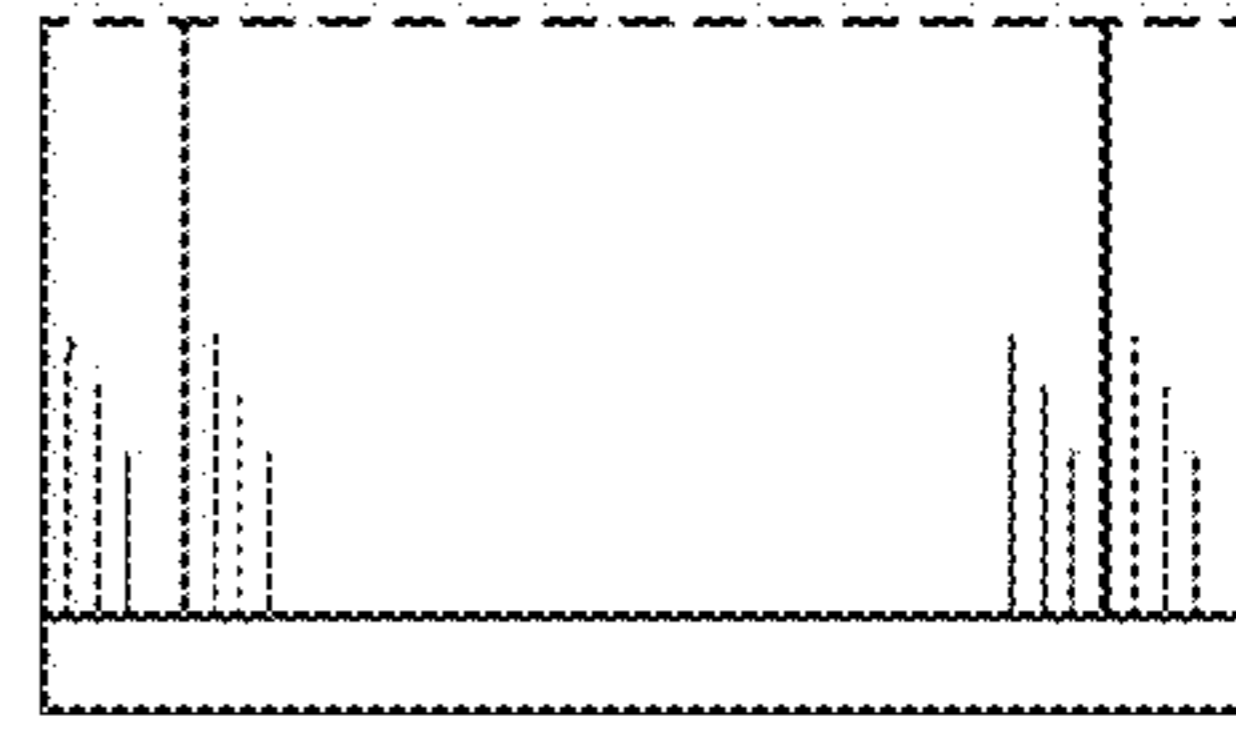


FIG. 6

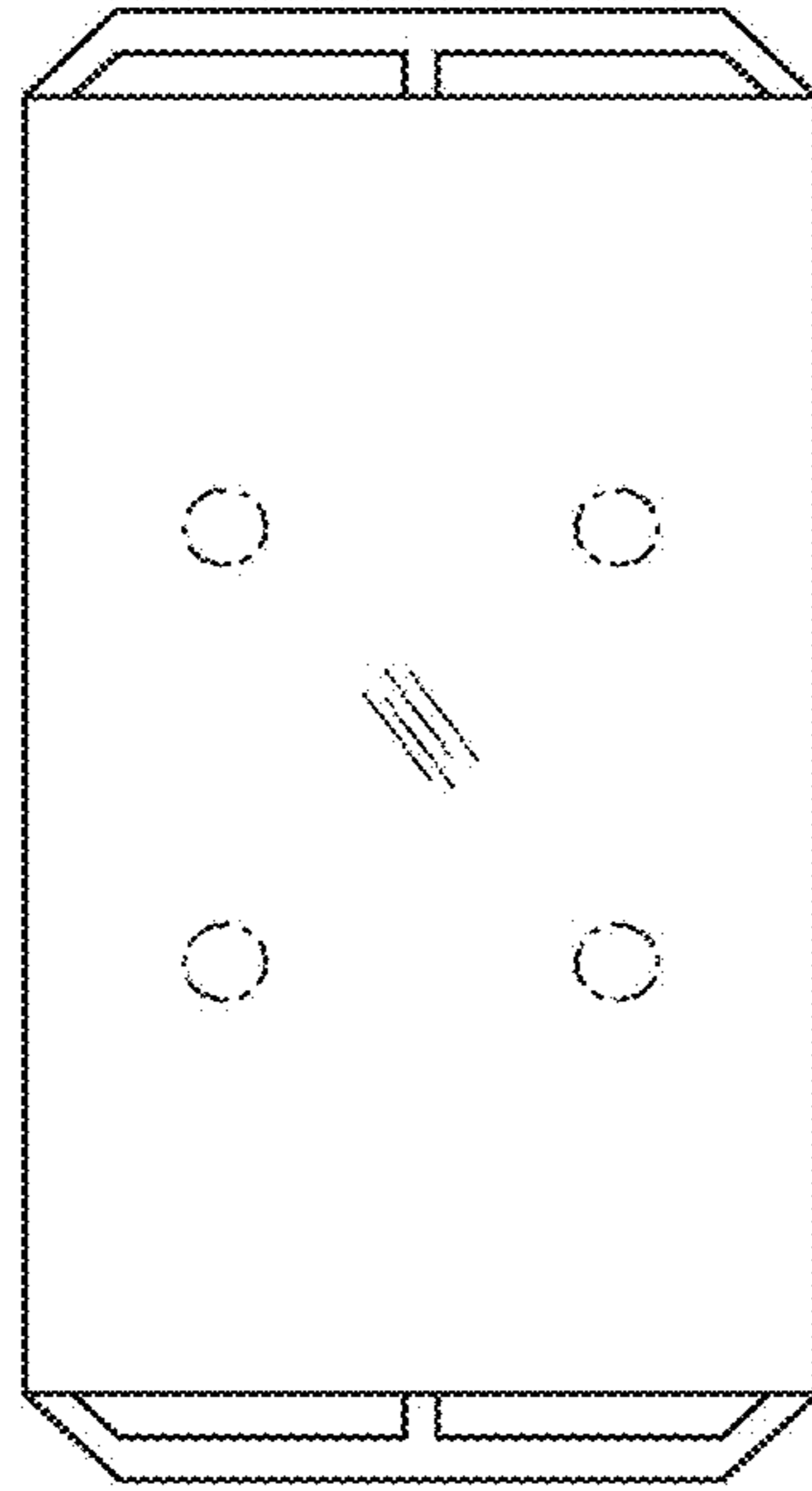


FIG. 8

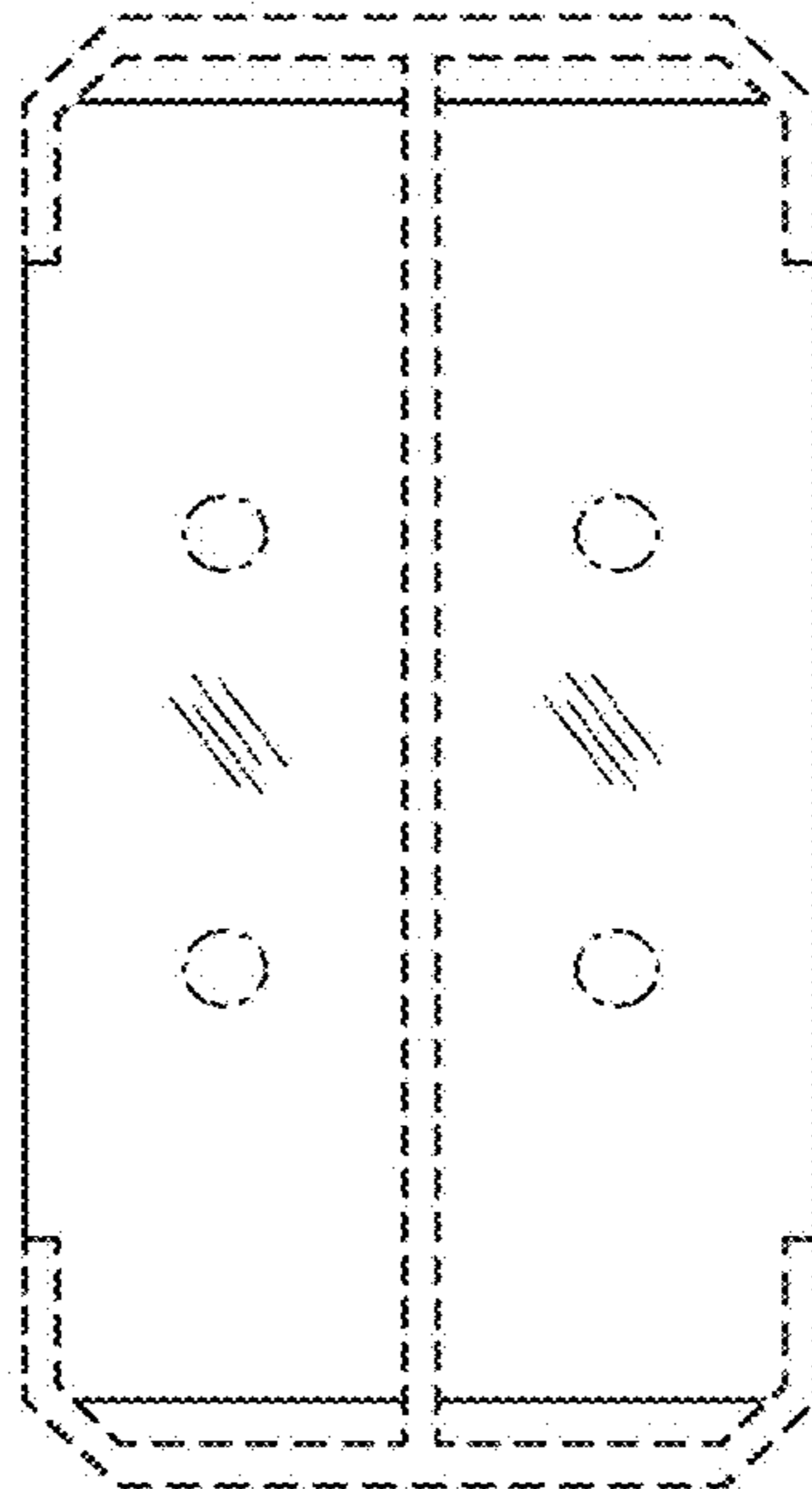


FIG. 7