



US0D1007692S

(12) **United States Design Patent**
Habosha

(10) **Patent No.:** **US D1,007,692 S**

(45) **Date of Patent:** **** Dec. 12, 2023**

(54) **PENGUIN TEETHER**

(71) Applicant: **Moshe Habosha**, Fort Laderdale, FL (US)

(72) Inventor: **Moshe Habosha**, Fort Laderdale, FL (US)

(73) Assignee: **SMOOCH BABIES, LLC**, North Miami Beach, FL (US)

(**) Term: **15 Years**

(21) Appl. No.: **29/882,080**

(22) Filed: **Jan. 10, 2023**

(51) **LOC (14) Cl.** **24-04**

(52) **U.S. Cl.**
USPC **D24/195**

(58) **Field of Classification Search**
USPC D24/193, 194, 195, 214; D30/160;
D1/101, 104, 106, 111, 114, 115, 125,
D1/199; D21/483, 514, 576, 587, 588,
D21/606, 607, 608, 610; D11/79;
D7/642, 643
CPC A61J 17/02; A61J 17/107; A61J 9/005;
A61J 15/0011
See application file for complete search history.

(56) **References Cited**

U.S. PATENT DOCUMENTS

D698,954 S *	2/2014	Wang	D26/38
D713,968 S *	9/2014	Hyslop	D24/194
D739,033 S *	9/2015	Lee	D24/195
D768,303 S *	10/2016	Pauschitz	D24/195
D866,774 S *	11/2019	Wang	D24/194
D866,775 S *	11/2019	Peng	D24/195
D887,016 S *	6/2020	Aslan	D24/195
D907,786 S *	1/2021	Khersonenko	D24/195

D950,080 S *	4/2022	Edlund Tjernberg	D24/195
2015/0209240 A1 *	7/2015	Steward	A61J 17/02 606/235
2018/0369074 A1 *	12/2018	Tegeder	A61J 17/02
2020/0352828 A1 *	11/2020	Romig	A61J 17/02
2021/0322282 A1 *	10/2021	Lee	A61J 17/02

OTHER PUBLICATIONS

“Smily Mia: Penguin Buddy Never-Drop Mitt”. Found online Jul. 7, 2022 at amazon.co.uk. Reference dated Nov. 17, 2020. Retrieved from <https://www.amazon.co.uk/Smily-Mia-Wearable-Breast-Feeding-Pacifiers/dp/B08NQ169XF/>.*

“CozyPanda: Baby Teether: ChickChick Never-Drop Mitt”. Found online Aug. 12, 2022 at amazon.com. Reference dated May 5, 2022. Retrieved from <https://www.amazon.com/COZYPANDA-Teether-Teething-Silicone-Pacifier/dp/B09W91X7JW/>.*

(Continued)

Primary Examiner — Kendra Leslie Hamilton

(74) *Attorney, Agent, or Firm* — Barry Choobin; Patent 360

(57) **CLAIM**

The ornamental design for a penguin teether, as shown and described.

DESCRIPTION

FIG. 1 is a perspective view of a penguin teether, showing my new design;

FIG. 2 is another perspective view thereof;

FIG. 3 is a front view thereof;

FIG. 4 is a rear view thereof;

FIG. 5 is a right side view thereof;

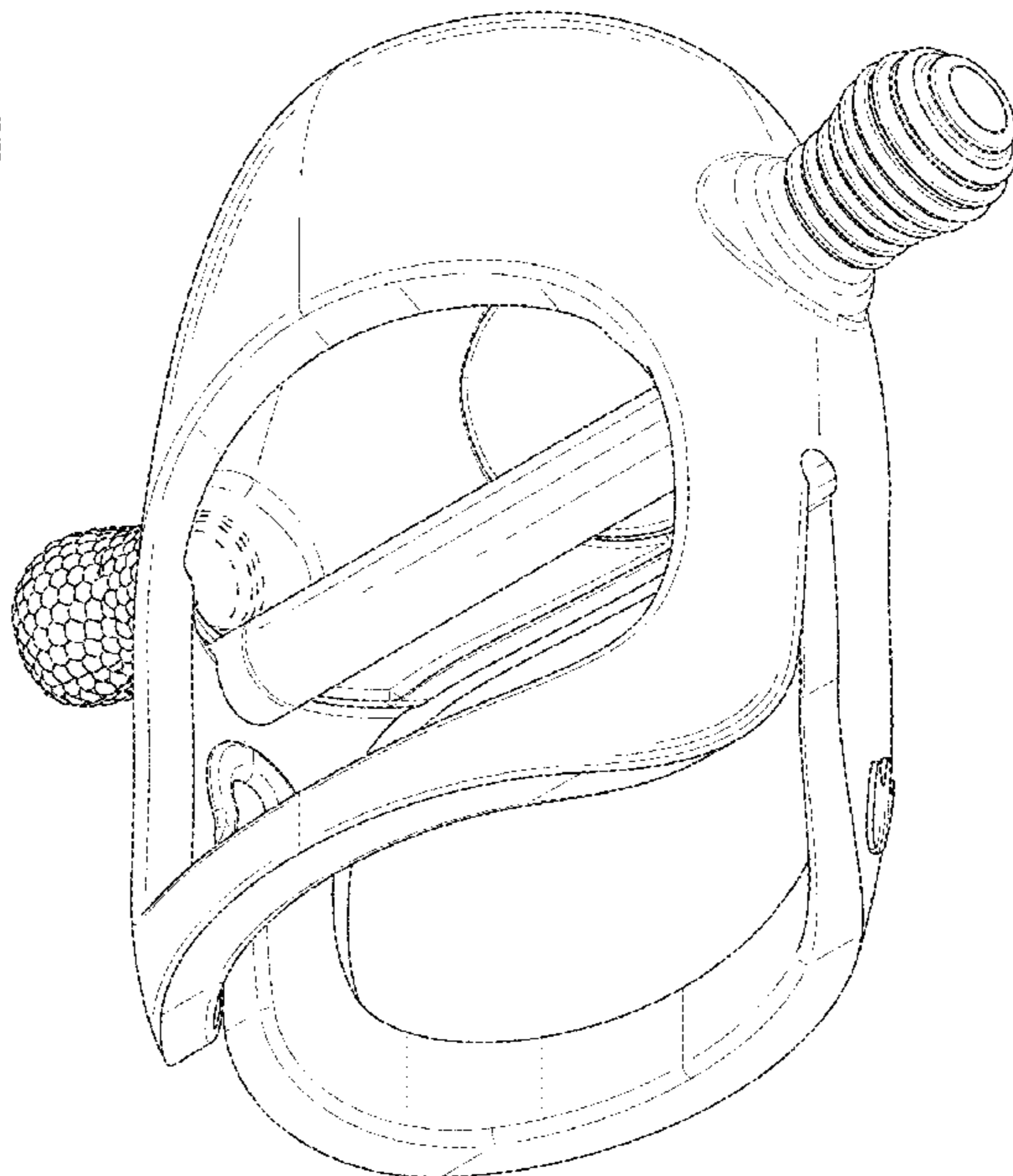
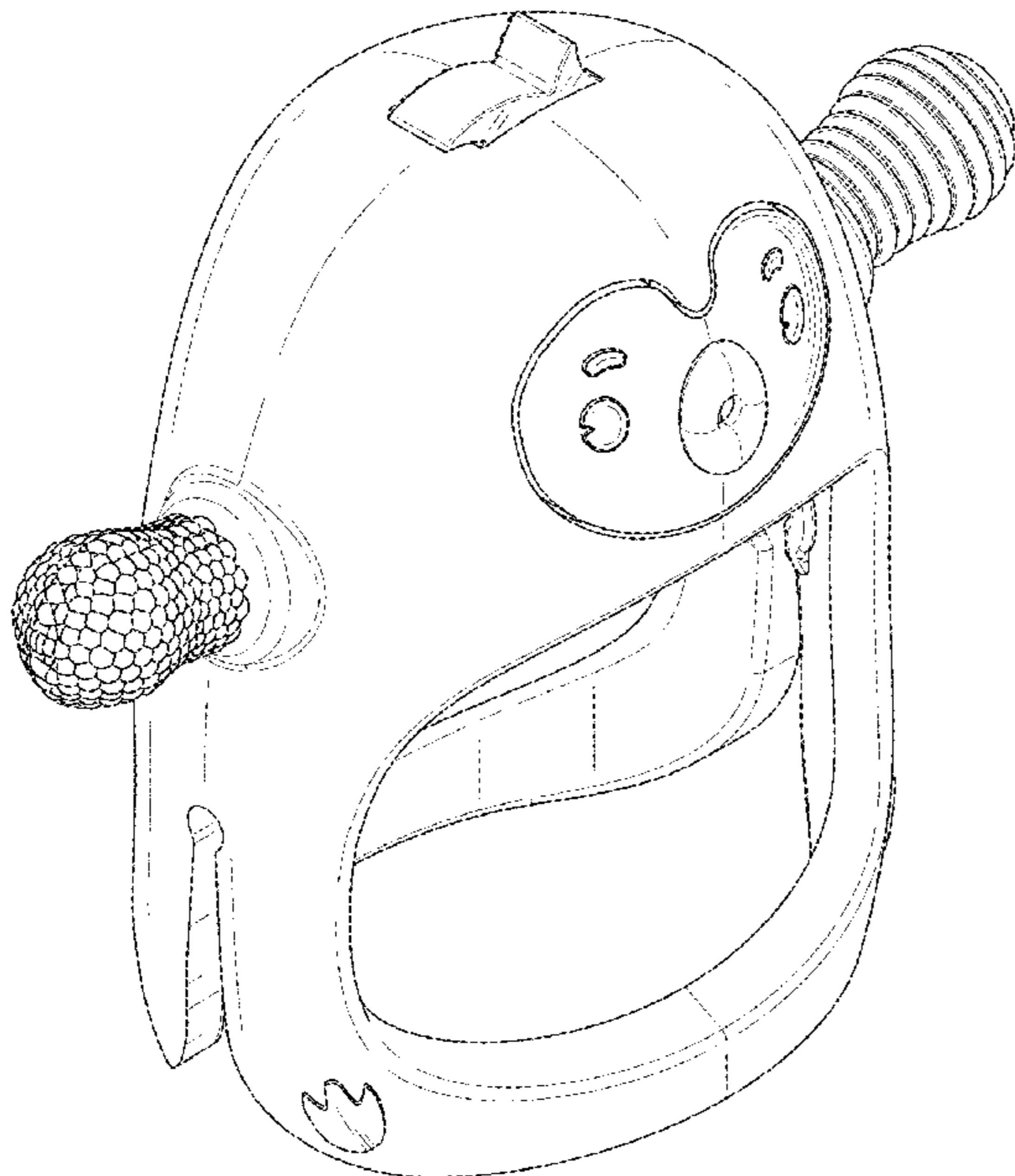
FIG. 6 is a left side view thereof;

FIG. 7 is a top view thereof; and,

FIG. 8 is a bottom view thereof.

The broken lines depict portions of the penguin teether that form no part of the claimed design.

1 Claim, 8 Drawing Sheets



(56)

References Cited

OTHER PUBLICATIONS

“Towwi: Baby Teether: Bear Never-Drop Mitt”. Found online Jul. 7, 2022 at amazon.com. Reference dated Oct. 16, 2021. Retrieved from <https://www.amazon.com/Towwi-Wrapped-Teething-Toddler-Washable/dp/B09DSQD7NX/>.*

“Ckeyin: Owl Baby Teething Ring”. Found online Jul. 16, 2019 at amazon.fr. Reference dated Apr. 2, 2018. Retrieved from <https://www.amazon.fr/dp/B07C9X1XTF/>.*

* cited by examiner

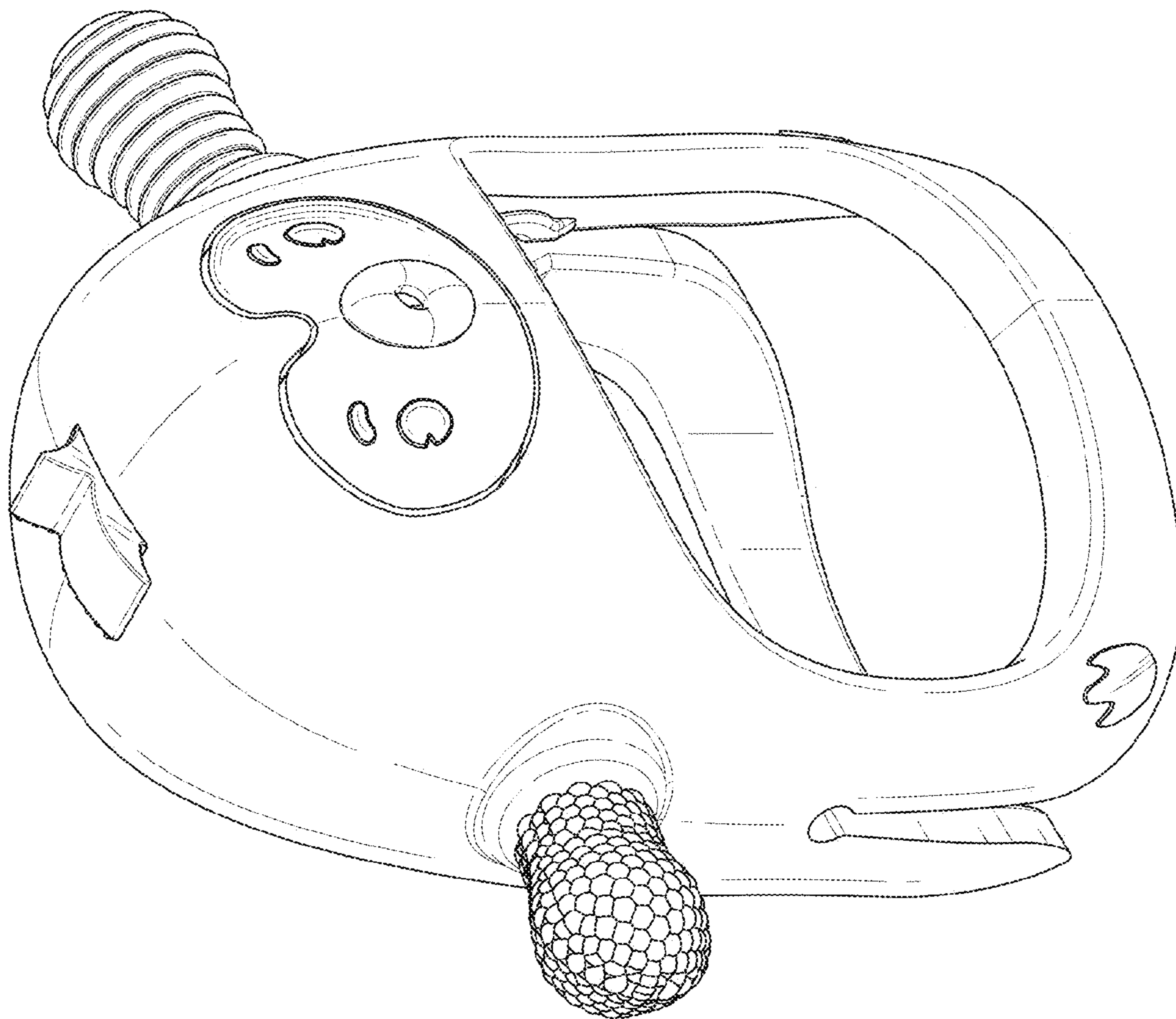


FIG. 1

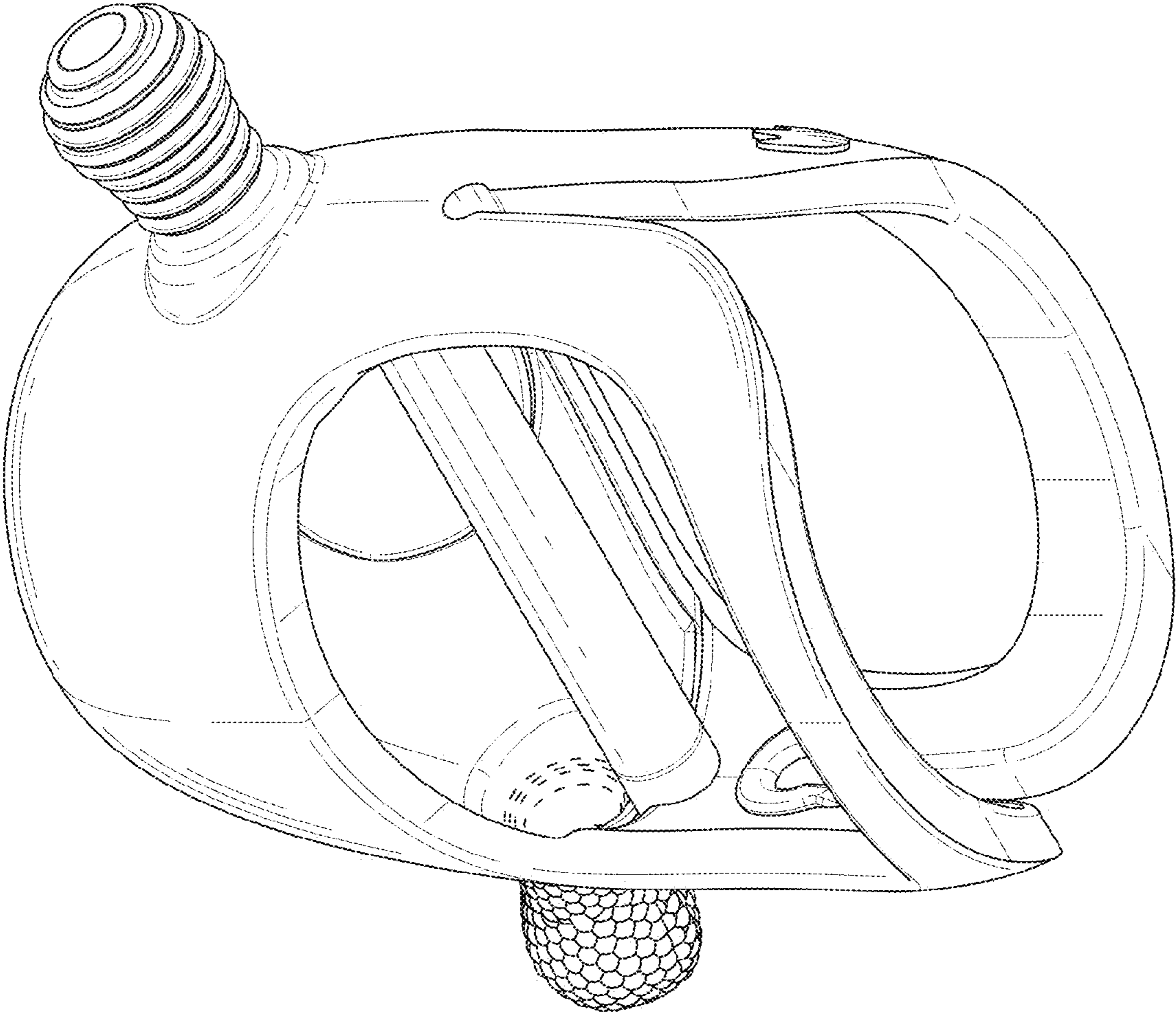


FIG. 2

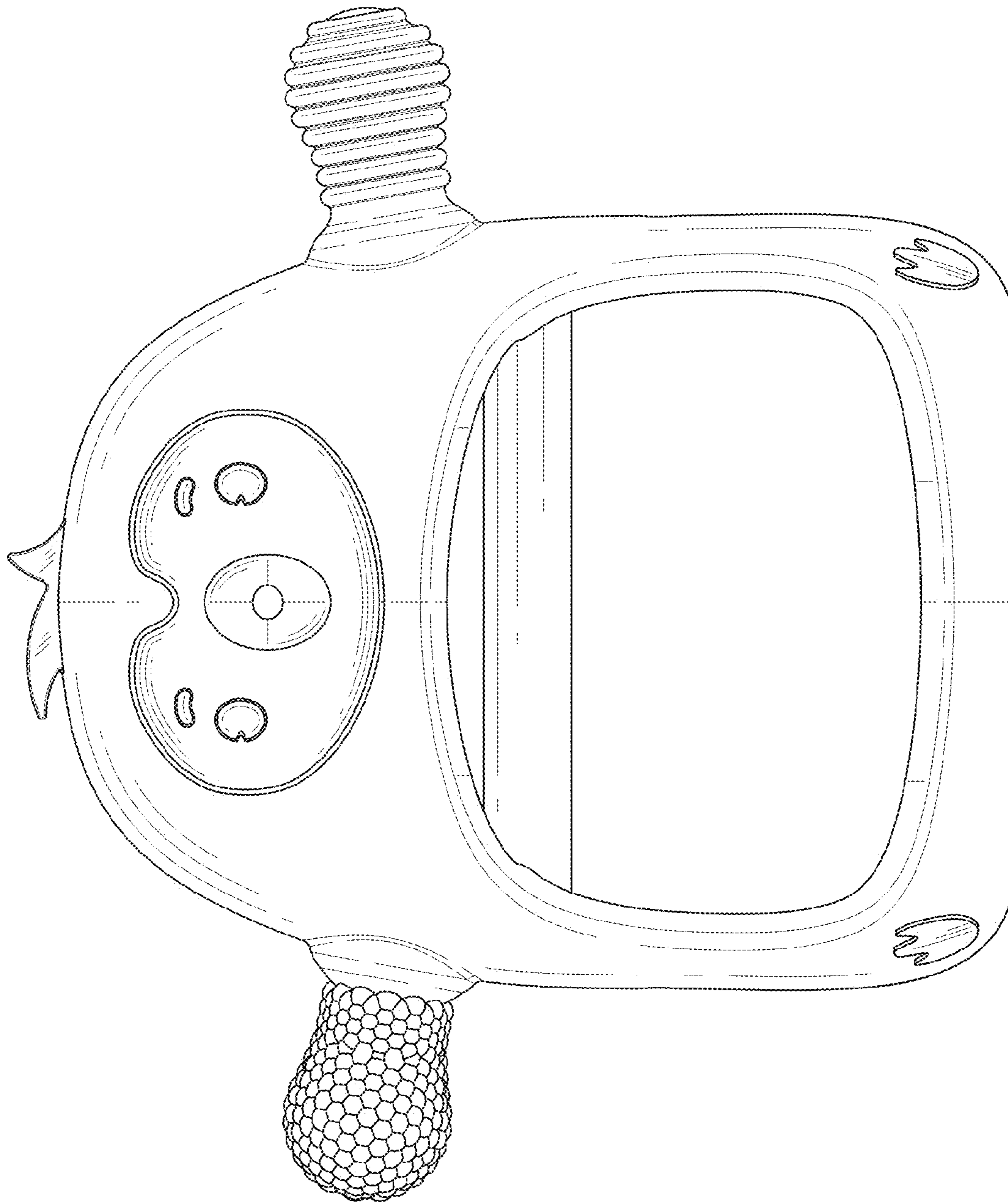


FIG. 3

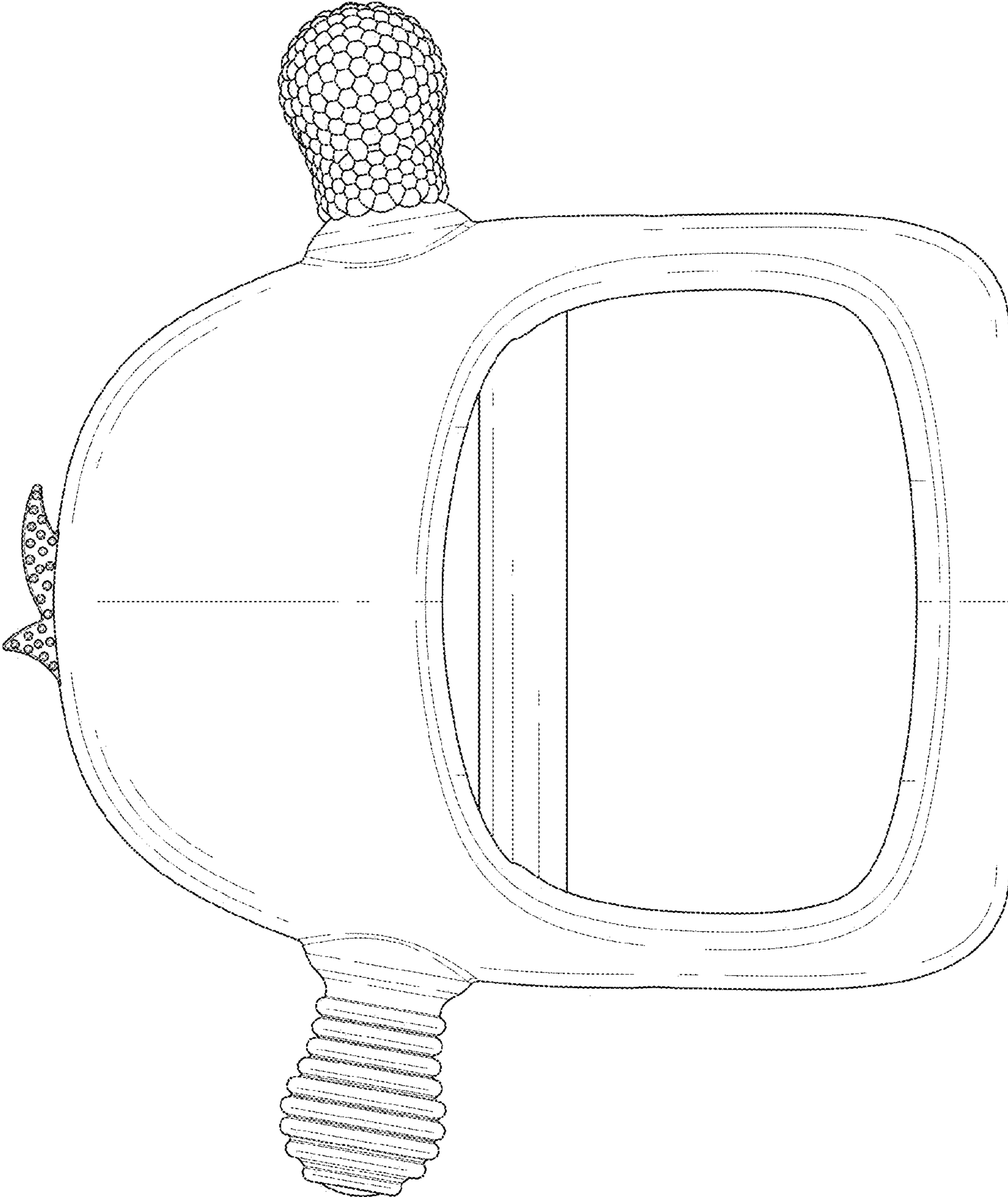


FIG. 4

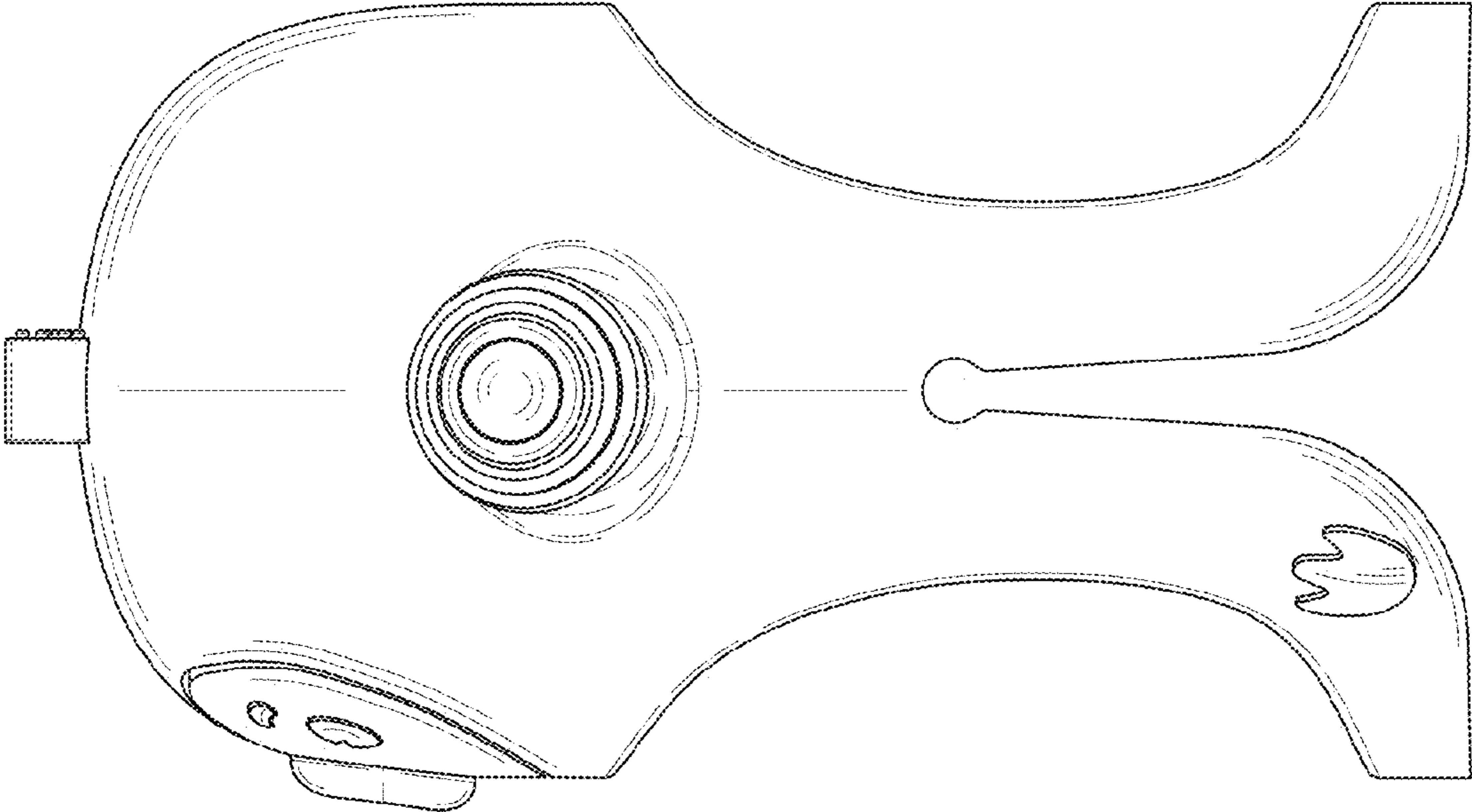


FIG. 5

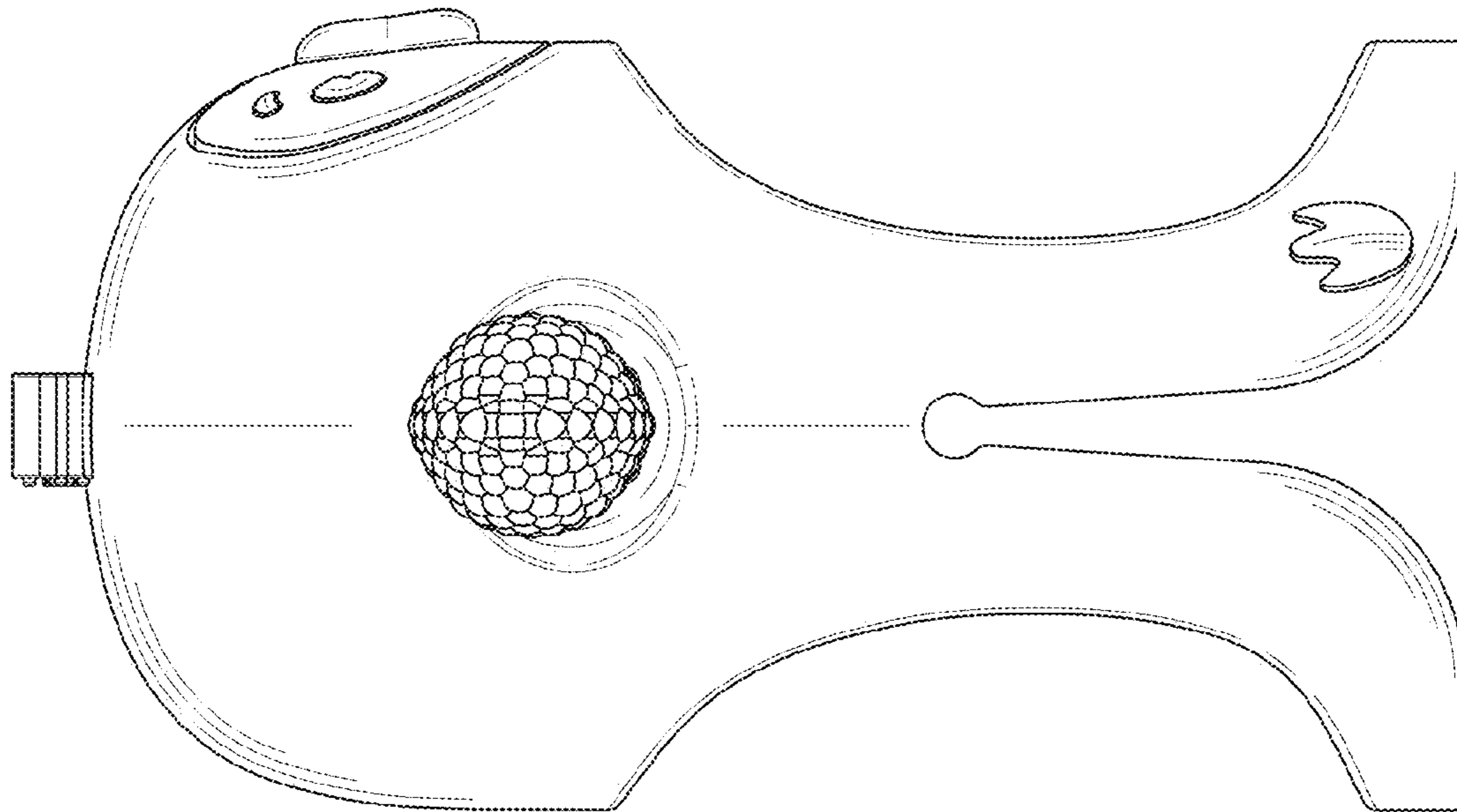


FIG. 6

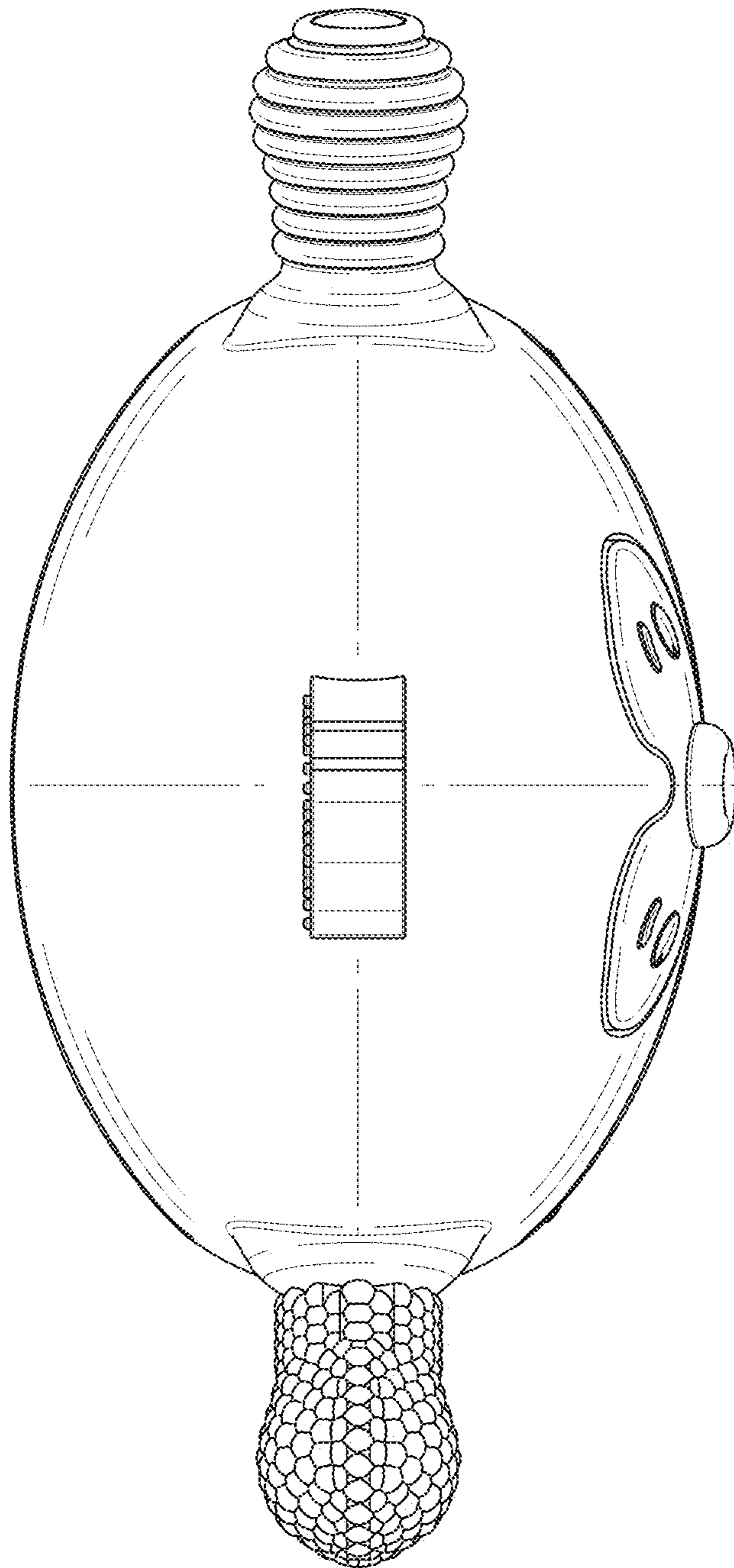


FIG.7

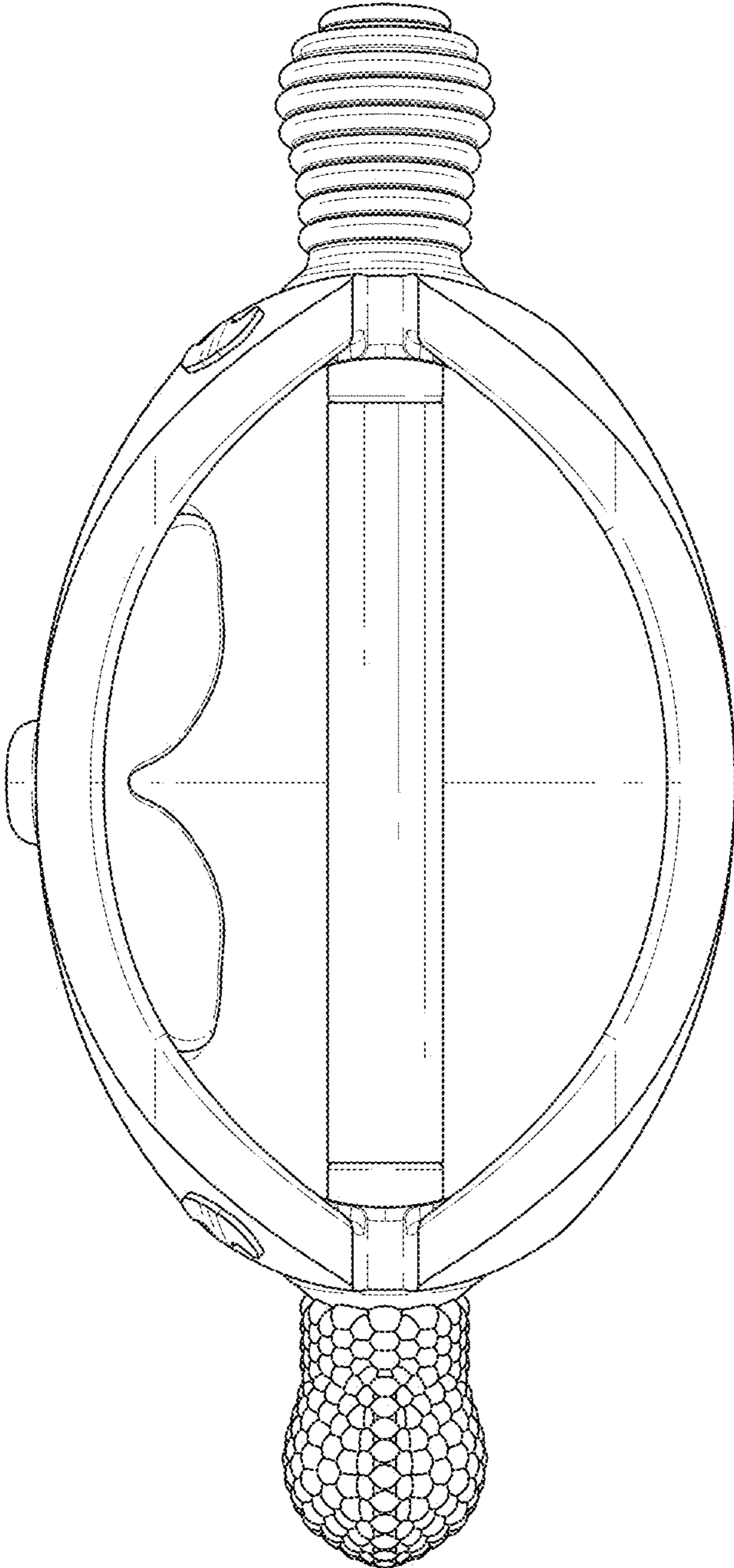


FIG. 8