



US0D1009161S

(12) **United States Design Patent**
Kujawski

(10) **Patent No.:** **US D1,009,161 S**

(45) **Date of Patent:** **** Dec. 26, 2023**

(54) **ELECTRONIC CONSOLE**

(71) Applicant: **Microsoft Corporation**, Redmond, WA (US)

(72) Inventor: **Christopher H. Kujawski**, Bellevue, WA (US)

(73) Assignee: **Microsoft Corporation**, Redmond, WA (US)

(**) Term: **15 Years**

(21) Appl. No.: **29/840,830**

(22) Filed: **Jun. 1, 2022**

(51) **LOC (14) Cl.** **21-01**

(52) **U.S. Cl.**
USPC **D21/332**

(58) **Field of Classification Search**
USPC D21/332, 333, 348, 349; D14/257, 401, D14/486, 496
CPC A63F 13/24; A63F 9/00; A63F 9/24; A63F 11/00; A63F 13/00; A63F 13/02; A63F 2300/00; G07F 17/00
See application file for complete search history.

(56) **References Cited**

U.S. PATENT DOCUMENTS

D223,304 S *	4/1972	Doggart	D10/118
D448,810 S *	10/2001	Goto	D21/324
D454,374 S *	3/2002	Ashida	D21/324
D483,809 S *	12/2003	Lim	D21/324
D487,460 S *	3/2004	Lee	D14/368
D520,519 S *	5/2006	Chin	D14/203.3
D537,817 S *	3/2007	Andre	D14/314
D542,752 S *	5/2007	Liang	D14/507
D582,384 S *	12/2008	Christopher	D14/188
D585,060 S *	1/2009	Han	D14/358
D597,535 S *	8/2009	Brennwald	D14/240
D601,583 S *	10/2009	Andre	D14/496

D601,585 S *	10/2009	Andre	D14/496
D621,397 S *	8/2010	Andre	D14/314
D657,784 S *	4/2012	Akana	D14/314
D660,834 S *	5/2012	Akana	D14/314
D686,201 S *	7/2013	Lee	D14/348
D689,051 S *	9/2013	Lee	D14/125
D694,745 S *	12/2013	Akana	D14/314
D705,748 S *	5/2014	He	D14/155
D720,347 S *	12/2014	Lo	D14/348
D756,990 S *	5/2016	Akana	D14/314
D763,262 S *	8/2016	Hallar	D14/434
D765,140 S *	8/2016	Peng	D14/496
D777,724 S *	1/2017	Sterzick	D14/348
D780,137 S *	2/2017	Tallqvist	D14/125
D786,791 S *	5/2017	Jeong	D13/108
D796,434 S *	9/2017	Li	D13/108
D805,130 S *	12/2017	Sparks	D21/332
D806,657 S *	1/2018	Russo	D10/104.1
D807,840 S *	1/2018	Lee	D14/125
D807,841 S *	1/2018	Lee	D14/125

(Continued)

Primary Examiner — Mehri F Bajoul

(74) *Attorney, Agent, or Firm* — Banner & Witcoff, Ltd.

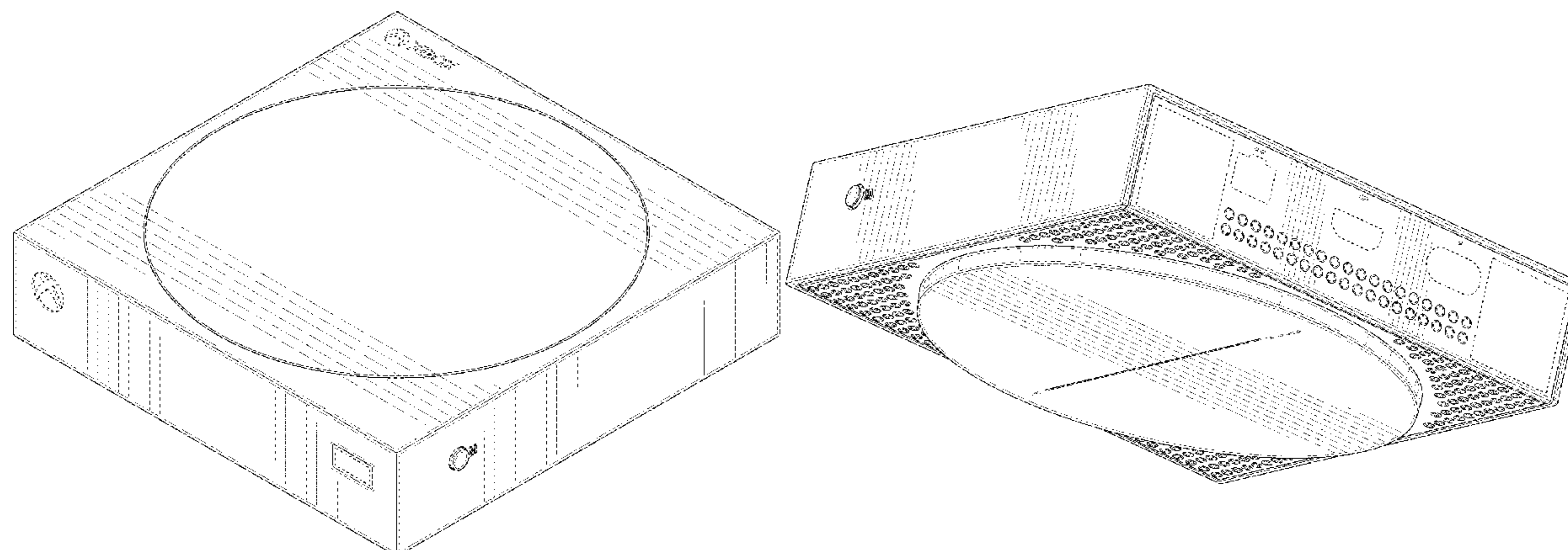
(57) **CLAIM**

The ornamental design for an electronic console, as shown and described.

DESCRIPTION

FIG. 1 is a front perspective view of an electronic console showing my new design;
FIG. 2 is a front view thereof;
FIG. 3 is a rear view thereof;
FIG. 4 is a left side view thereof;
FIG. 5 is a right side view thereof;
FIG. 6 is a top view thereof;
FIG. 7 is a bottom view thereof; and,
FIG. 8 is a rear bottom perspective view thereof.
The broken lines depicting features of the electronic console in FIGS. 1-8 form no part of the claimed design.

1 Claim, 8 Drawing Sheets



(56)

References Cited

U.S. PATENT DOCUMENTS

D812,560	S	*	3/2018	Xu	D13/107
D820,358	S	*	6/2018	Sparks	D21/332
D826,334	S	*	8/2018	Christie	D14/496
D826,336	S	*	8/2018	Christie	D14/496
D827,032	S	*	8/2018	Christie	D14/496
D829,110	S	*	9/2018	Skurdal	D10/2
D830,869	S	*	10/2018	Siminoff	D10/106.1
D831,597	S	*	10/2018	Lee	D14/125
D839,353	S	*	1/2019	Christie	D14/496
D839,355	S	*	1/2019	Christie	D14/496
D844,006	S	*	3/2019	Molnár	D14/434
D849,006	S	*	5/2019	Pang	D14/433
D869,426	S	*	12/2019	Sandlund	D14/203.1
D879,076	S	*	3/2020	Sahlin	D14/225
D906,959	S	*	1/2021	Turksu	D13/108
D910,590	S	*	2/2021	Laine	D14/203.1
D910,591	S	*	2/2021	Vossel	D14/203.1
D914,680	S	*	3/2021	Traitel	D14/358
D935,394	S	*	11/2021	Qiu	D13/108
D939,501	S	*	12/2021	Ledbetter	D14/348
D959,405	S	*	8/2022	Vossel	D14/203.1
D961,432	S	*	8/2022	Liu	D10/106.1
D961,596	S	*	8/2022	Fonti	D13/184
D978,093	S	*	2/2023	Jeong	D14/125
D982,546	S	*	4/2023	Laine	D14/203.1

* cited by examiner

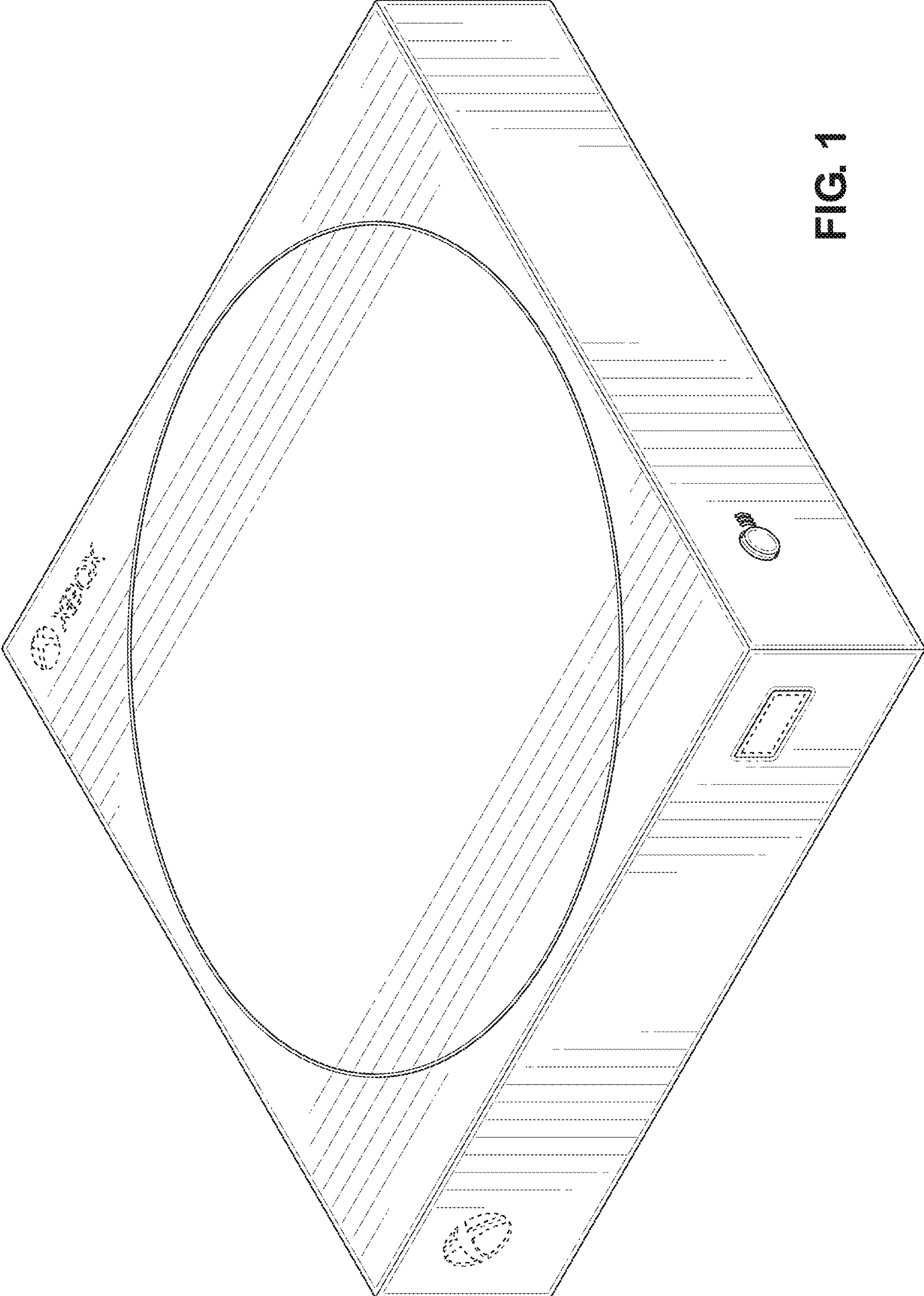


FIG. 1

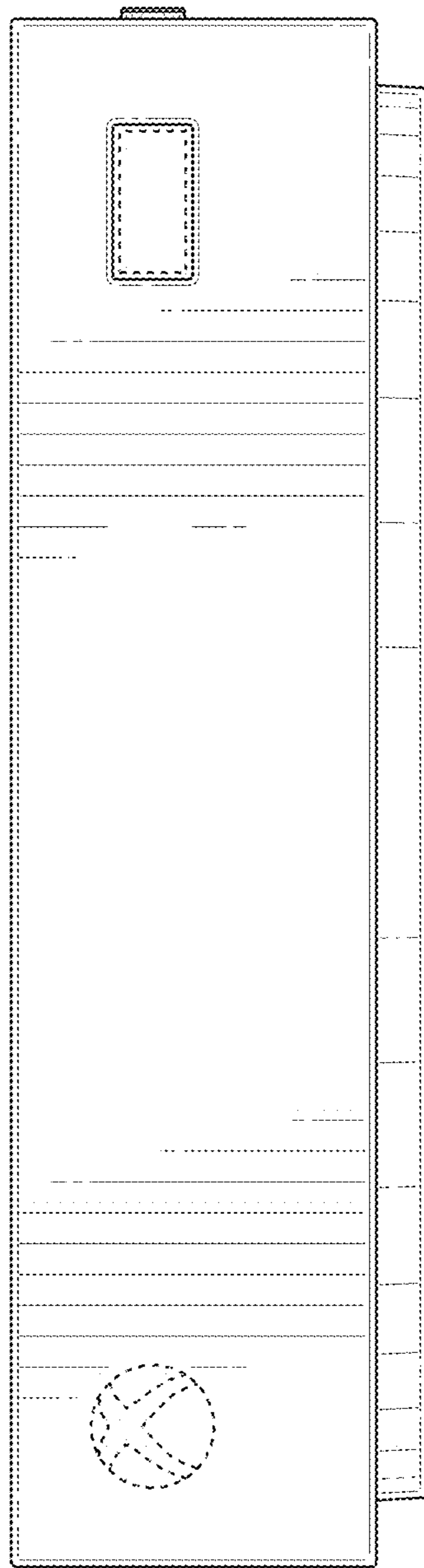


FIG. 2

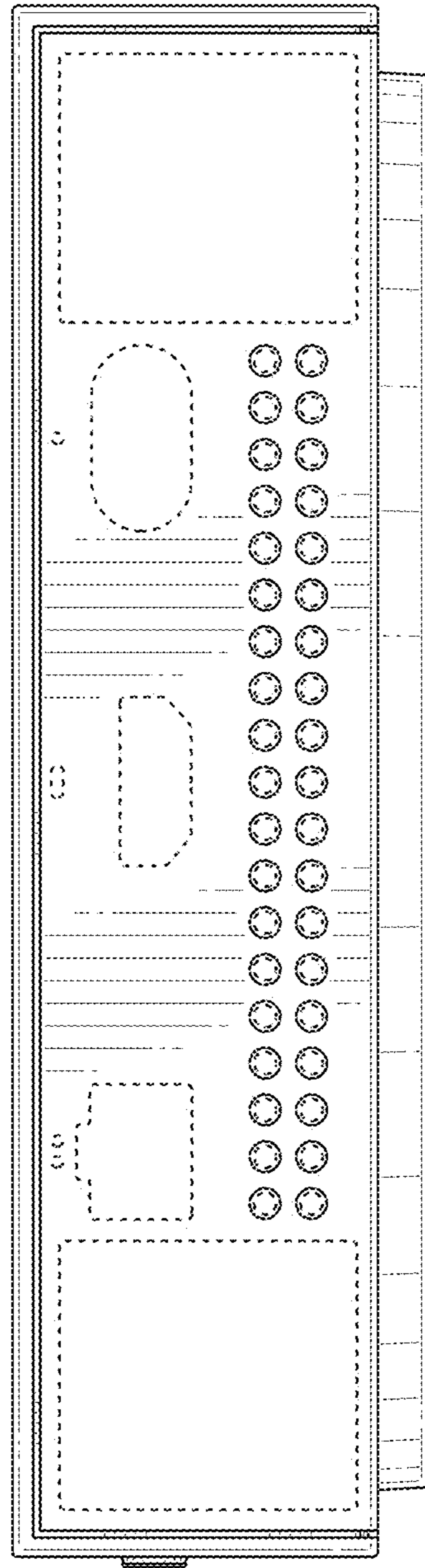


FIG. 3

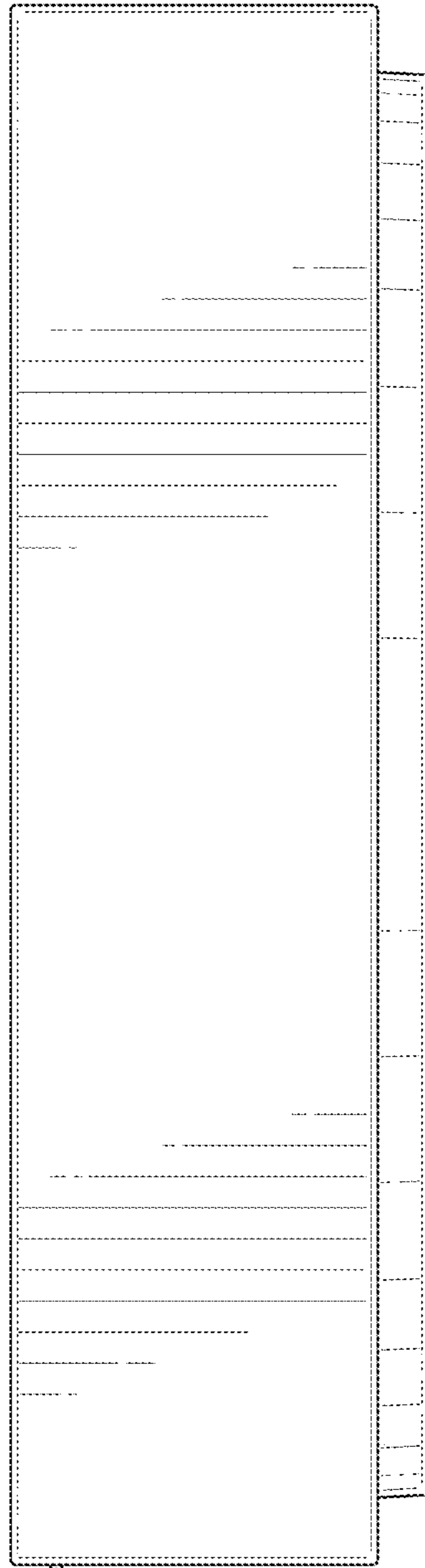


FIG. 4

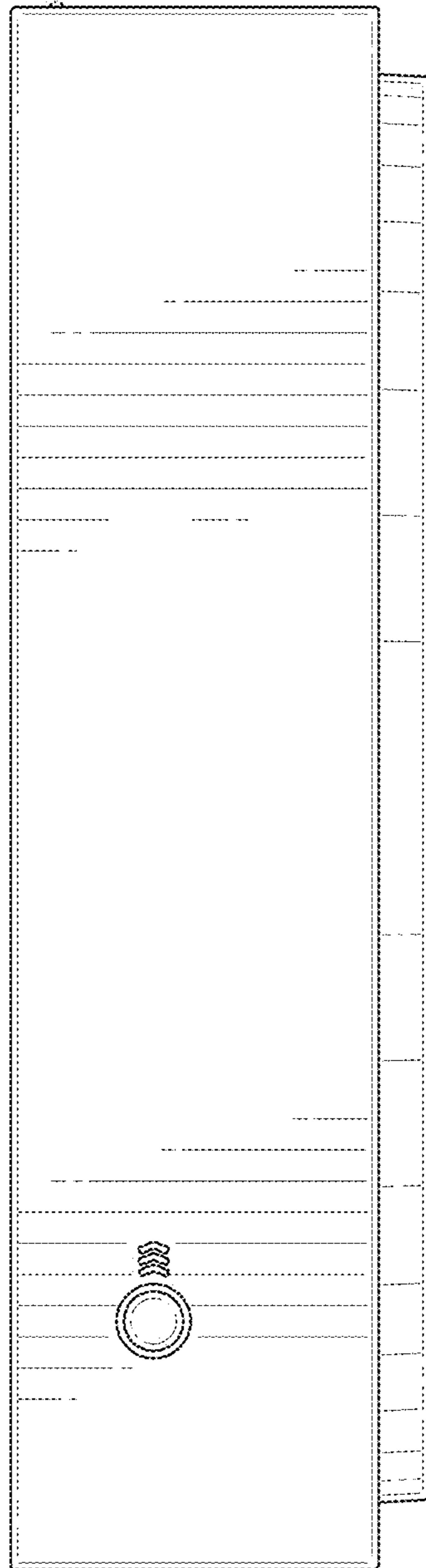


FIG. 5

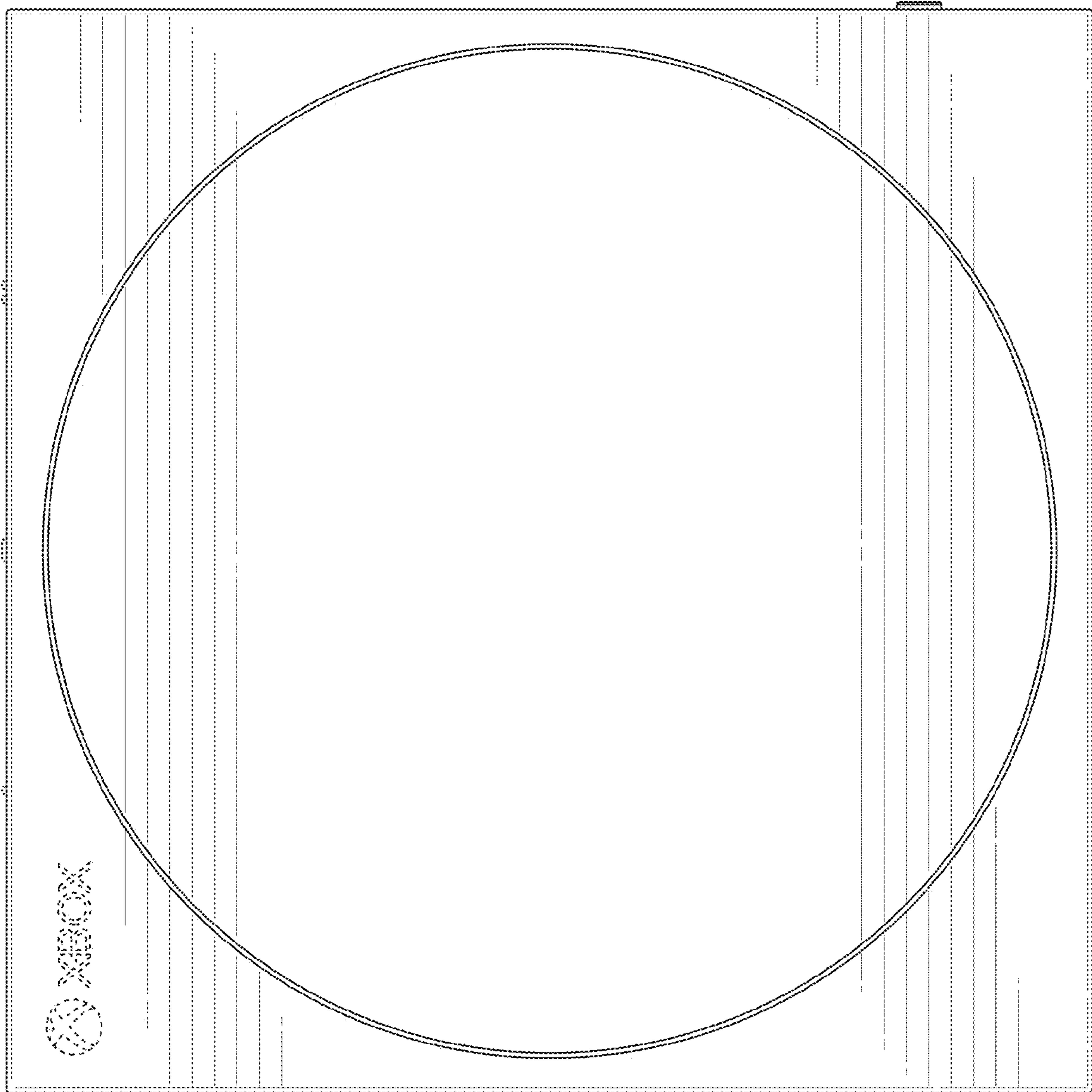


FIG. 6

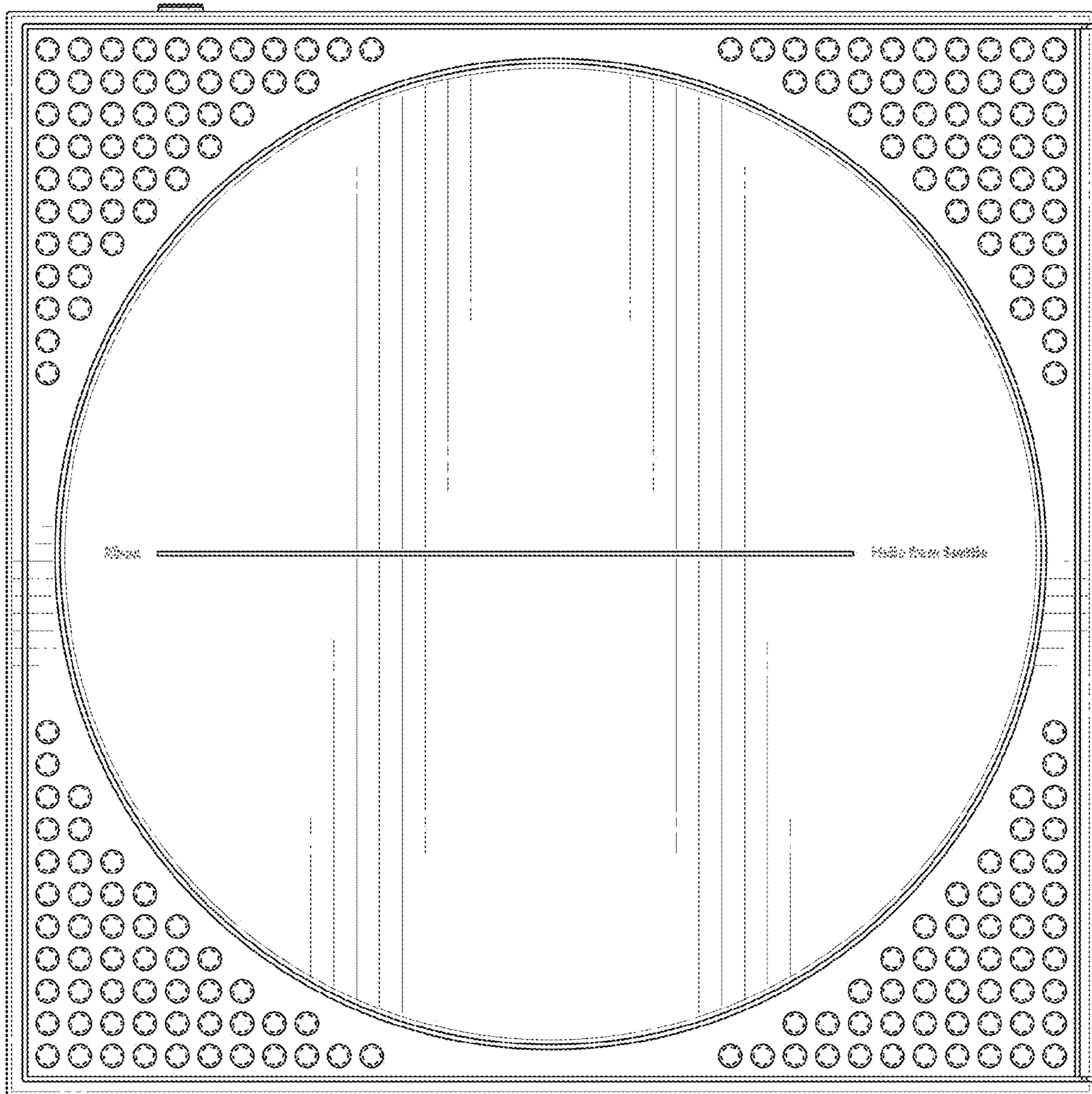


FIG. 7

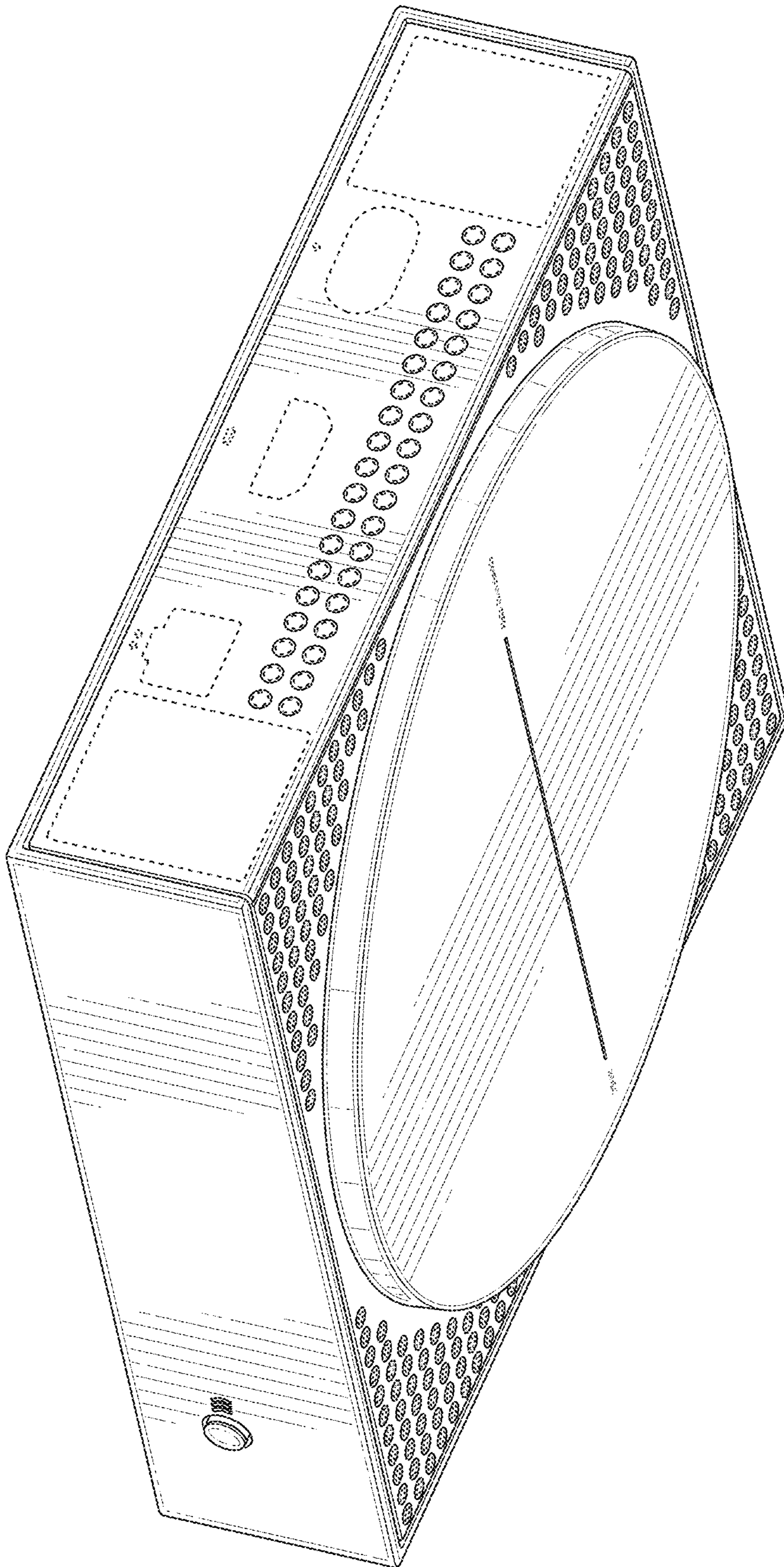


FIG. 8