



US0D1014155S

(12) **United States Design Patent** (10) **Patent No.: US D1,014,155 S**
Carbajal, Jr. (45) **Date of Patent: ** Feb. 13, 2024**

(54) **DISPLAY SHELF**
(71) Applicant: **Humberto Carbajal, Jr.**, Jarrell, TX (US)
(72) Inventor: **Humberto Carbajal, Jr.**, Jarrell, TX (US)

4,991,812 A * 2/1991 MacEwan A47B 19/08
248/459
5,284,256 A * 2/1994 Correll-Antoun A47B 63/00
211/198
D349,204 S * 8/1994 Lefebvre D6/675.4
D356,454 S * 3/1995 Harris D6/407
D413,754 S * 9/1999 Houle D6/311
D425,748 S * 5/2000 Houle D6/311

(**) Term: **15 Years**

(21) Appl. No.: **29/779,732**

(22) Filed: **Apr. 21, 2021**

(51) **LOC (14) Cl.** **06-04**

(52) **U.S. Cl.**
USPC **D6/675.4**

(58) **Field of Classification Search**
USPC D6/548, 677, 702, 709, 712
CPC A47B 63/00; A47B 23/042; G09F 1/10;
G09F 3/20; A47F 7/02; A47F 5/103
See application file for complete search history.

(56) **References Cited**

U.S. PATENT DOCUMENTS

D27,314 S * 7/1897 Baker D6/675.3
782,835 A * 2/1905 Dewey A47B 23/042
248/460
1,271,783 A * 7/1918 Sherer A47F 3/00
D6/675.4
1,334,373 A * 3/1920 Hoppin A47B 23/043
248/449
D103,869 S * 3/1937 Follet D6/675.4
D115,104 S * 6/1939 Erickson D6/675.4
D115,124 S * 6/1939 Paschell D6/678.3
D177,644 S * 5/1956 Schray D6/678.4
2,798,617 A * 7/1957 Schreiber A47F 5/0018
D6/675.3
D182,609 S * 4/1958 Marshack D6/678.1
D207,193 S * 3/1967 Leath D6/675.4
D247,206 S * 2/1978 Hermann D6/675.4
D254,428 S * 3/1980 Lasowski D6/692
4,716,841 A * 1/1988 Suttles A47B 57/42
108/108
4,880,327 A * 11/1989 Sanabria B42F 13/402
402/73

FOREIGN PATENT DOCUMENTS

JP D1709611 * 3/2022

OTHER PUBLICATIONS

Trading Card Display Shelf, Published on the internet (Apr. 18, 2023), Retrieved from the internet (Aug. 9, 2023), URL: https://things.com/designer/Llama_/3d-model/Pokemon%20%2F%20Sports%20%2F%20Trading%20Card%20Display%20Shelf-835317 (Year: 2023).*

Primary Examiner — Steven J Czyz
Assistant Examiner — Varun Salil Kamat
(74) *Attorney, Agent, or Firm* — Barry Choobin; Patent 360

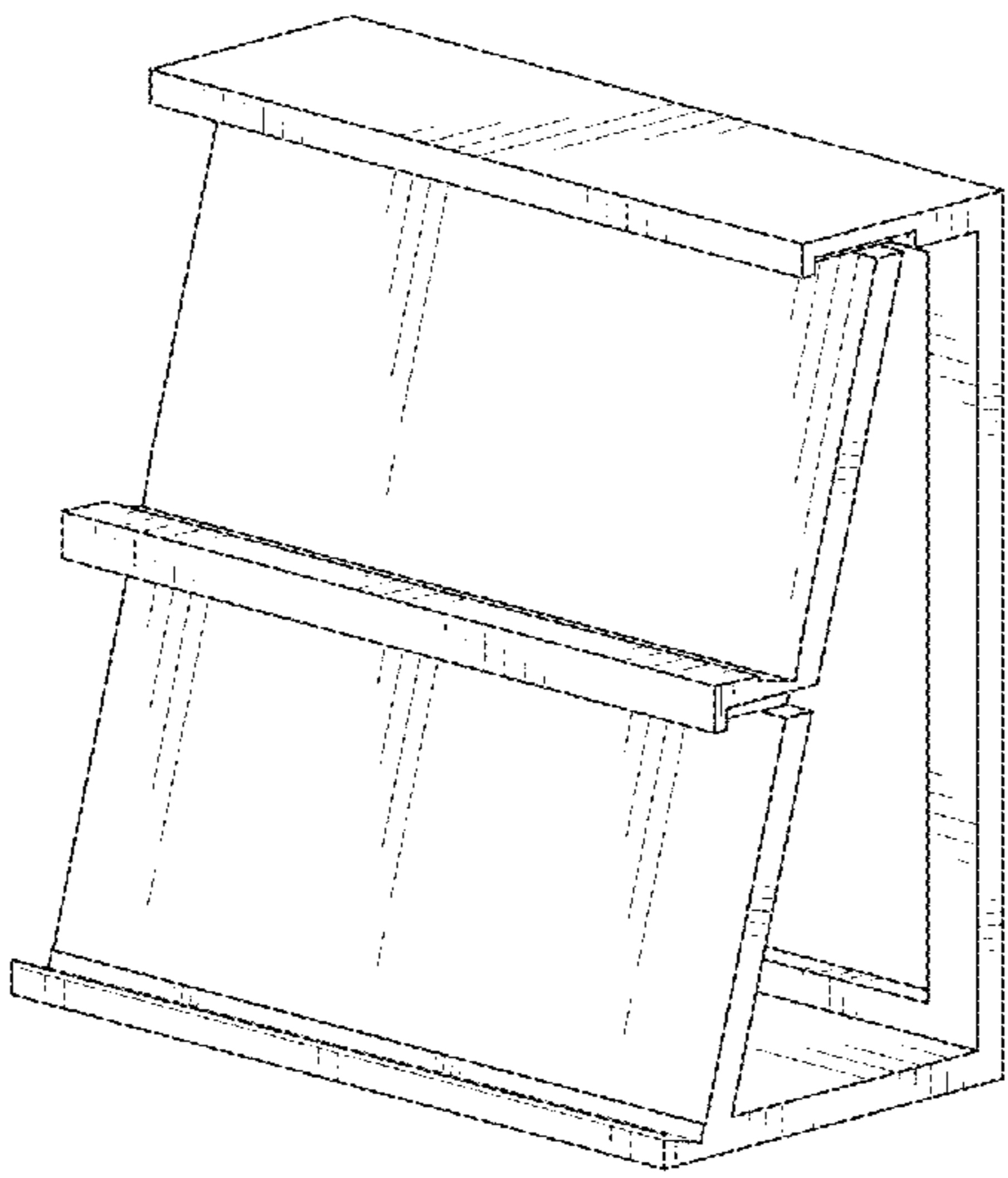
(57) **CLAIM**

An ornamental design for a display shelf, as shown and described.

DESCRIPTION

FIG. 1 is a perspective view of a display shelf, showing my new design;
FIG. 2 is a right-side view thereof;
FIG. 3 is a left-side view thereof;
FIG. 4 is a front view thereof;
FIG. 5 is a rear view thereof;
FIG. 6 is a top view thereof; and,
FIG. 7 is a bottom view thereof.

1 Claim, 4 Drawing Sheets



(56)

References Cited

U.S. PATENT DOCUMENTS

D451,704 S * 12/2001 Curci D6/675.4
D455,914 S * 4/2002 Campello D6/675.4
D468,559 S * 1/2003 Hollingsworth D6/682.2
D478,238 S * 8/2003 Houle D6/311
D478,458 S * 8/2003 Houle D6/311
D486,684 S * 2/2004 Hessell D6/574
D541,082 S * 4/2007 Nomoto D6/675.3
D637,016 S * 5/2011 Pohl D6/675.3
D645,095 S * 9/2011 Garfinkle D20/44
8,689,474 B2 * 4/2014 Garfinkle G09F 7/10
40/611.08
D766,373 S * 9/2016 Schwartz D20/43
2007/0266604 A1 * 11/2007 Garfinkle G09F 3/20
40/649
2009/0056190 A1 * 3/2009 Mueller G09F 3/204
40/661.03
2009/0188140 A1 * 7/2009 Garfinkle G09F 19/02
40/447
2016/0331156 A1 * 11/2016 Bast A47G 1/14

* cited by examiner

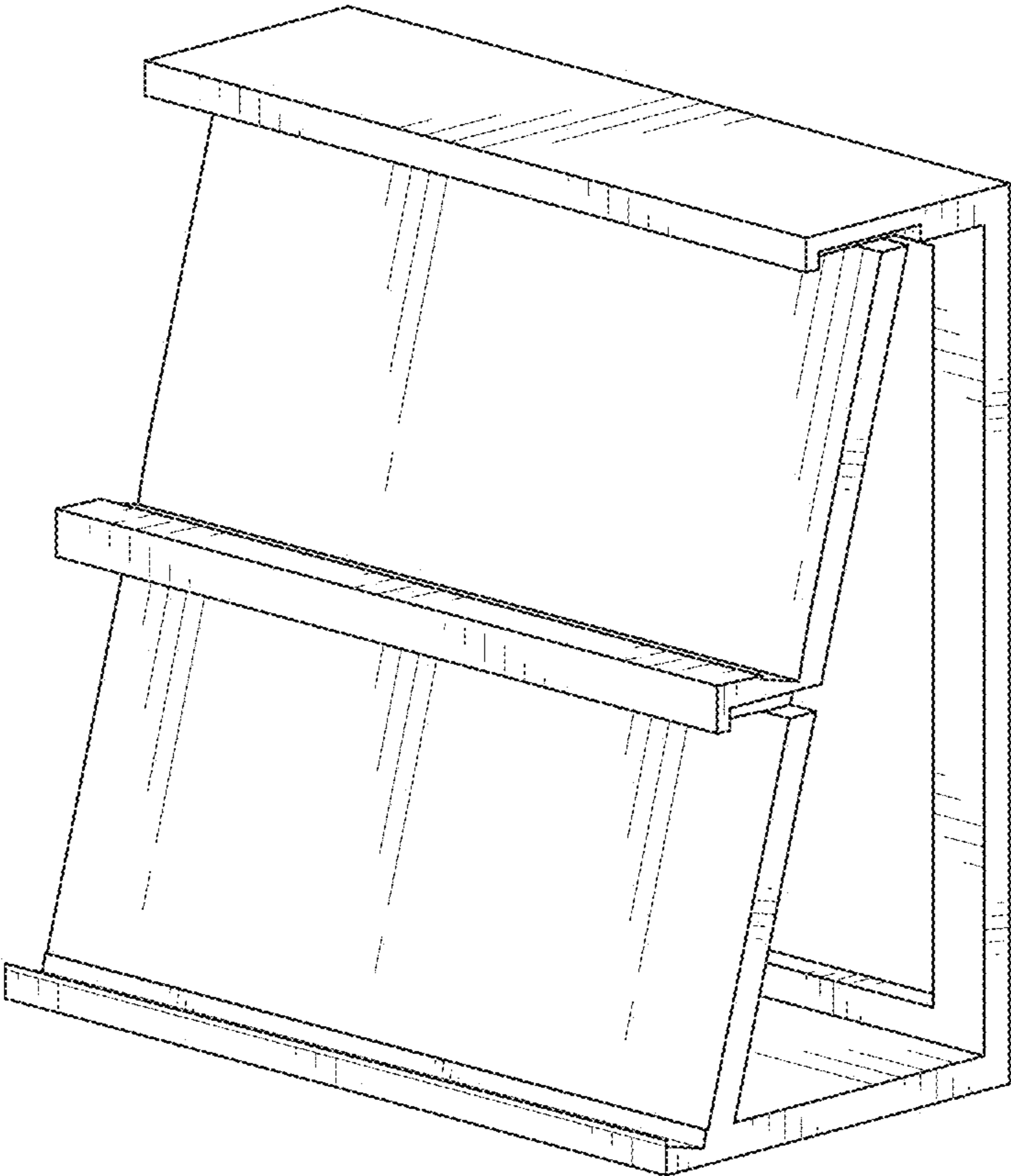


FIG. 1

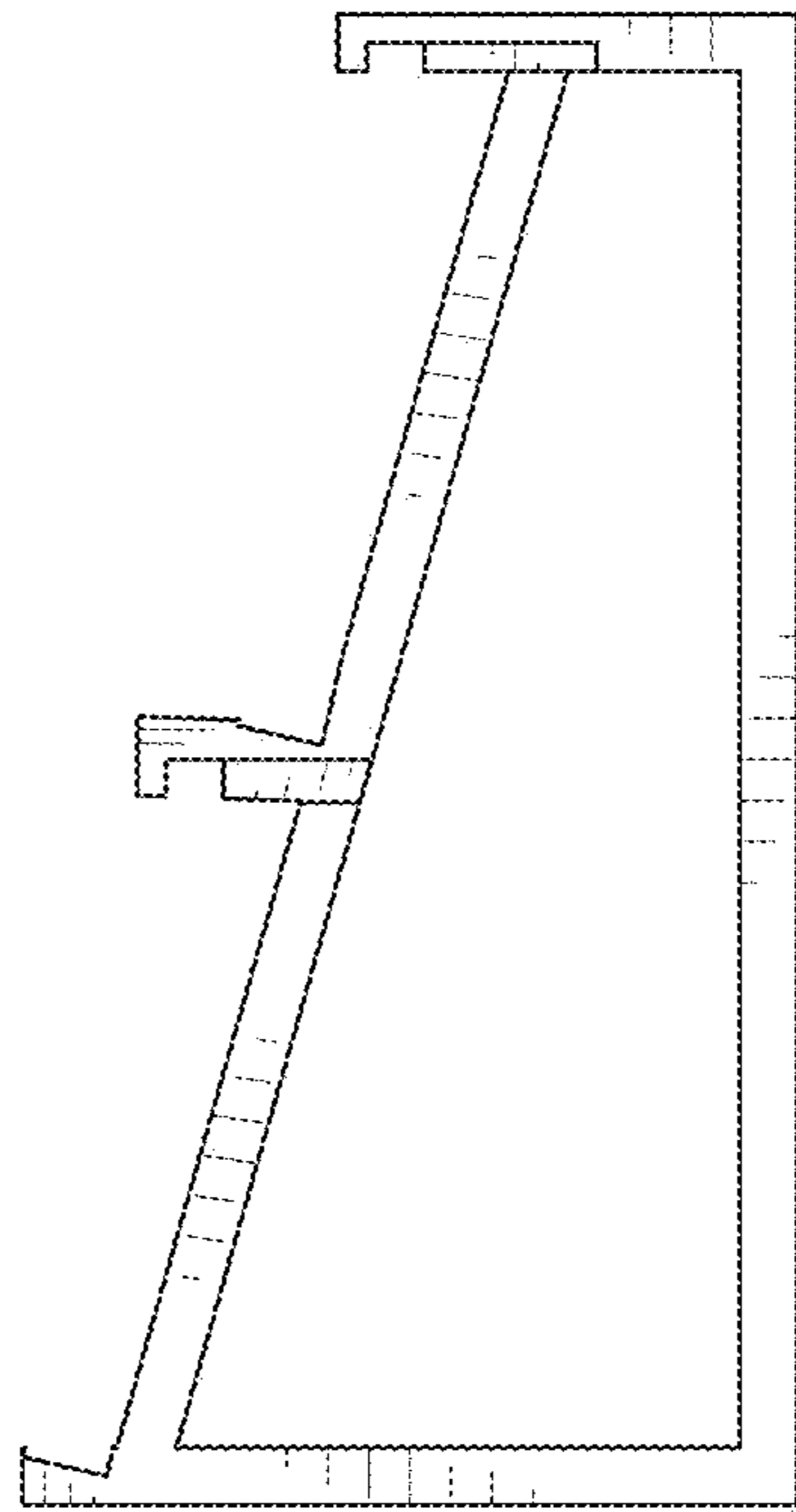


FIG. 2

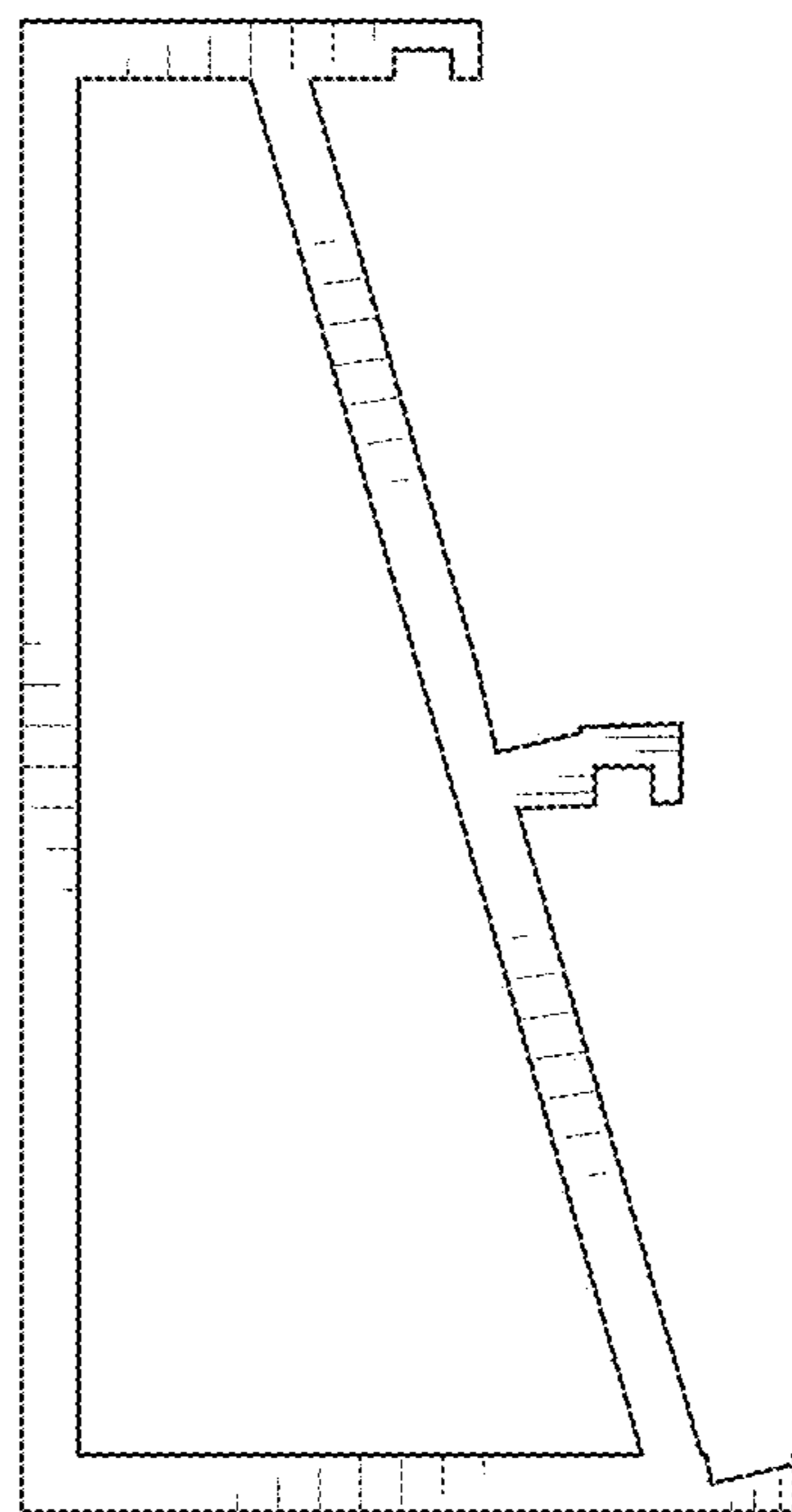


FIG. 3

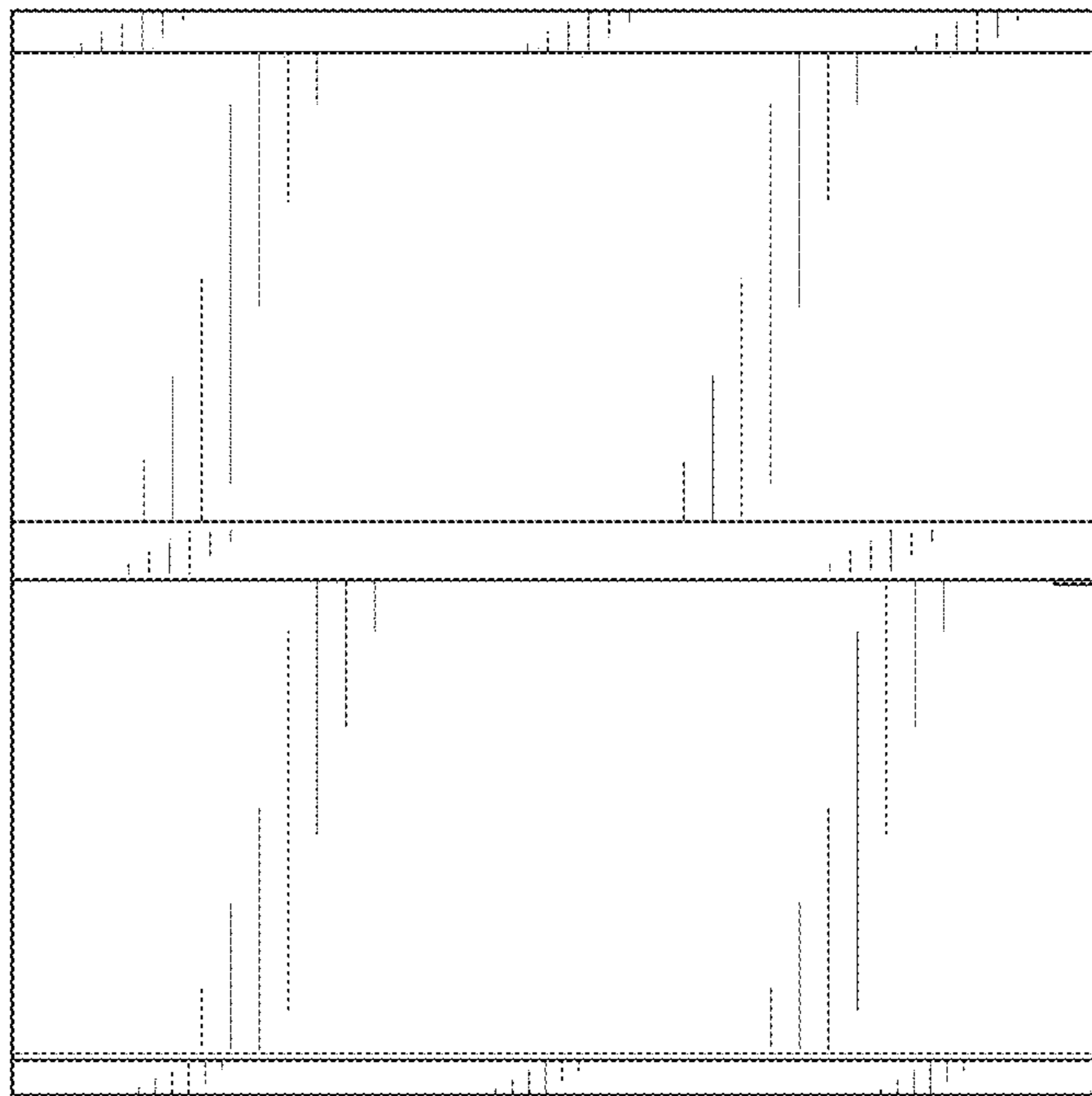


FIG. 4

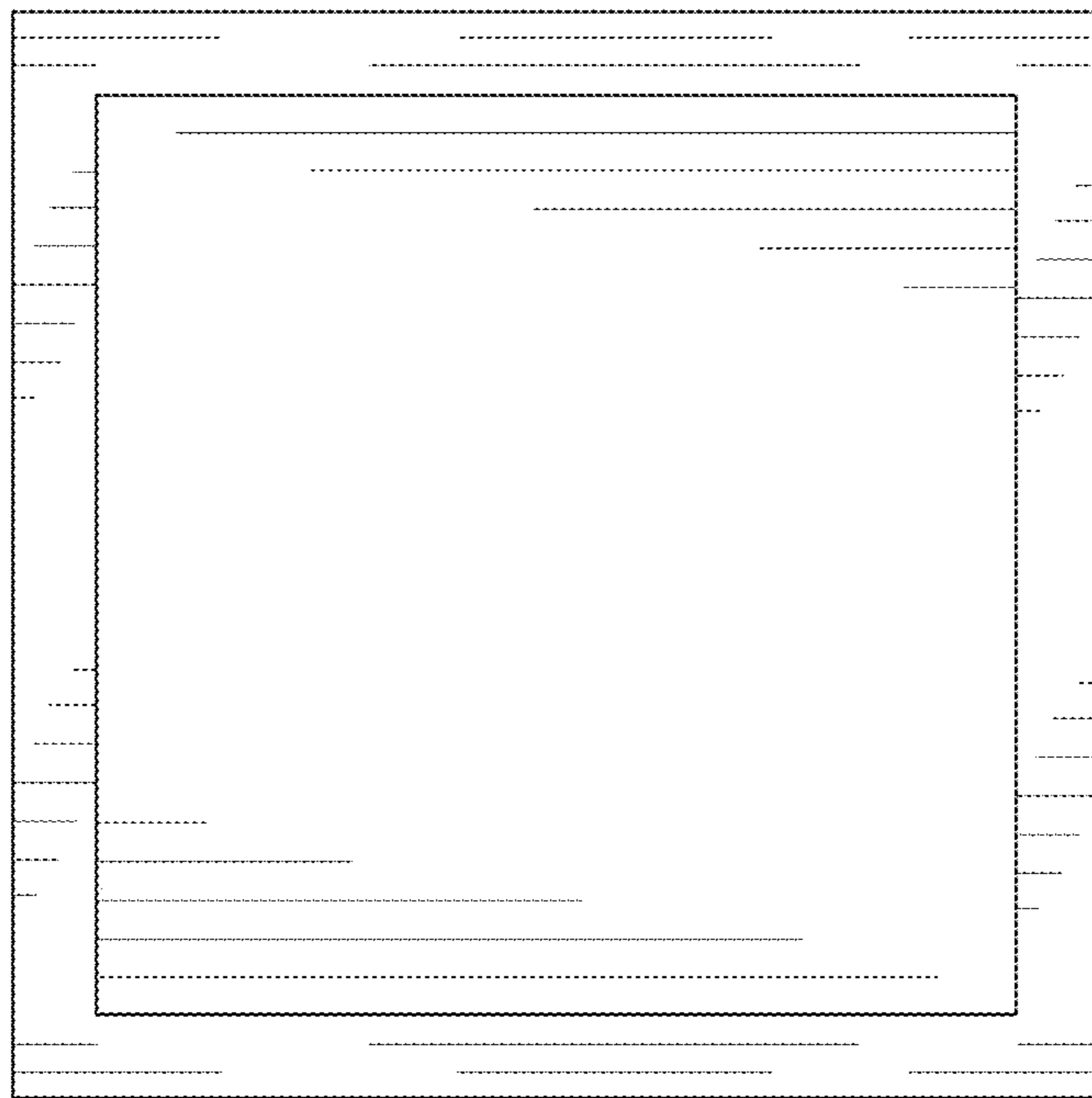


FIG. 5

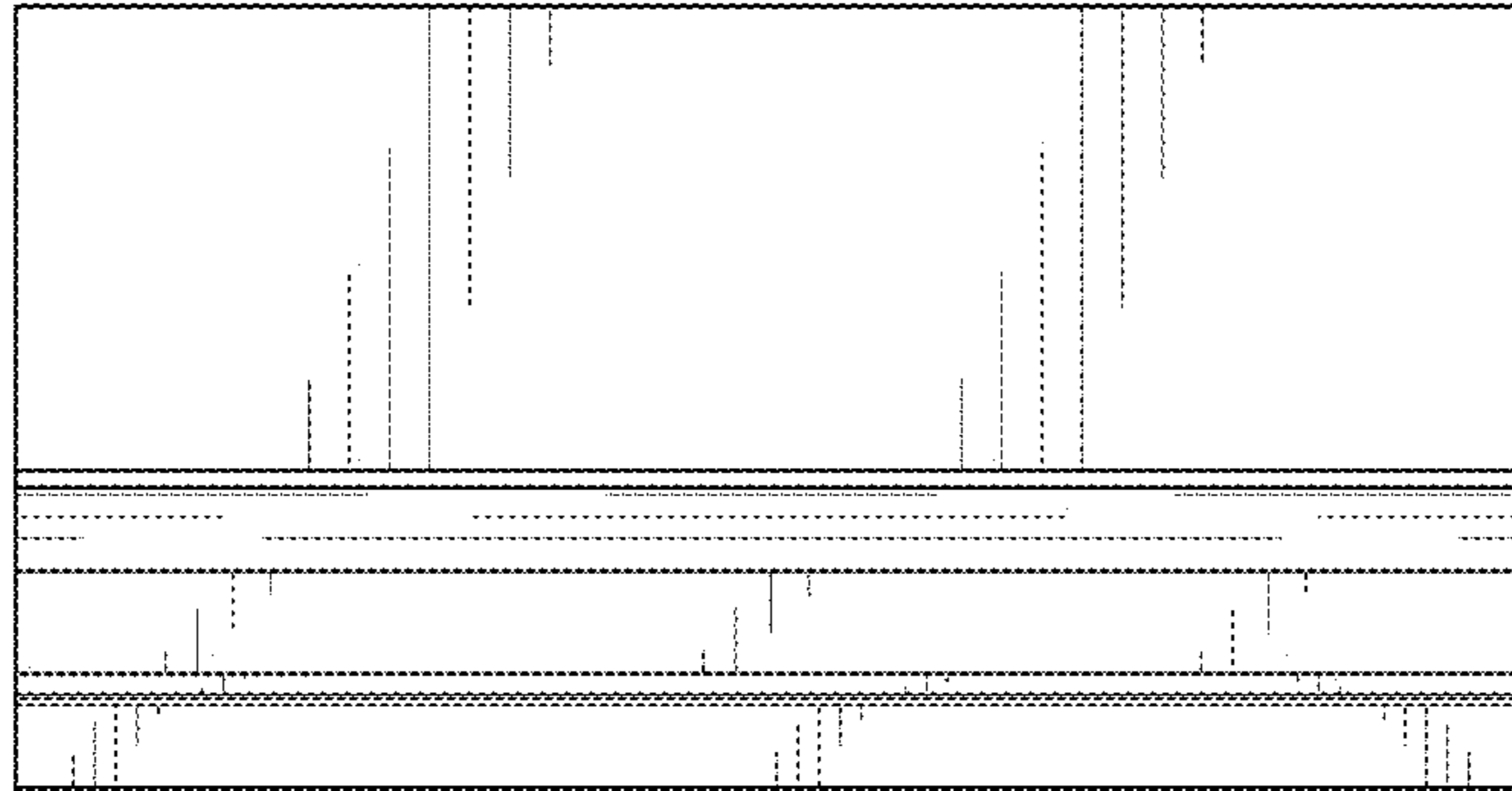


FIG. 6

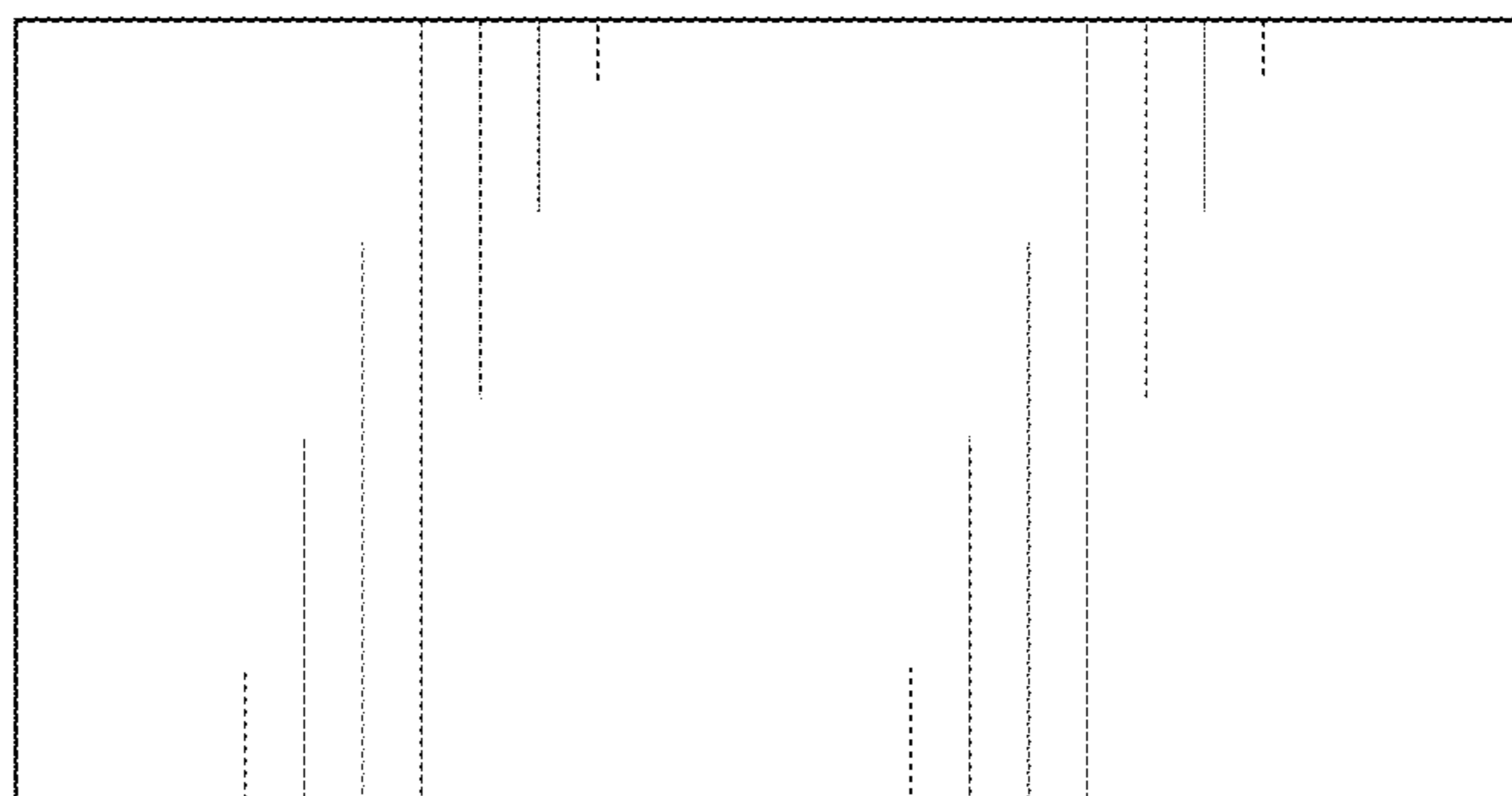


FIG. 7