



US0D1024800S

(12) **United States Design Patent**
Monachon

(10) **Patent No.:** **US D1,024,800 S**

(45) **Date of Patent:** **** Apr. 30, 2024**

(54) **WATCH CASE**

FOREIGN PATENT DOCUMENTS

(71) Applicant: **Omega SA (Omega AG) (Omega Ltd.)**, Biel/Bienne (CH)

CN	302720301	*	1/2014
CN	306126910	*	10/2020
JP	D1611375	*	8/2018
WO	D043273-001	*	5/1998

(72) Inventor: **Jean-Claude Monachon**, Biel/Bienne (CH)

OTHER PUBLICATIONS

(73) Assignee: **Omega SA (Omega AG) (Omega Ltd.)**, Biel/Bienne (CH)

Rolex Submariner, "In-Depth History of the Rolex Submariner—Part 2, the 55XX References and 1680 Date", Tom Mulraney, Monochrome.com, posted Aug. 19, 2020 [online] [site visited Oct. 31, 2023] <https://monochrome-watches.com/rolex-submariner-history-part-2-the-55xx-1680references/> (Year: 2020).*

(**) Term: **15 Years**

* cited by examiner

(21) Appl. No.: **29/836,330**

(22) Filed: **Apr. 26, 2022**

Primary Examiner — Brett Miller

(30) **Foreign Application Priority Data**

Assistant Examiner — Mary Anne Arntzen

Oct. 29, 2021 (WO) WIPO110001

(74) *Attorney, Agent, or Firm* — Womble Bond Dickinson US (LLP)

(51) **LOC (14) Cl.** **10-02**

(52) **U.S. Cl.**
USPC **D10/30**

(58) **Field of Classification Search**
USPC D10/30, 32, 31, 38, 39
CPC G04B 19/26; G04B 19/24; G04B 19/04;
G04B 19/00; G04B 7/00; G04B 19/06;
G04B 47/00

See application file for complete search history.

(57) **CLAIM**

The ornamental design for a watch case, as shown and described.

(56) **References Cited**

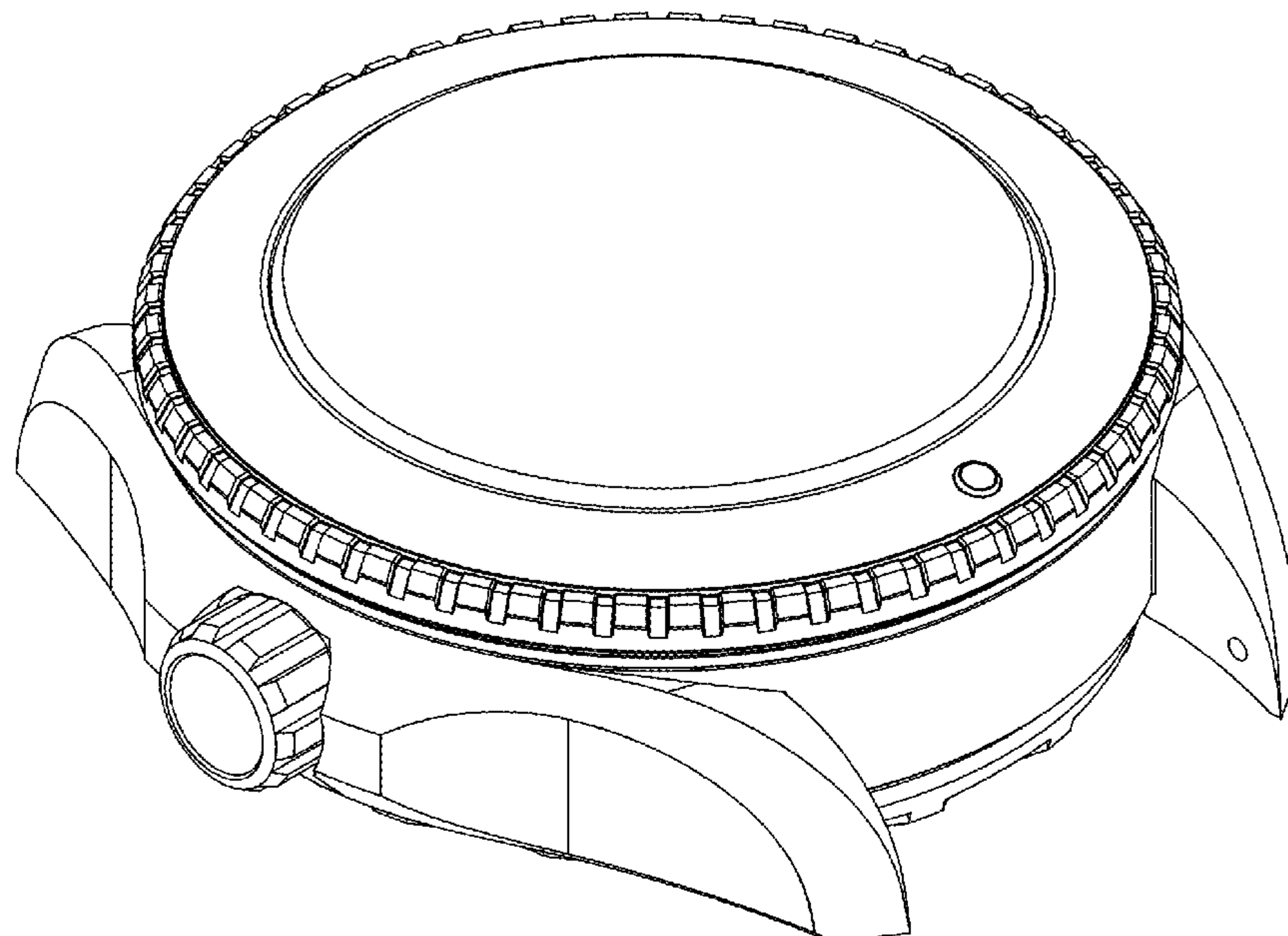
DESCRIPTION

U.S. PATENT DOCUMENTS

D195,421 S	*	6/1963	Huguenin	D10/39
D801,195 S	*	10/2017	Monachon	D10/30
D817,952 S	*	5/2018	Choi	D14/344
D822,509 S	*	7/2018	Monachon	D10/38
D840,844 S	*	2/2019	Le Bot	D10/39
D848,863 S	*	5/2019	Le Bot	D10/30
D870,568 S	*	12/2019	Stern	G04B 17/00
					D10/30

FIG. 1 is a front view of a watch case showing the new design;
FIG. 2 is a rear view thereof;
FIG. 3 is right side view thereof;
FIG. 4 is a left side view thereof;
FIG. 5 is a top view thereof;
FIG. 6 is a bottom view thereof;
FIG. 7 is a front, right, and top perspective view thereof;
and,
FIG. 8 is a rear, left, and top perspective view thereof.

1 Claim, 8 Drawing Sheets



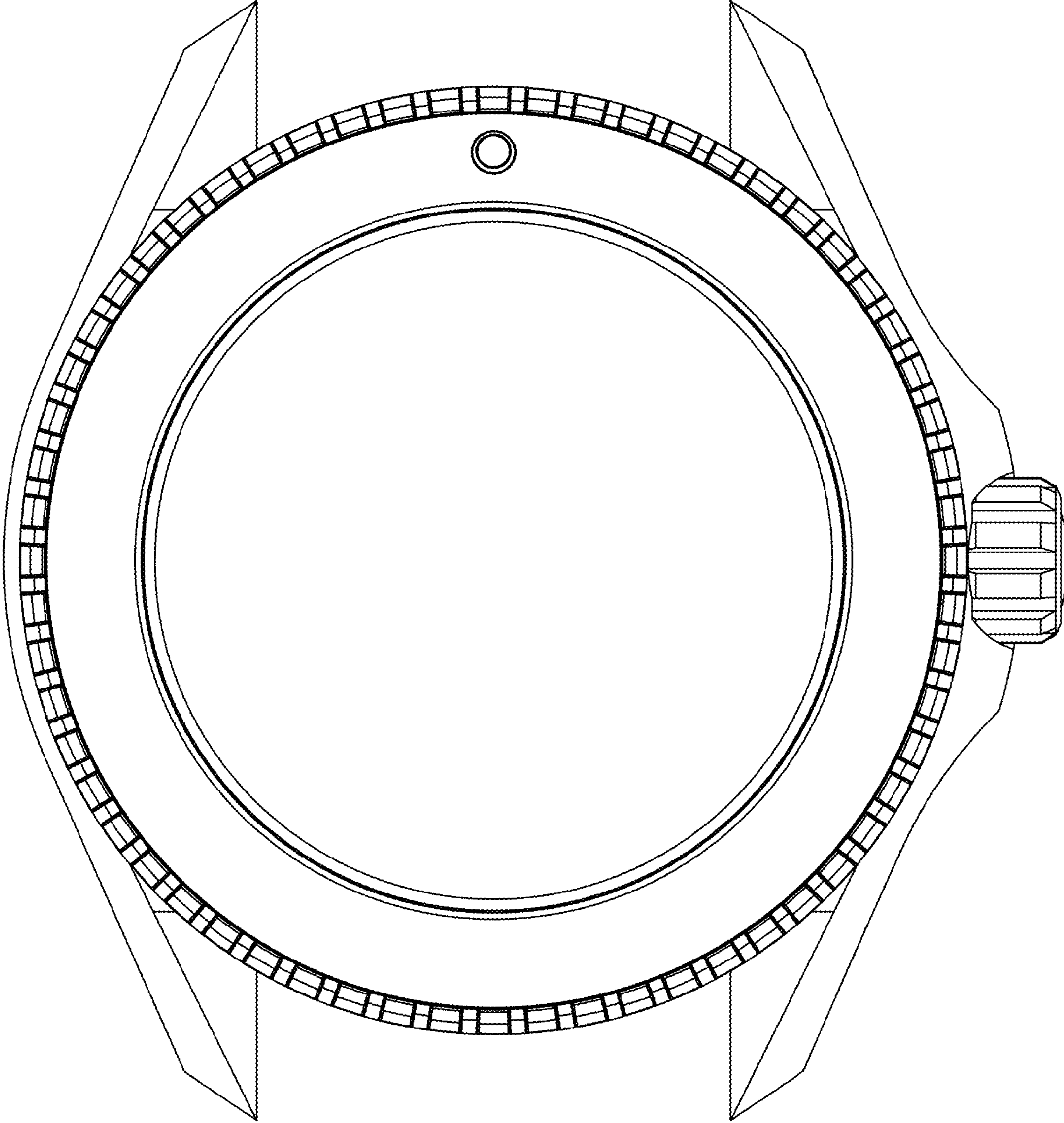


FIG. 1

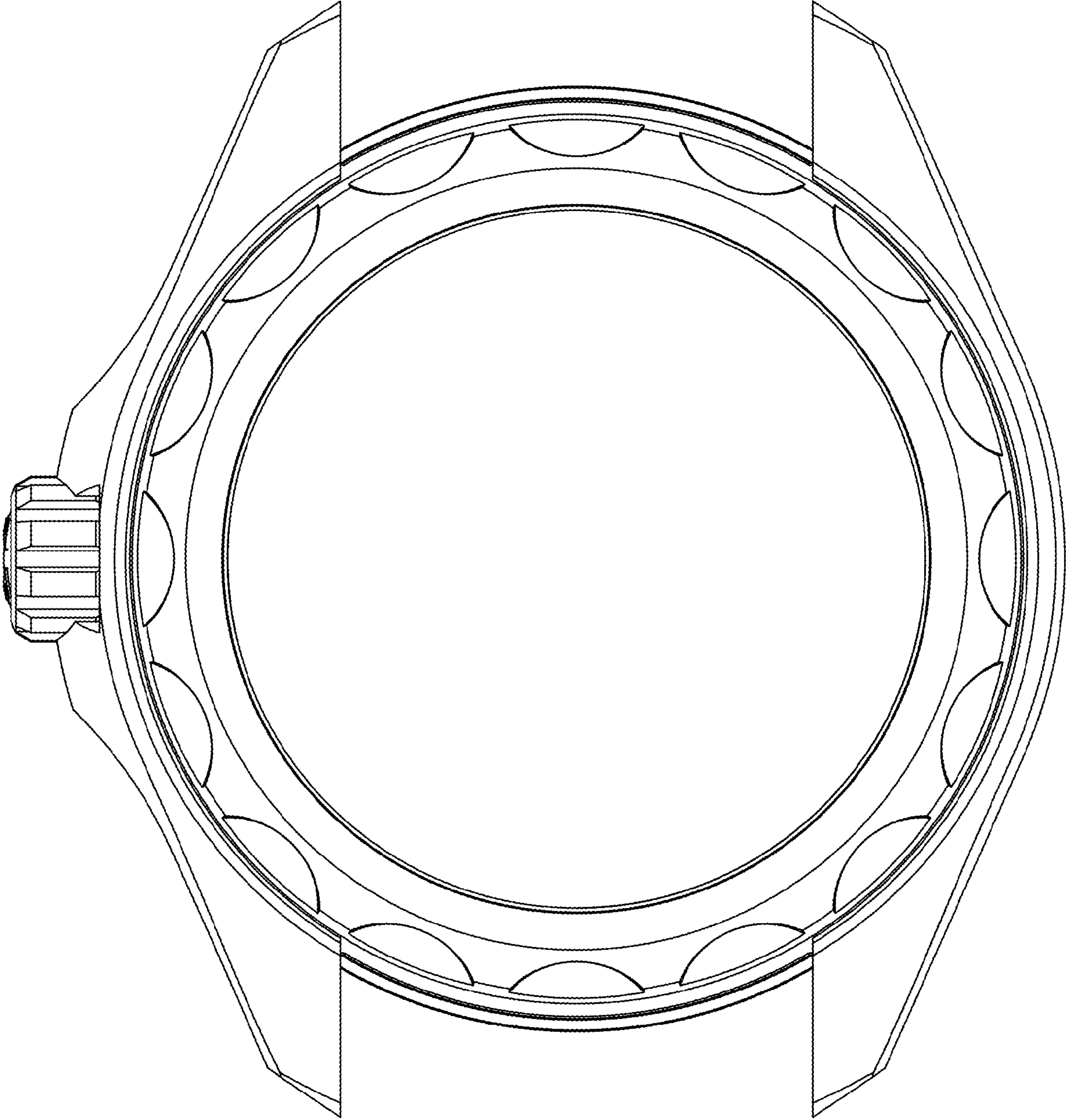


FIG. 2

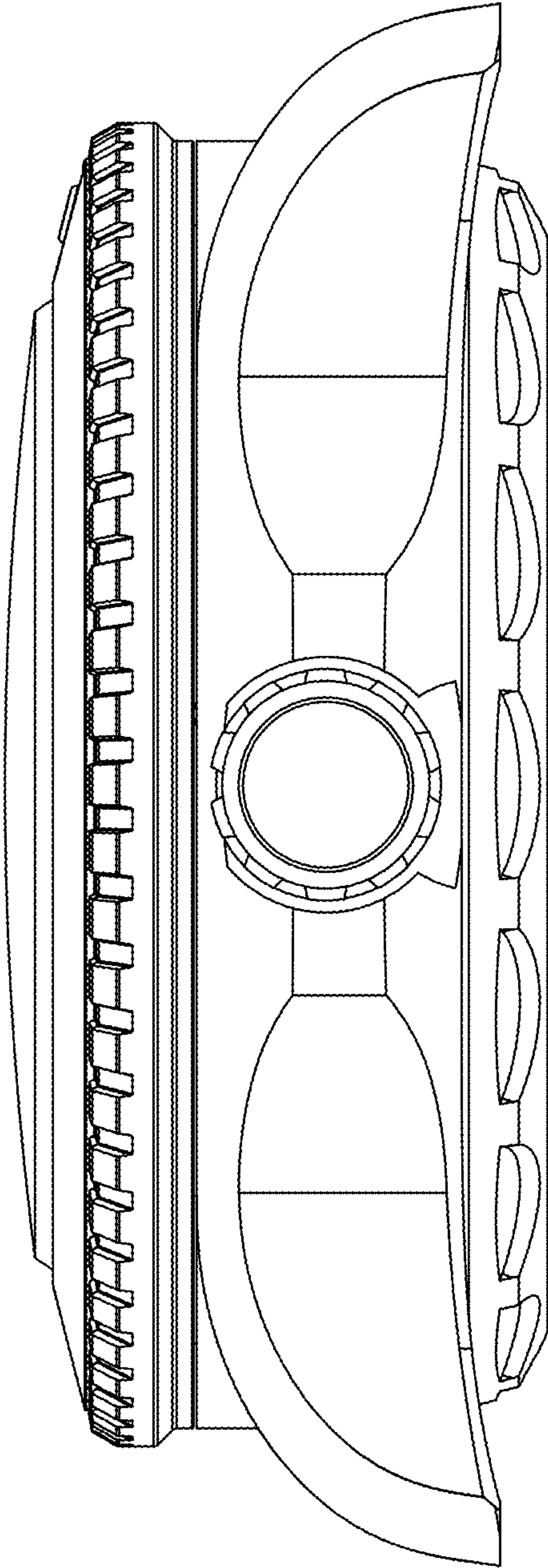


FIG. 3

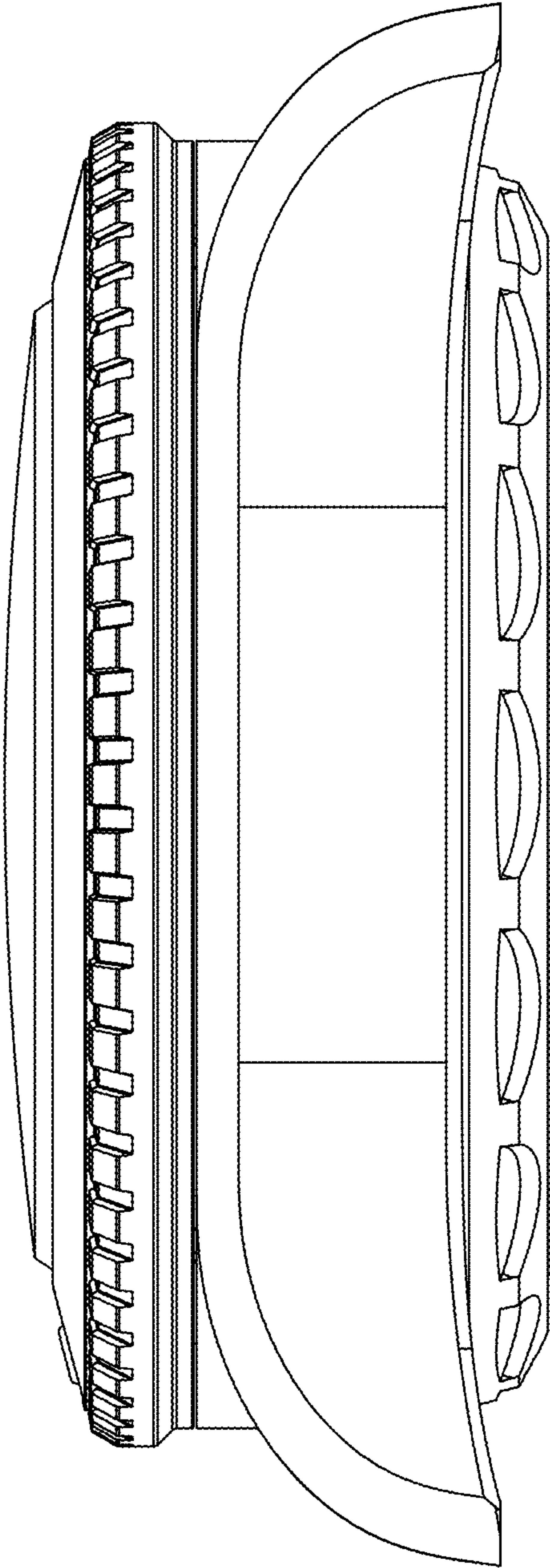


FIG. 4

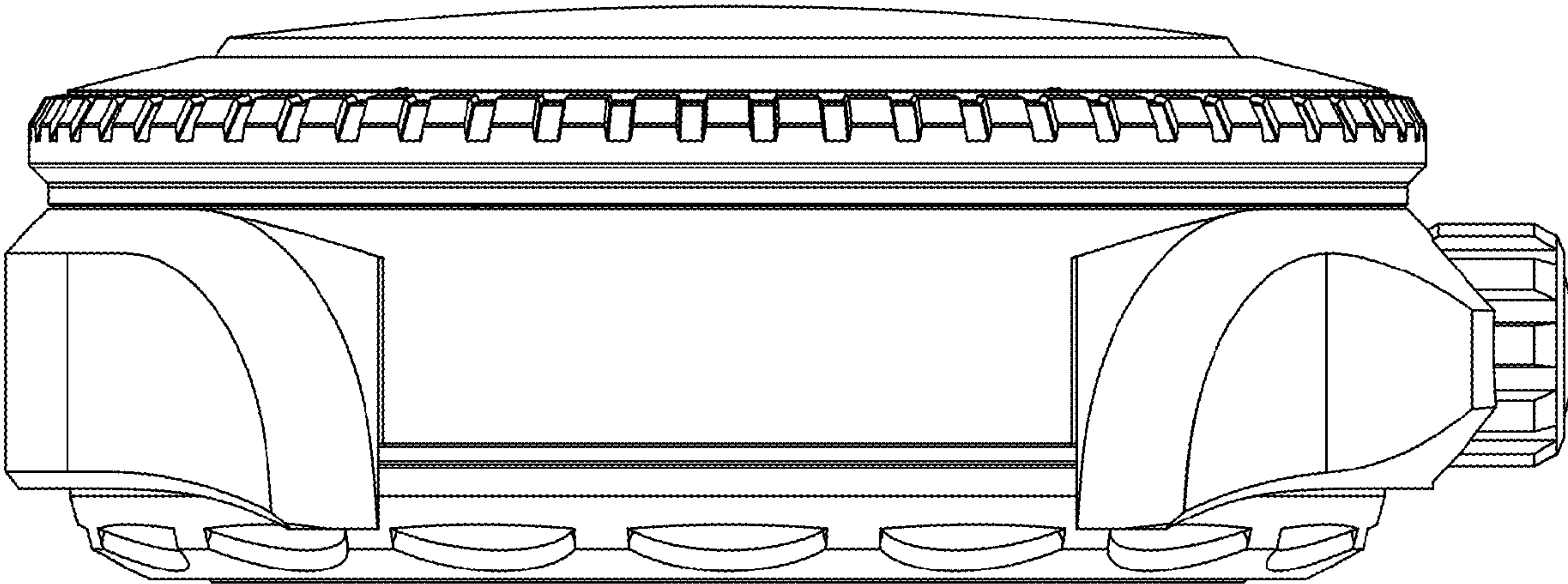


FIG. 5

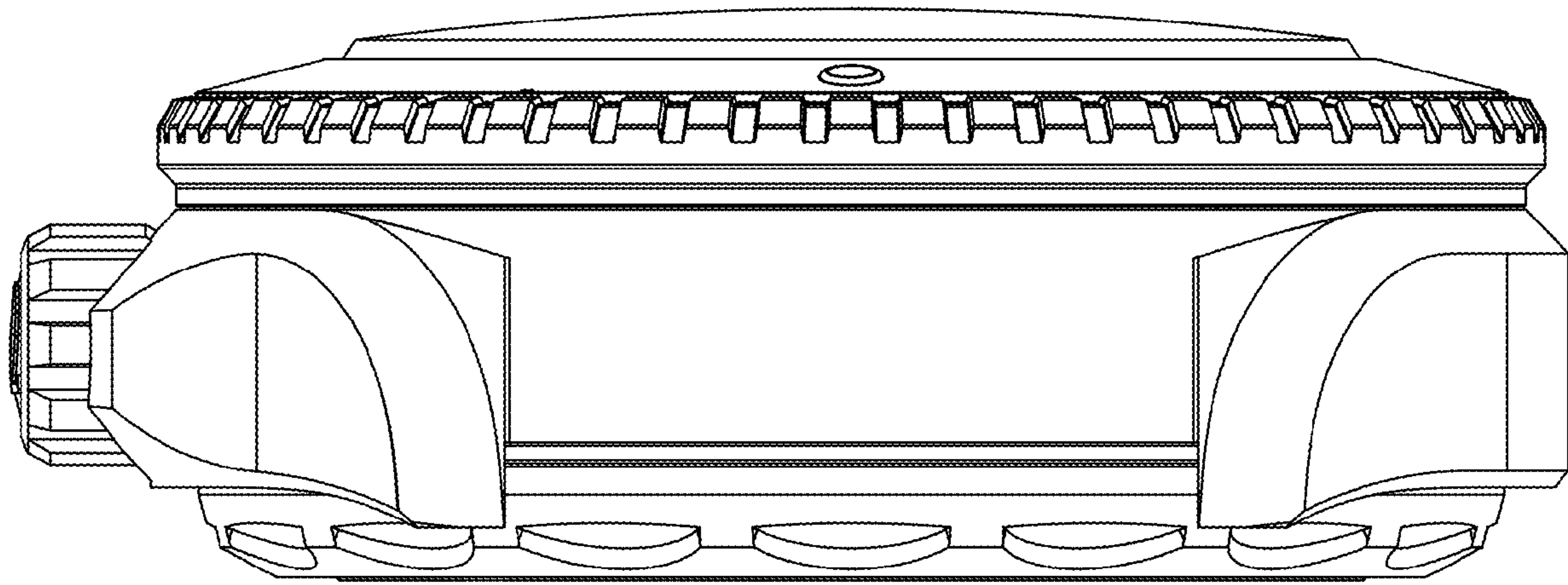


FIG. 6

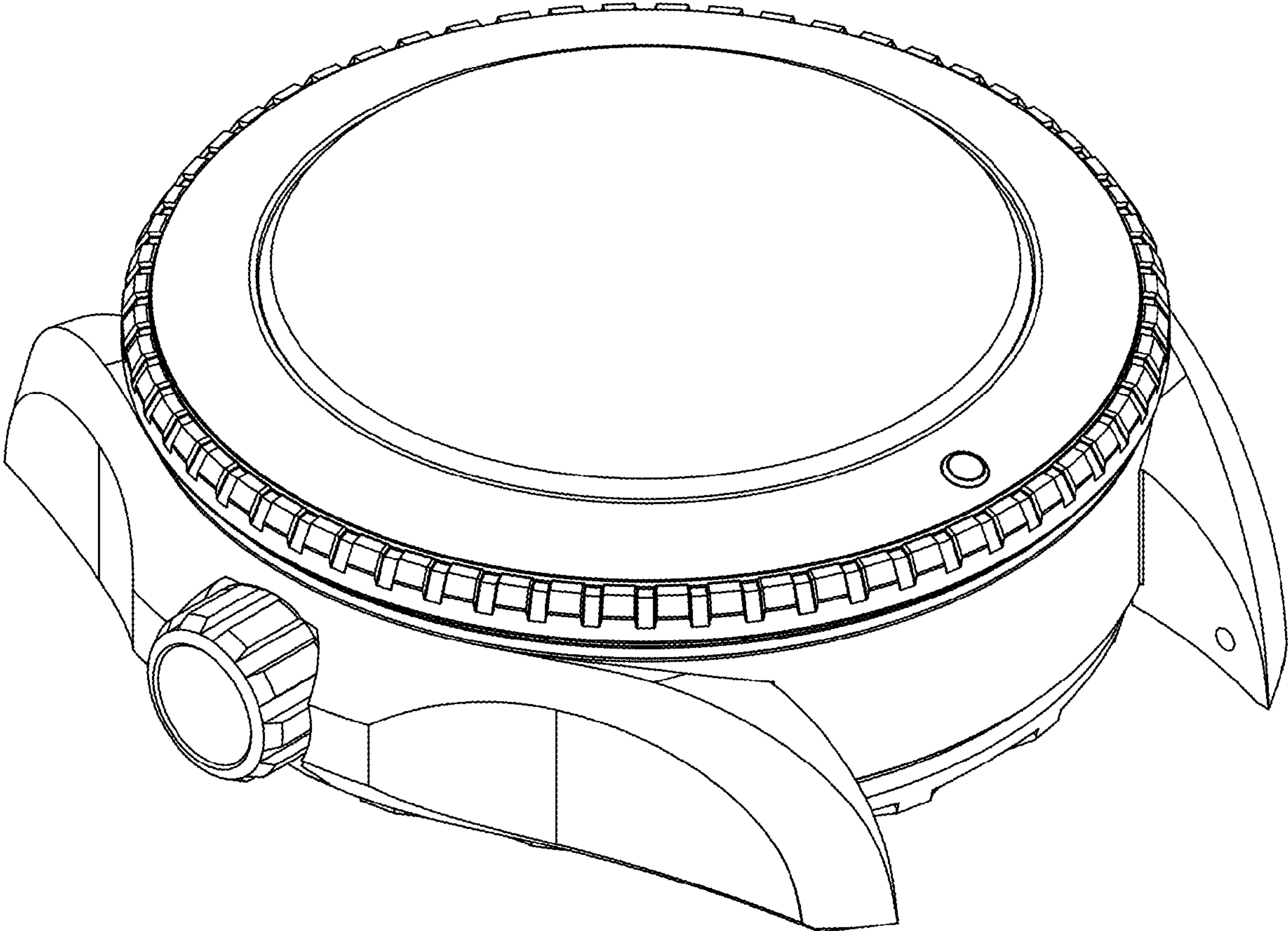


FIG. 7

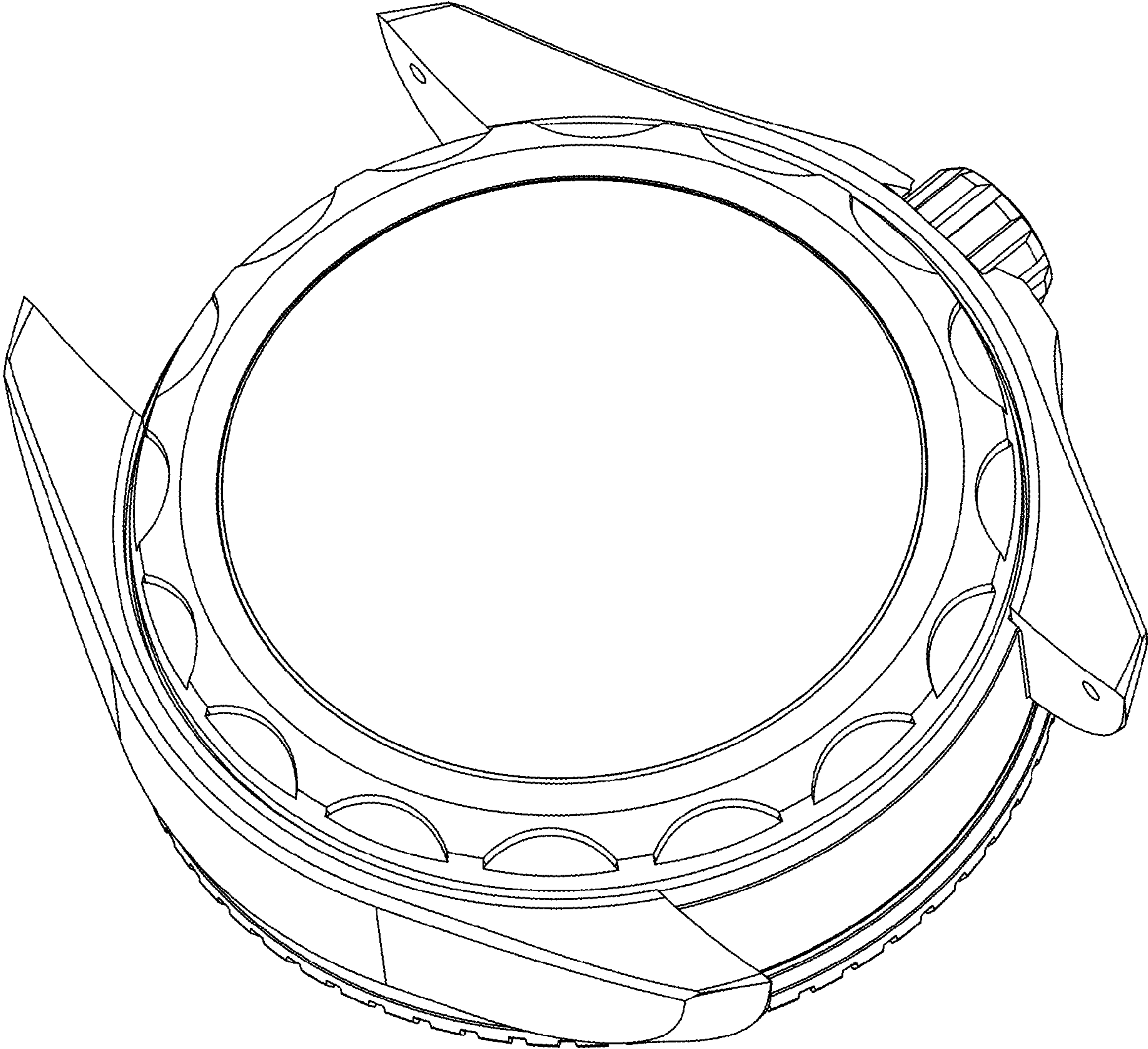


FIG. 8