



US0D1029414S

(12) **United States Design Patent** (10) **Patent No.:** **US D1,029,414 S**
Makarychev (45) **Date of Patent:** **** May 28, 2024**

(54) **WEARABLE LIGHT EMITTING MODULE WITH A REMOVABLE BAND**

(74) *Attorney, Agent, or Firm* — McCarter & English, LLP; James M. Smedley; Alex Korona

(71) Applicant: **Averia Electronics, Inc.**, New York, NY (US)

(57) **CLAIM**

(72) Inventor: **Yury Makarychev**, Volgograd (RU)

I claim the ornamental design for a wearable light emitting module with a removable band, as shown and described.

(**) Term: **15 Years**

(21) Appl. No.: **29/766,924**

DESCRIPTION

(22) Filed: **Jan. 19, 2021**

(51) **LOC (14) Cl.** **30-99**

(52) **U.S. Cl.**
USPC **D30/199; D26/39**

(58) **Field of Classification Search**
USPC D26/37, 39, 60; D30/152, 199
(Continued)

FIG. 1 is a top, front perspective view showing a wearable light emitting module with a removable band in a rolled configuration, showing my new design;
FIG. 2 is a bottom, rear perspective view thereof;
FIG. 3 is a front view thereof;
FIG. 4 is a rear view thereof;
FIG. 5 is a top view thereof;
FIG. 6 is a bottom view thereof;
FIG. 7 is left-side view thereof, where the right-side view is a mirror image;
FIG. 8 is a front view of the wearable light emitting module with a removable band in a flat configuration, shown with the wearable light emitting module detached from the removable band to reveal aspects of the design that would not be apparent in other views;
FIG. 9 is a rear view thereof;
FIG. 10 is a top view thereof;
FIG. 11 is a bottom view thereof;
FIG. 12 is a right-side view of the wearable light emitting module portion of the wearable light emitting module with a removable band, shown separately to reveal aspects of the design that would not be apparent in other views, where the left-side view is a mirror image; and,
FIG. 13 is a left-side view of the removable band portion of the wearable light emitting module with a removable band in a flat configuration, shown separately to reveal aspects of the design that would not be apparent in other views, where the right-side view is a mirror image.
The broken lines in the figures illustrate portions of the wearable light emitting module with a removable band that form no part of the claimed design.

(56) **References Cited**

U.S. PATENT DOCUMENTS

D135,153 S * 3/1943 Gensburg D26/37
D214,943 S * 8/1969 Ashe D26/37
(Continued)

FOREIGN PATENT DOCUMENTS

CN 306967491 * 11/2021
CN 307109688 * 2/2022
GB 6174884 * 11/2021

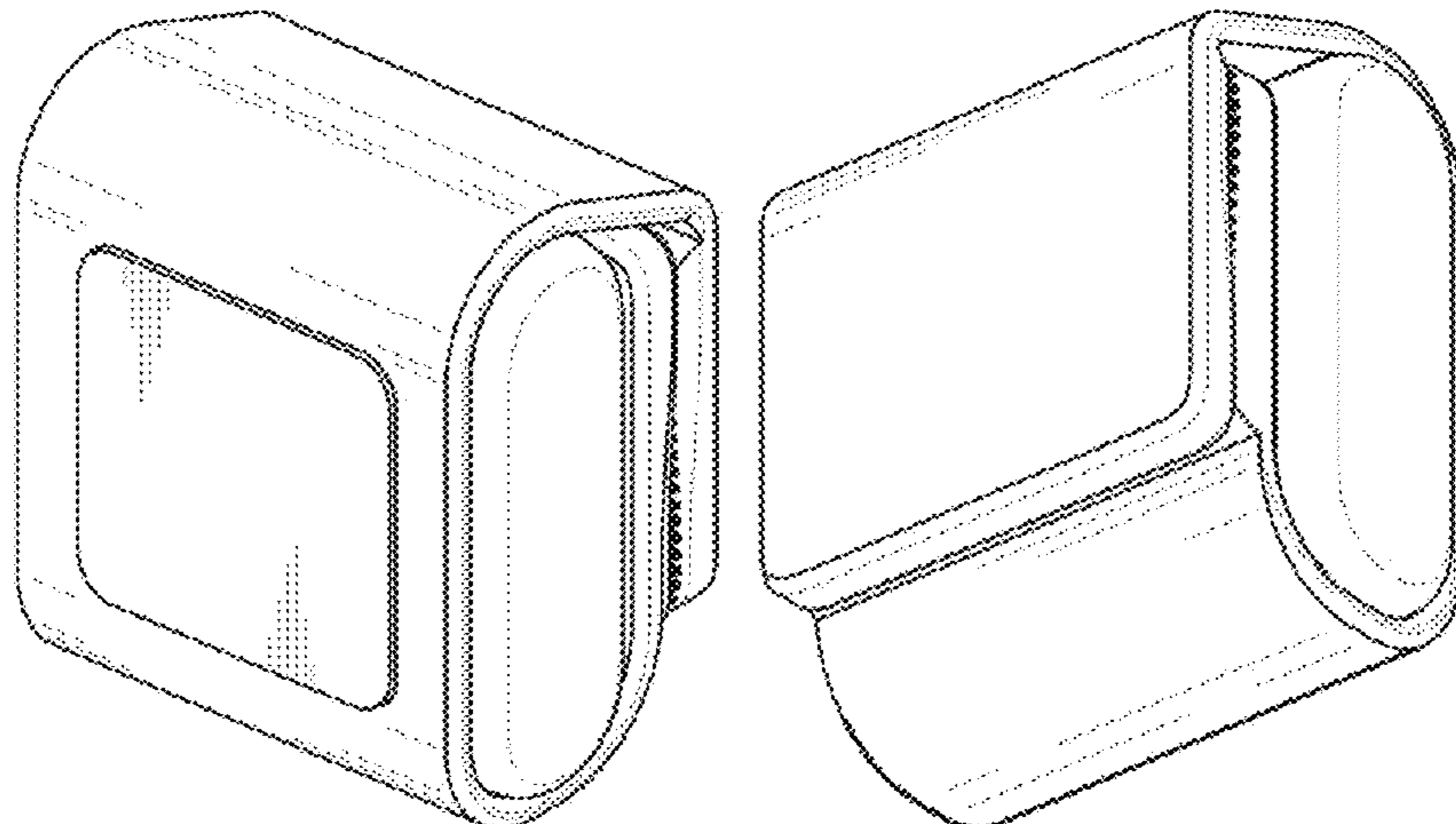
OTHER PUBLICATIONS

Keadeso LED Running Light, available in Amazon.com, date first available Aug. 9, 2022 [online], [site visited Oct. 20, 2023], Available from the internet URL: <https://www.amazon.com/dp/B09ZQP9P39> (Year: 2022).*

(Continued)

Primary Examiner — Vy N Koenig
Assistant Examiner — Elizabeth Anne Glassberg

(Continued)



The shading lines shown in the drawings represent the approximate three-dimensional contour of the design, and are not intended to indicate surface decoration.

1 Claim, 5 Drawing Sheets

(58) Field of Classification Search

CPC A01K 27/006; F21L 14/00; F21V 21/088;
F21V 21/0885

See application file for complete search history.

(56)

References Cited

U.S. PATENT DOCUMENTS

D361,633	S	*	8/1995	Chabria	D26/37
D392,403	S	*	3/1998	Benensohn	D26/39
D592,647	S	*	5/2009	L'Henaff	D14/240
D608,038	S	*	1/2010	Chan	D26/60
D702,863	S	*	4/2014	Kotsis	D26/37
D703,354	S	*	4/2014	Kotsis	D26/37
D791,991	S	*	7/2017	Brauser	D30/152
D834,771	S	*	11/2018	Theno	D30/155
D849,975	S	*	5/2019	Huang	D26/37
D857,958	S	*	8/2019	Willows	D26/38
D872,383	S	*	1/2020	Darnell	D30/152

D898,613	S	*	10/2020	Stapleton	D11/216
D898,965	S	*	10/2020	Eichelberger	D26/39
D932,712	S	*	10/2021	Mott	D30/152
D939,744	S	*	12/2021	Xu	F21L 14/00 D26/38
D975,325	S	*	1/2023	Miao	D26/37
D981,019	S	*	3/2023	Grandadam	D26/37
D1,001,399	S	*	10/2023	Pan	D10/104.1
D1,004,223	S	*	11/2023	Xie	D30/199
11,839,289	B2	*	12/2023	Di Rienzo	A01K 27/006
D1,014,876	S	*	2/2024	Wang	D30/199
2013/0258686	A1	*	10/2013	Ford	A01K 27/006 362/396
2023/0375166	A1	*	11/2023	Grandadam	F16M 13/06

OTHER PUBLICATIONS

Max & Molly Dog Collar LED Light, available in Amazon.com, date first available Oct. 10, 2018 [online], [site visited Oct. 13, 2023], Available from the internet URL: <https://www.amazon.com/dp/B076CP8ZWH?th=1> (Year: 2018).*

Super Bright Clip On Running Light, available in Amazon.com, date first available Jun. 28, 2022 [online], [site visited Oct. 20, 2023], Available from the internet URL: <https://www.amazon.com/Running-Jogging-Magnetic-Rechargeable-Reflective/dp/B0B58ZQ7ZC/> (Year: 2022).*

* cited by examiner

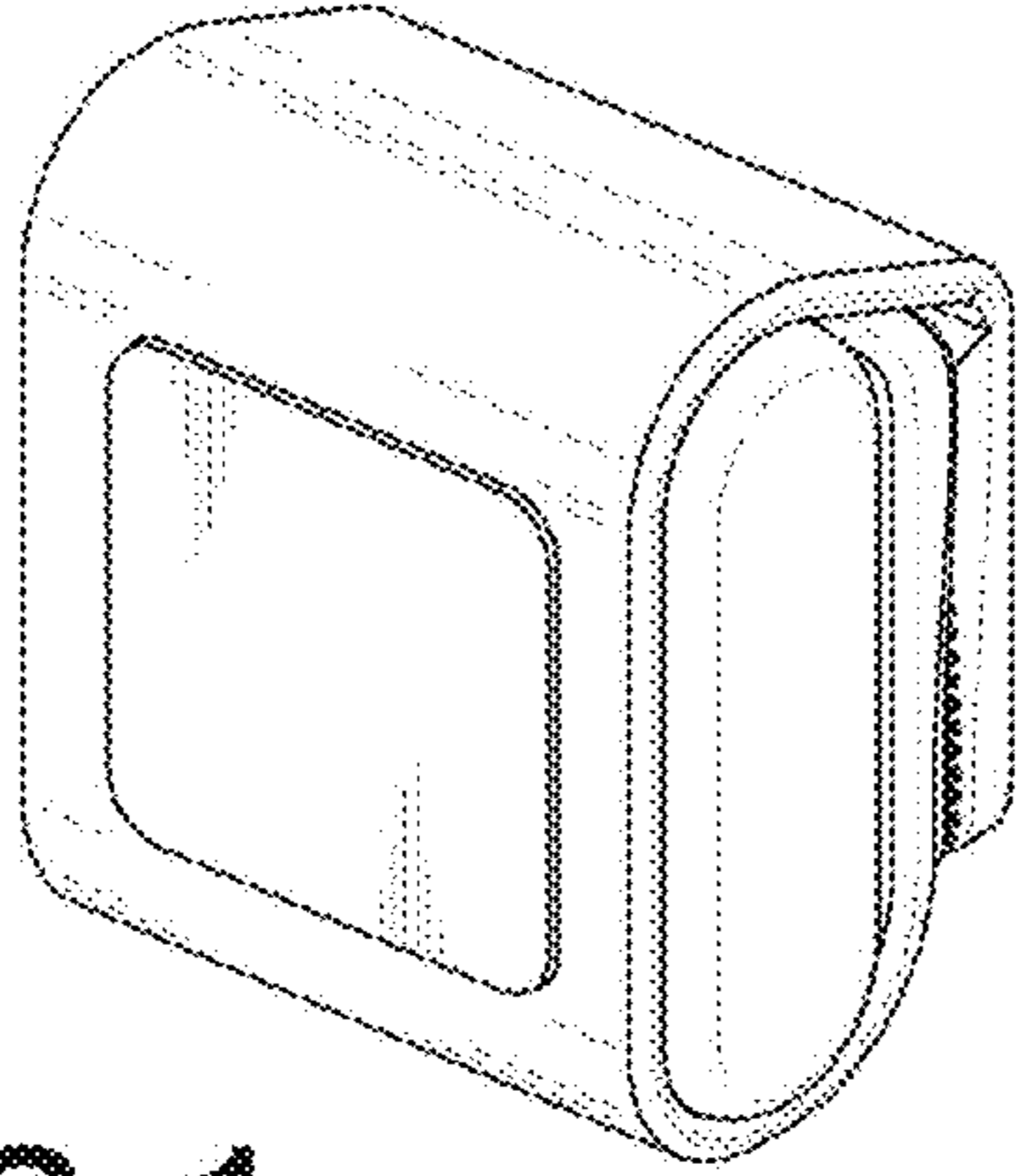


FIG. 1

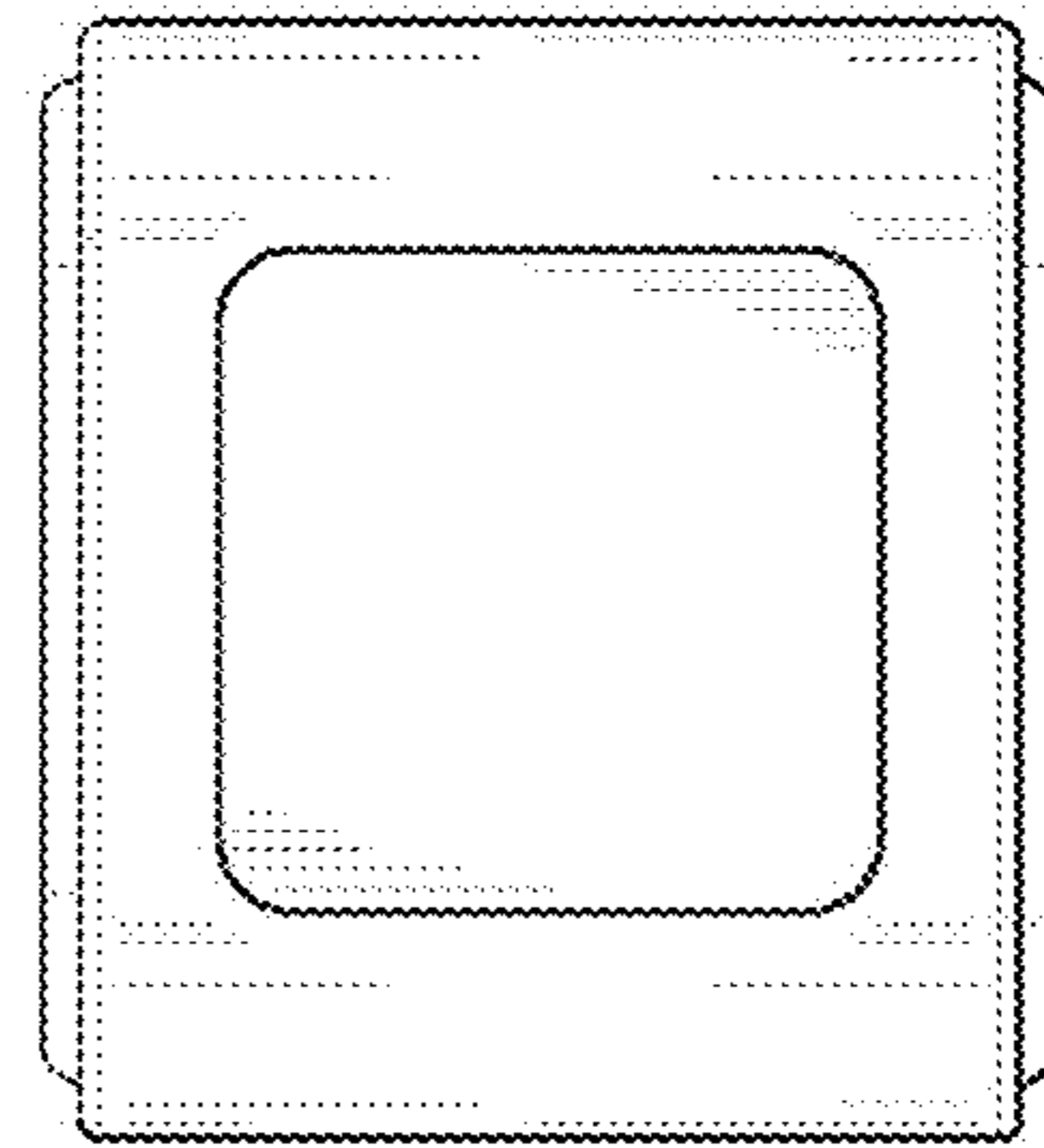


FIG. 3

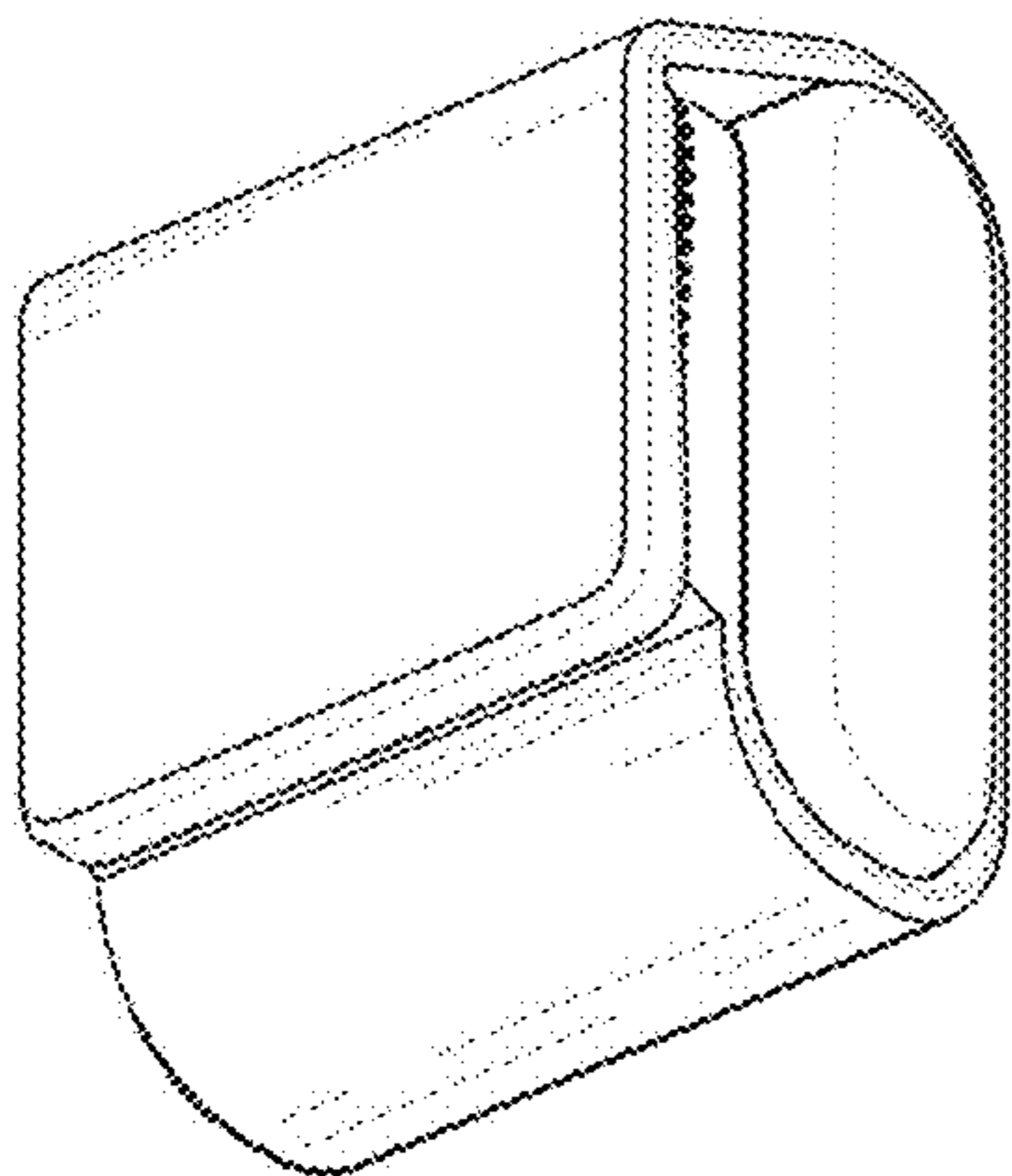


FIG. 2

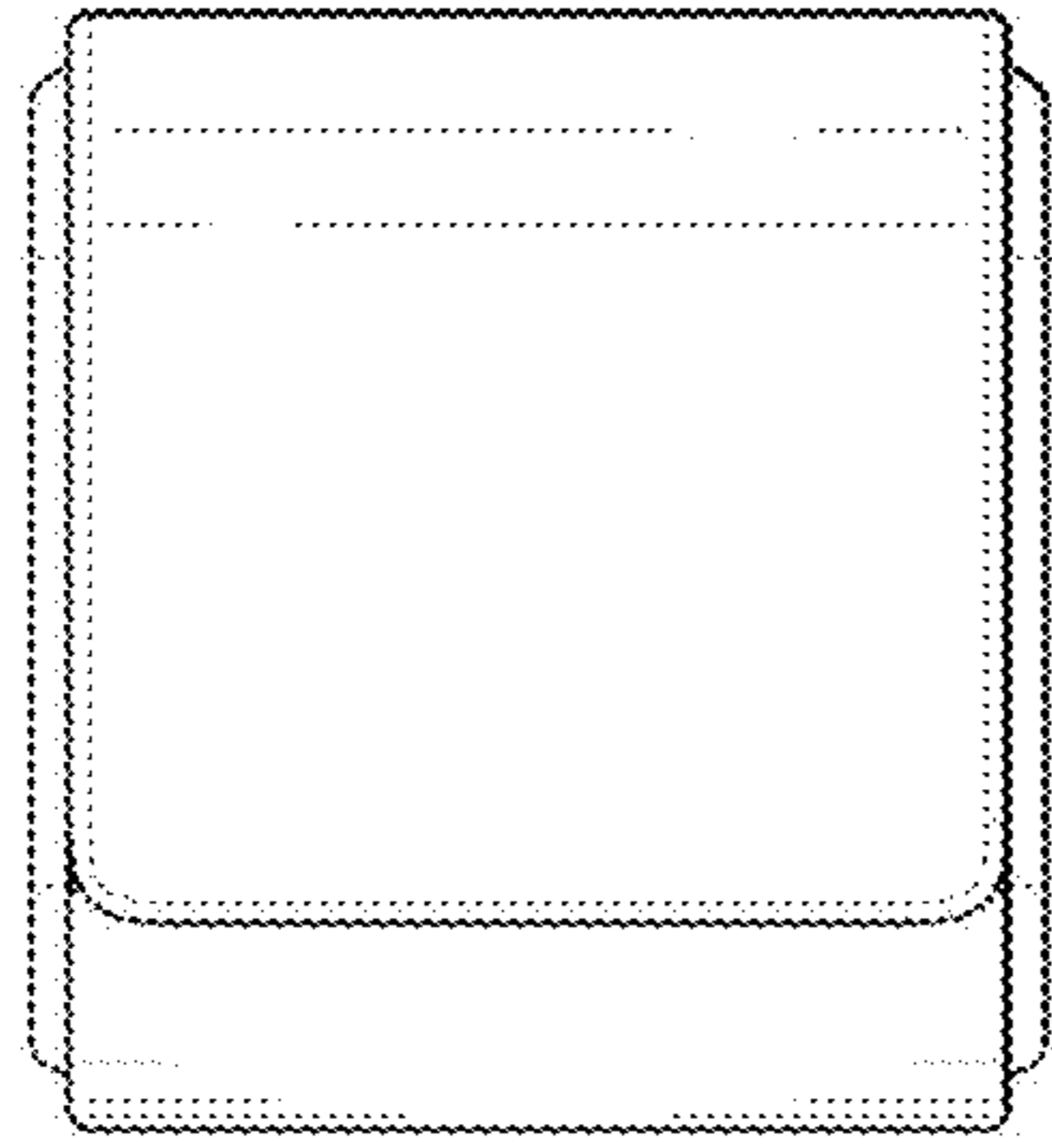


FIG. 4

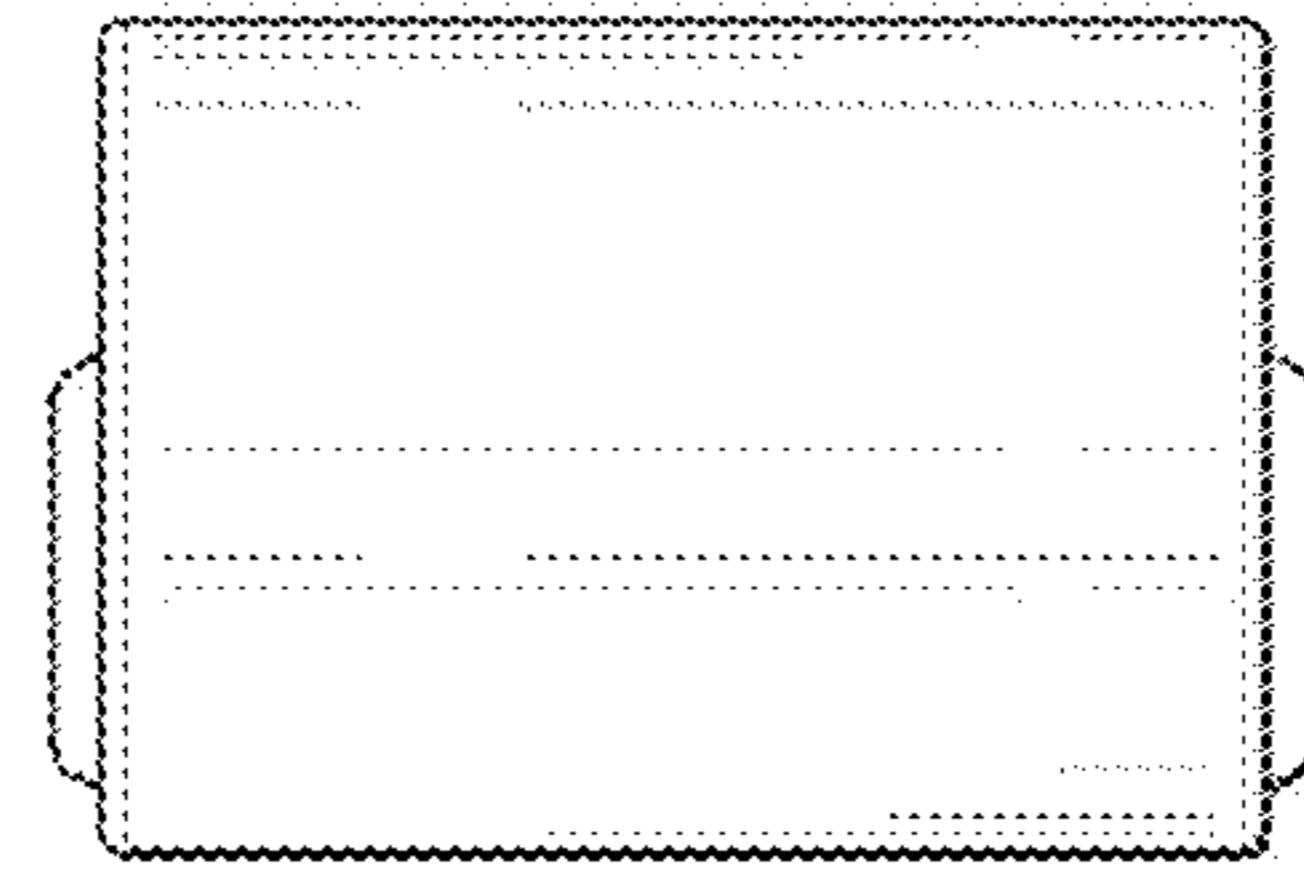


FIG. 5

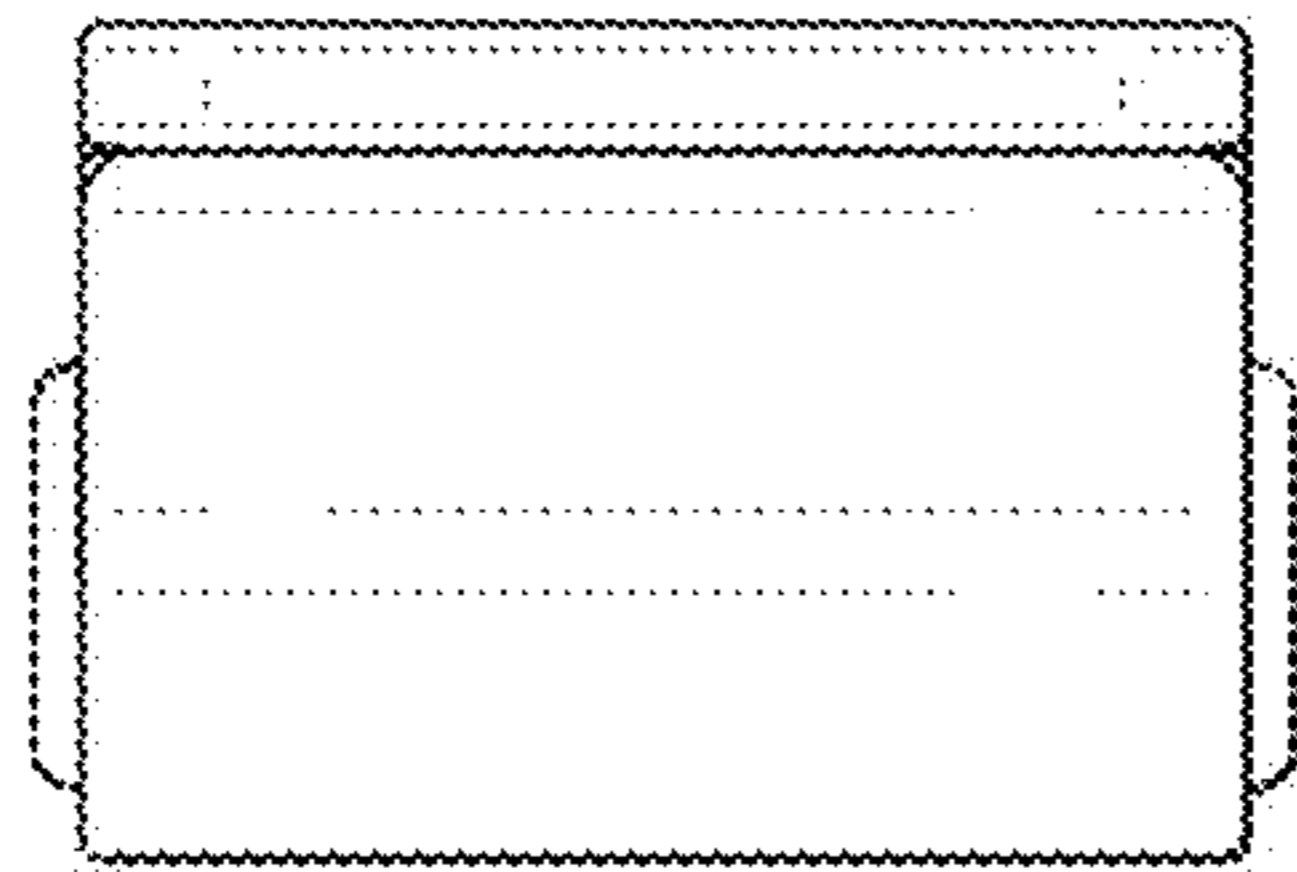


FIG. 6

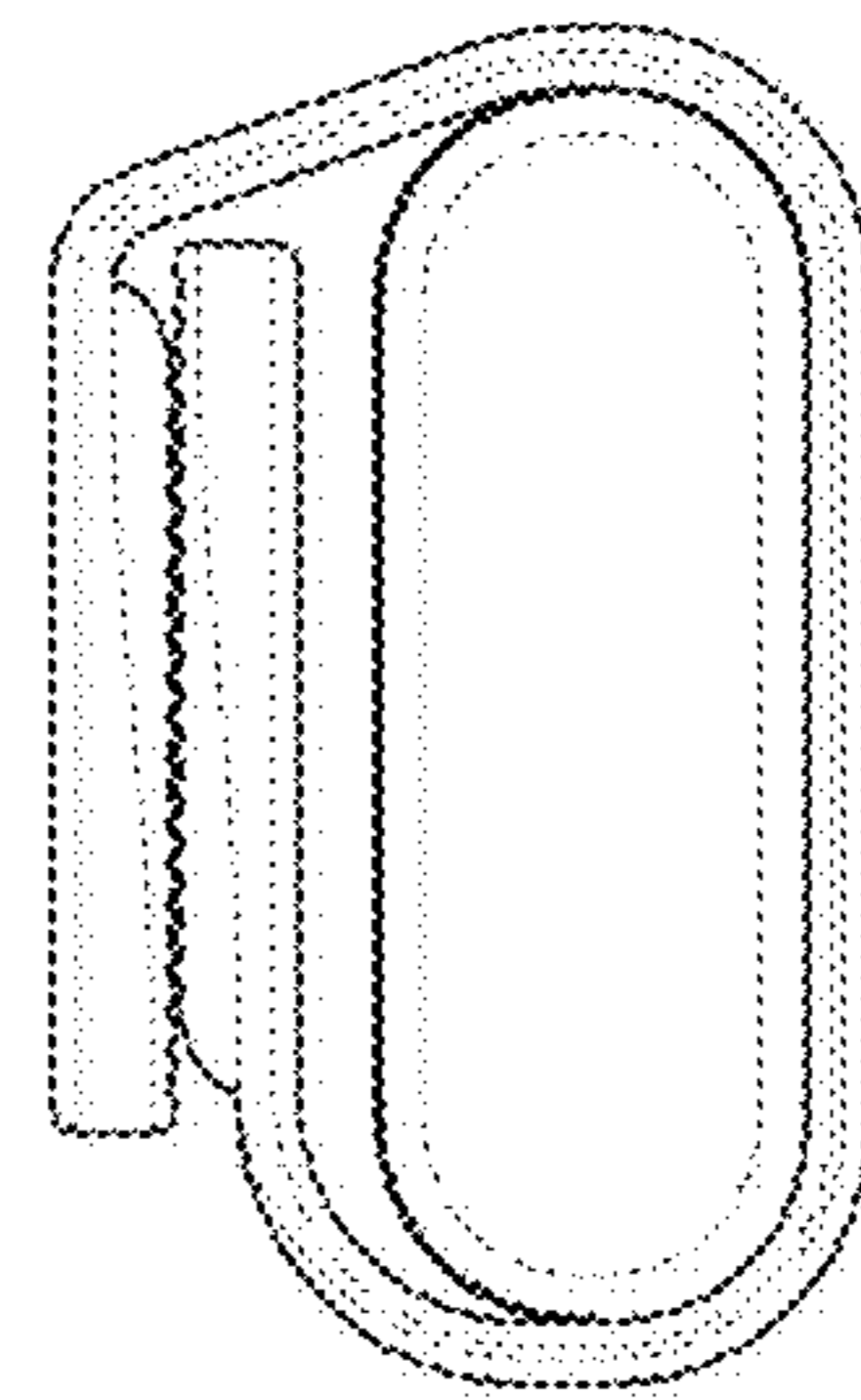


FIG. 7

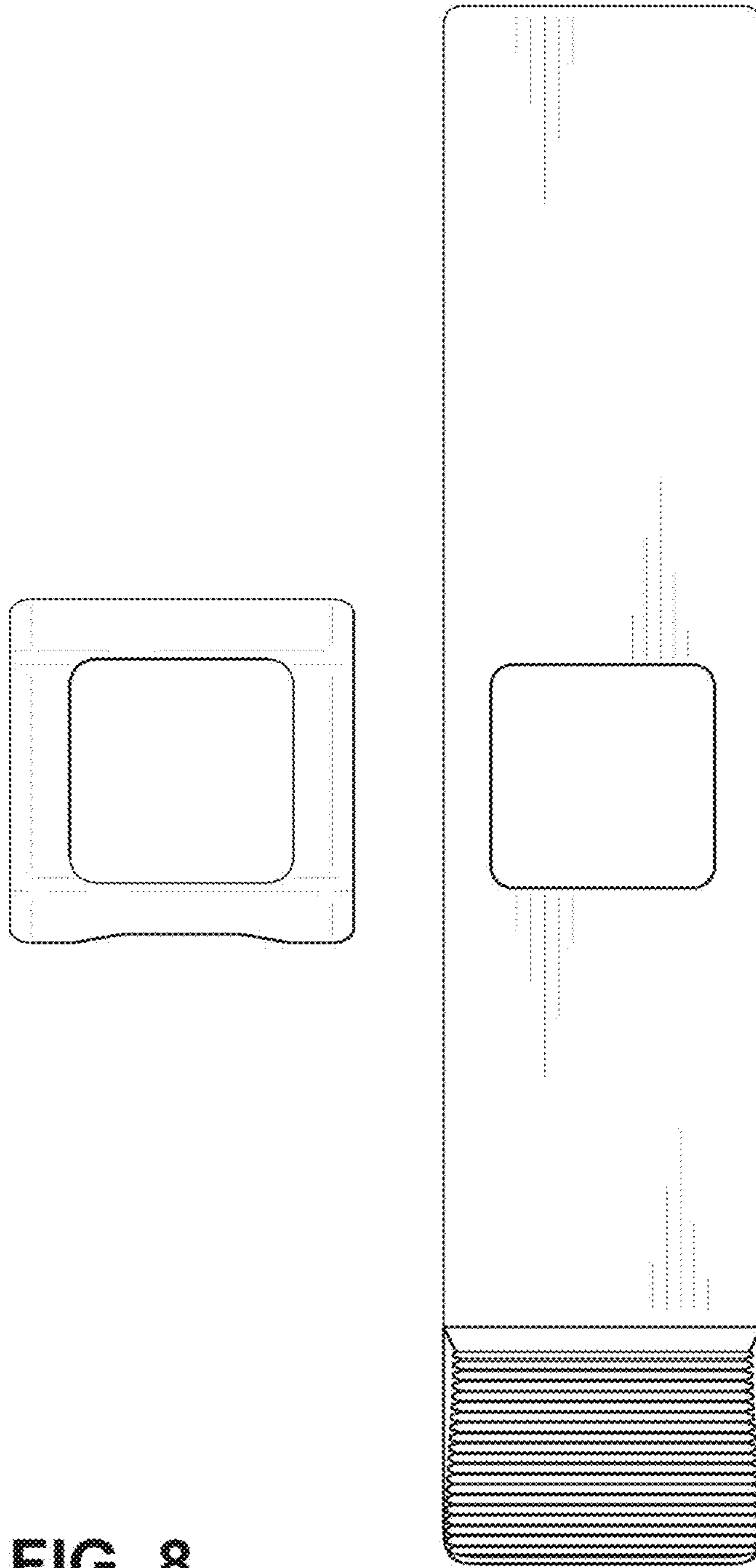


FIG. 8

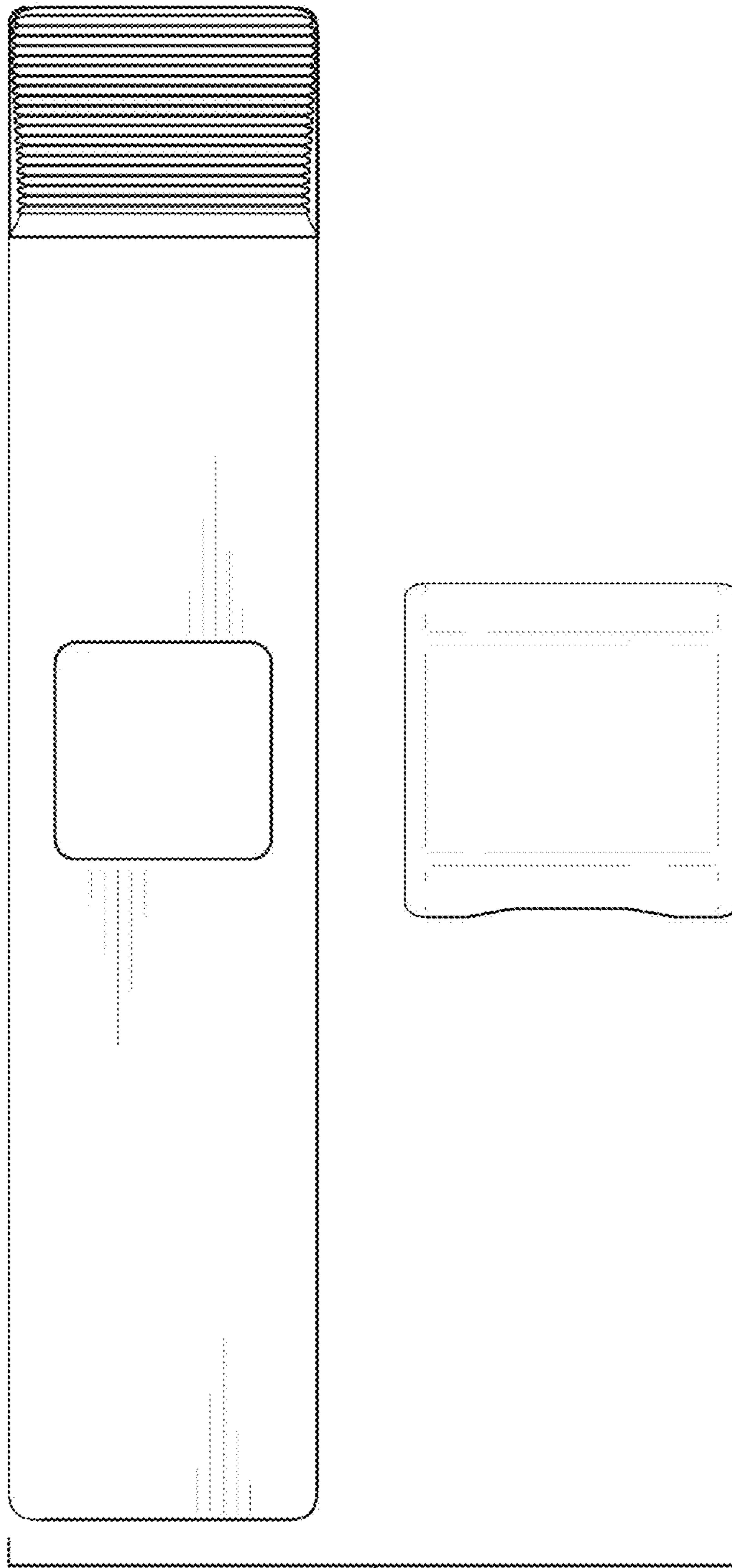


FIG. 9

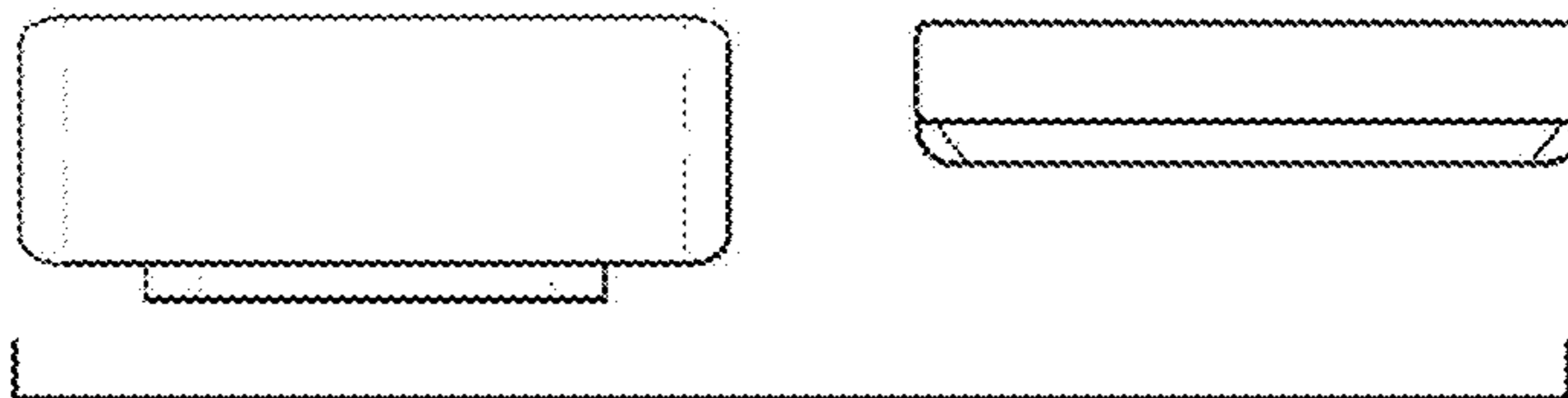


FIG. 10

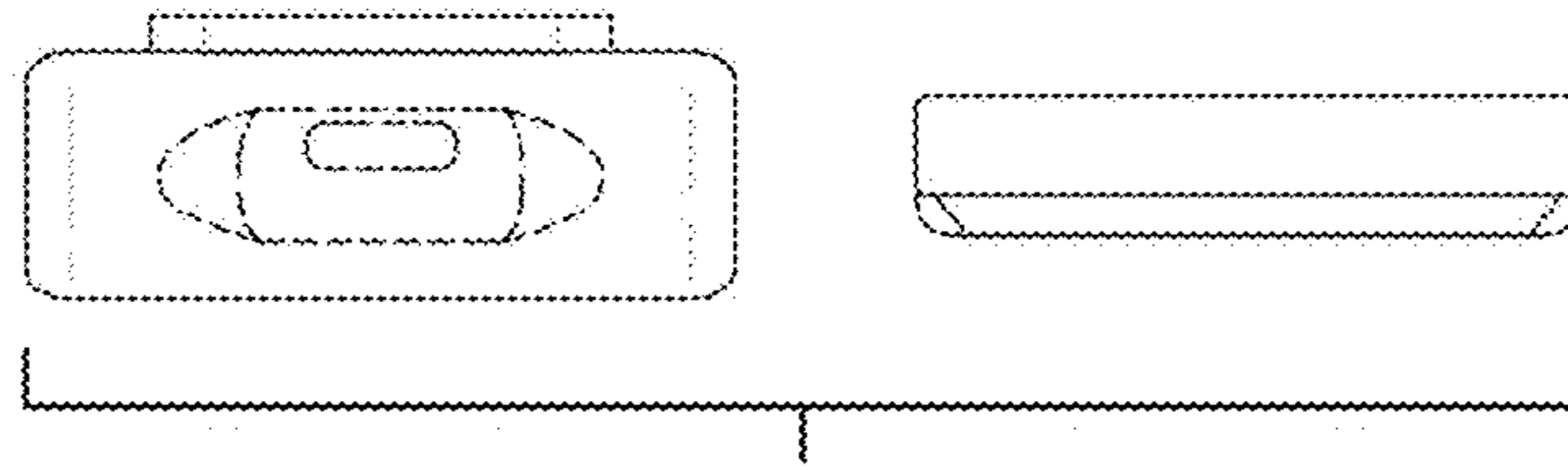


FIG. 11

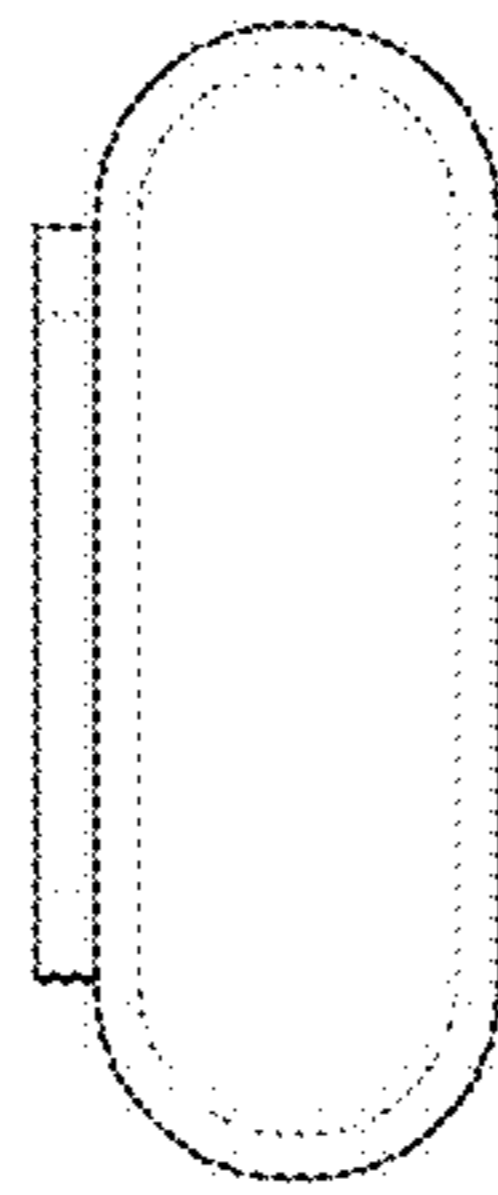


FIG. 12

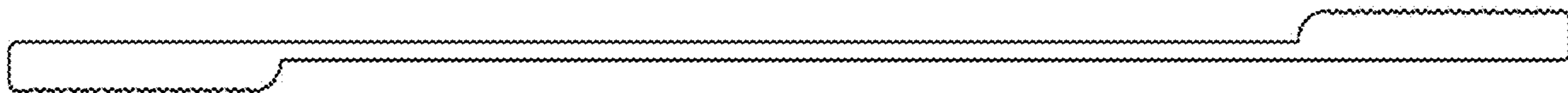


FIG. 13