



US0D1031562S

(12) **United States Design Patent**  
**Benjamin et al.**

(10) **Patent No.:** **US D1,031,562 S**

(45) **Date of Patent:** **\*\* Jun. 18, 2024**

(54) **AUTOMOBILE INTERIOR**

(71) Applicant: **FCA US LLC**, Auburn Hills, MI (US)

(72) Inventors: **Chris A Benjamin**, Lake Orion, MI (US); **Ryan C Nagode**, West Bloomfield, MI (US); **Everhard J Scott**, Sterling Heights, MI (US); **Zachary A Carter**, Macomb, MI (US); **Benjamin T Treinen**, Birmingham, MI (US); **Joshua Desouza**, Hazel Park, MI (US)

(73) Assignee: **FCA US LLC**, Auburn Hills, MI (US)

(\*\*) Term: **15 Years**

(21) Appl. No.: **29/859,707**

(22) Filed: **Nov. 11, 2022**

(51) **LOC (14) Cl.** ..... **12-16**

(52) **U.S. Cl.**  
USPC ..... **D12/192**

(58) **Field of Classification Search**  
USPC ..... D12/114, 190-192, 415, 419; D7/620; D20/35, 39  
CPC . B60Q 3/10; B60Q 3/64; B60Q 3/225; B62D 25/14; B60R 13/02; B60N 3/10  
See application file for complete search history.

(56) **References Cited**

**U.S. PATENT DOCUMENTS**

D403,641 S \* 1/1999 Sacco ..... D12/192  
D532,730 S \* 11/2006 Kohara ..... D12/192

D534,467 S \* 1/2007 Pfeiffer ..... D12/192  
D539,714 S \* 4/2007 Toyama ..... D12/192  
D835,567 S \* 12/2018 Gaudreau ..... D12/415  
D887,954 S \* 6/2020 Xu ..... D12/415  
D940,028 S \* 1/2022 Benjamin ..... D12/192  
D968,292 S \* 11/2022 Benjamin ..... D12/192  
D988,973 S \* 6/2023 Benjamin ..... D12/192  
D1,004,506 S \* 11/2023 Payne ..... D12/192

\* cited by examiner

*Primary Examiner* — Joseph Kukella

*Assistant Examiner* — Lavon M. Amerson

(74) *Attorney, Agent, or Firm* — Jeremy J. Klobucar

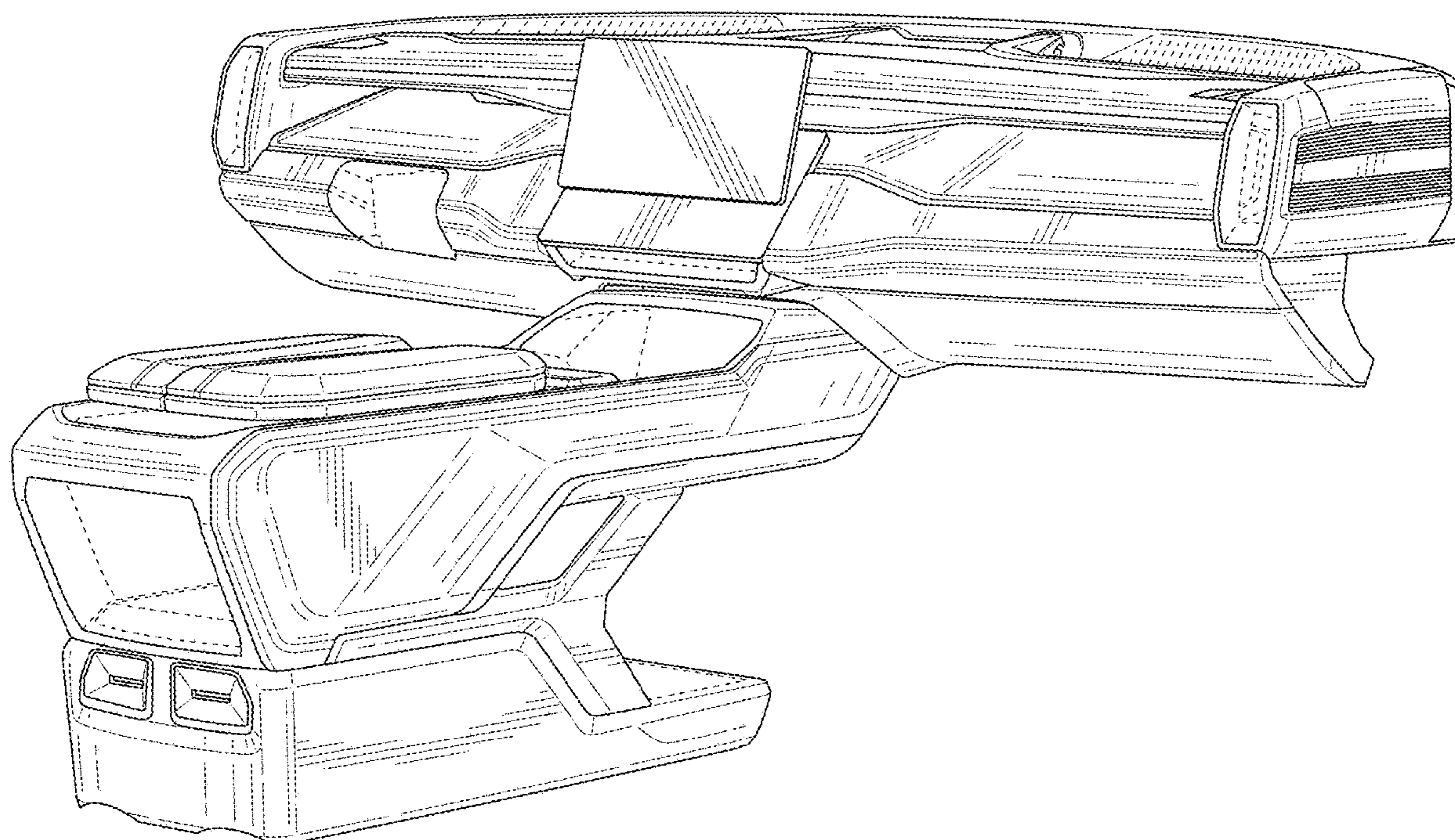
(57) **CLAIM**

The ornamental design for an automobile interior, as shown and described.

**DESCRIPTION**

FIG. 1 is a ride side front perspective view of an automobile interior showing our new design;  
FIG. 2 is a left side front perspective view thereof;  
FIG. 3 is a front view thereof;  
FIG. 4 is a side view thereof;  
FIG. 5 is a opposite side view thereof; and,  
FIG. 6 is a top plan view thereof.  
The broken lines in the drawings illustrate portions of the automobile interior that form no part of the claimed design.

**1 Claim, 6 Drawing Sheets**



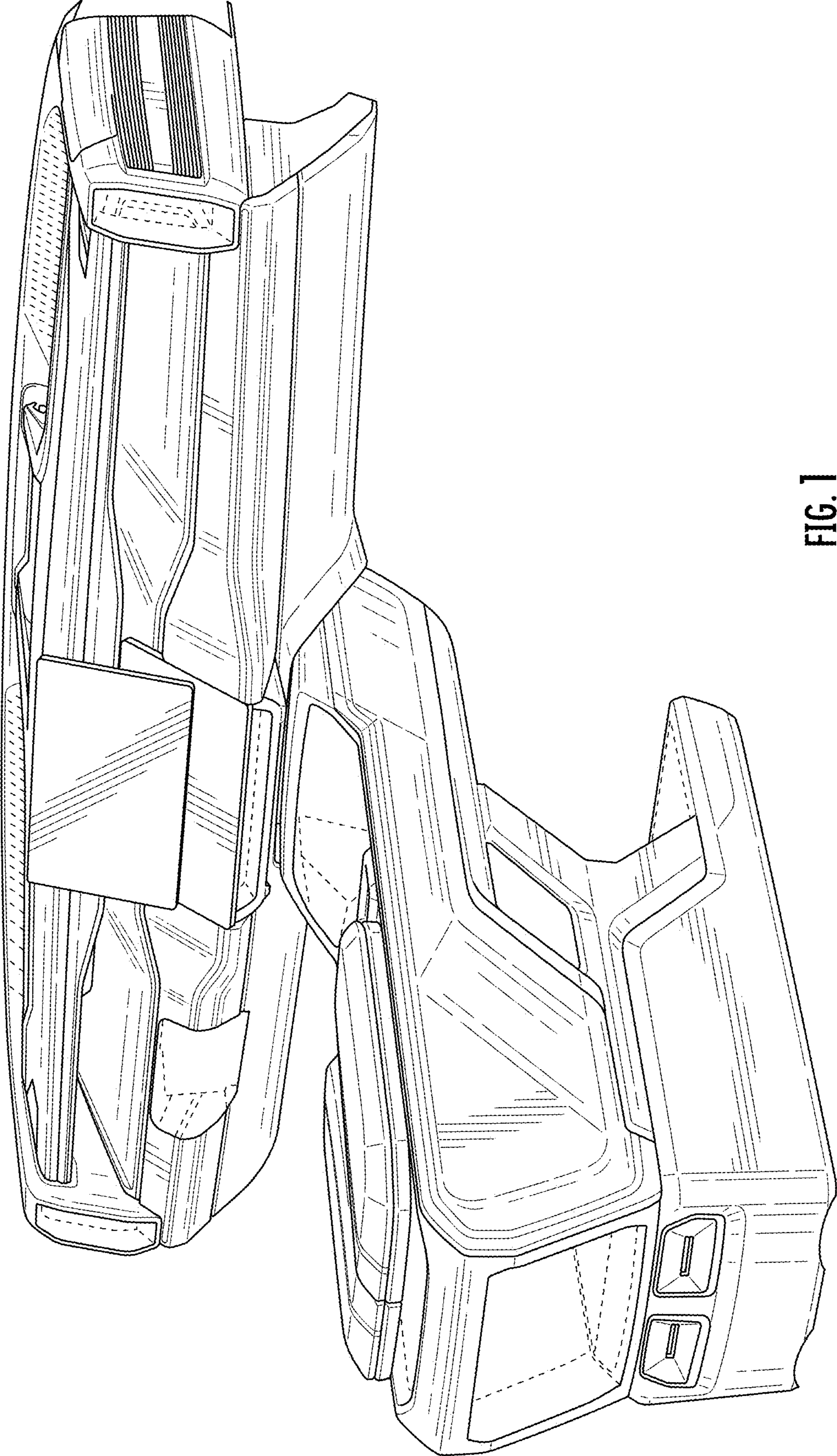


FIG. 1

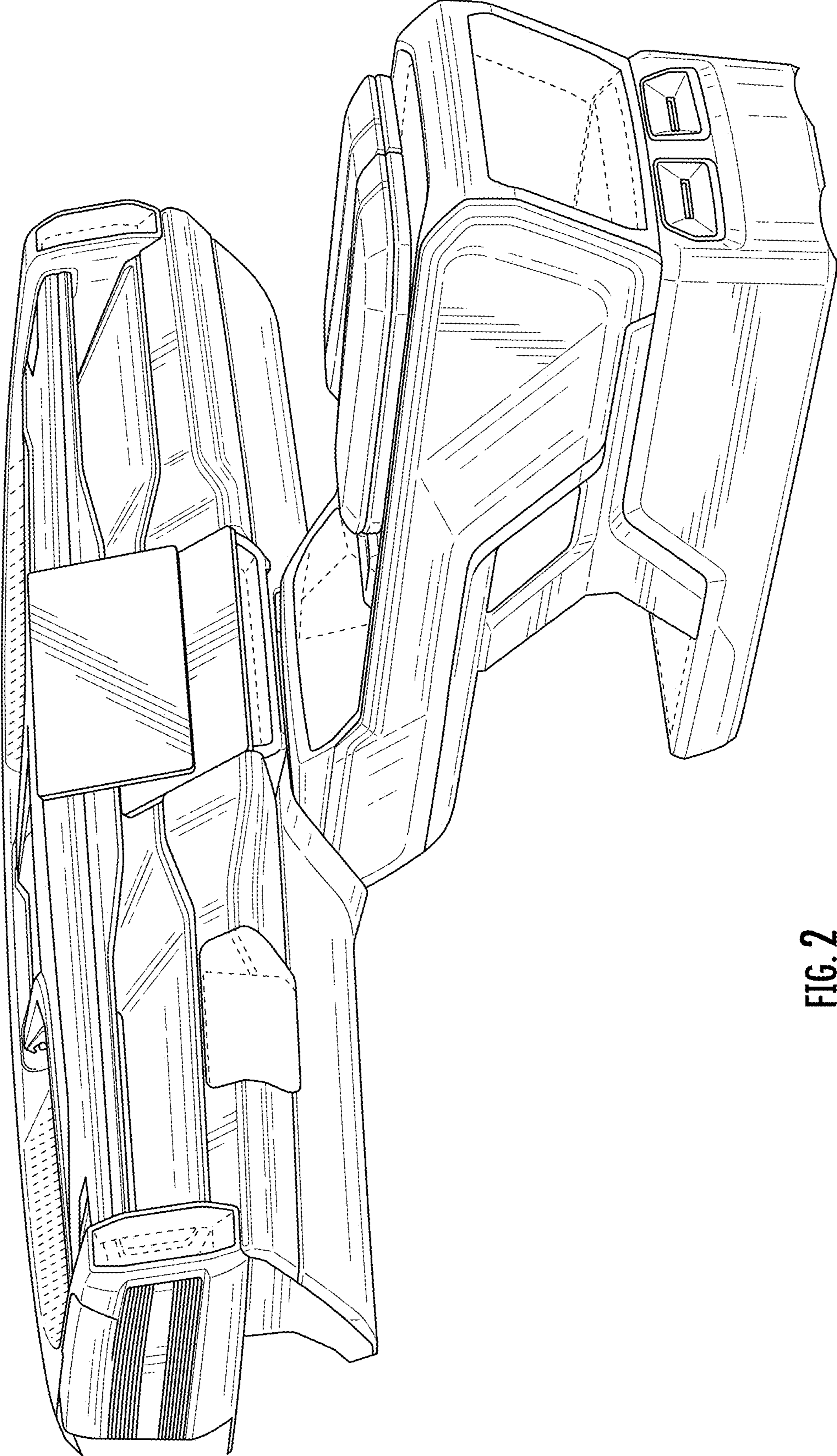


FIG. 2

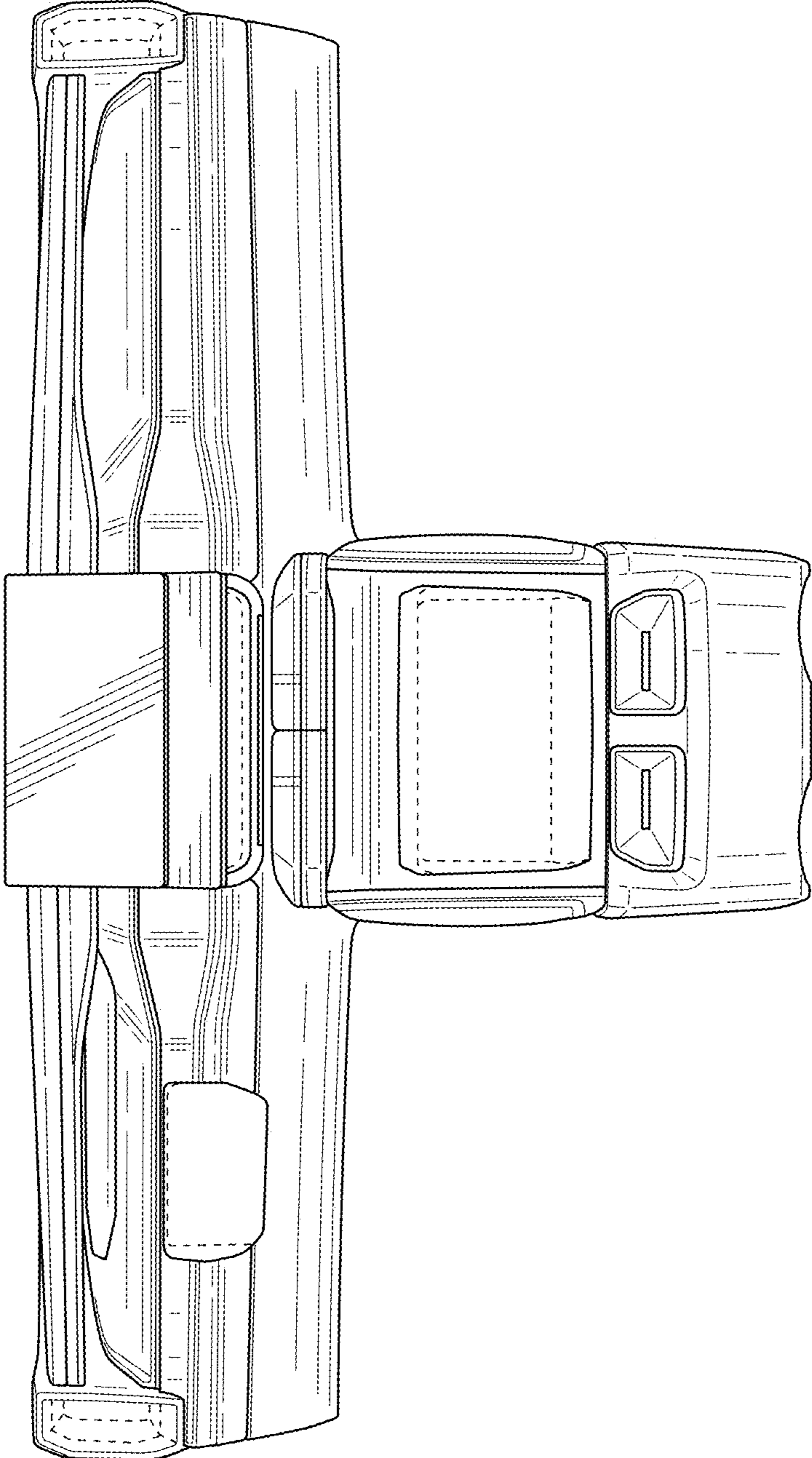


FIG. 3

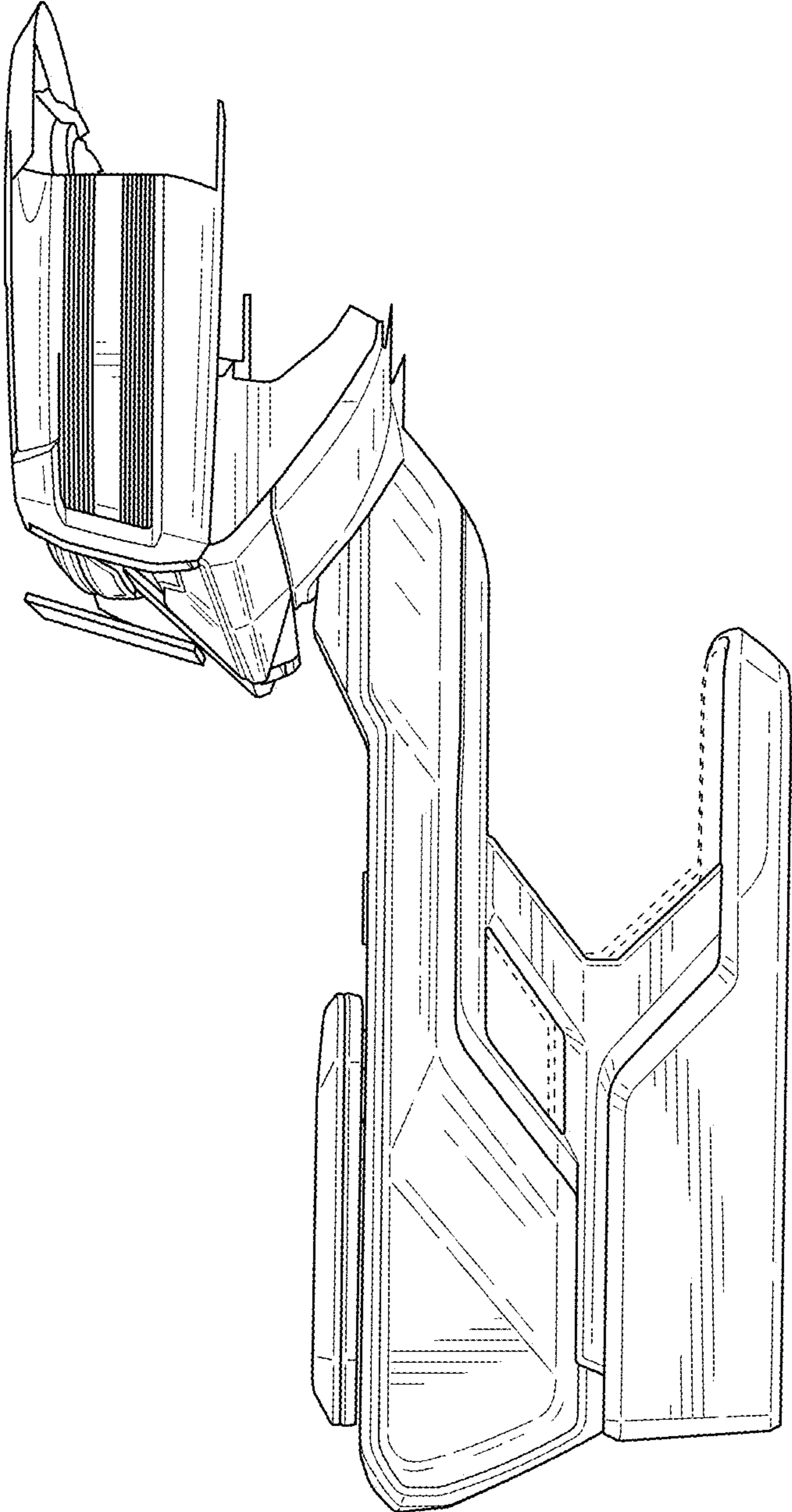


FIG. 4

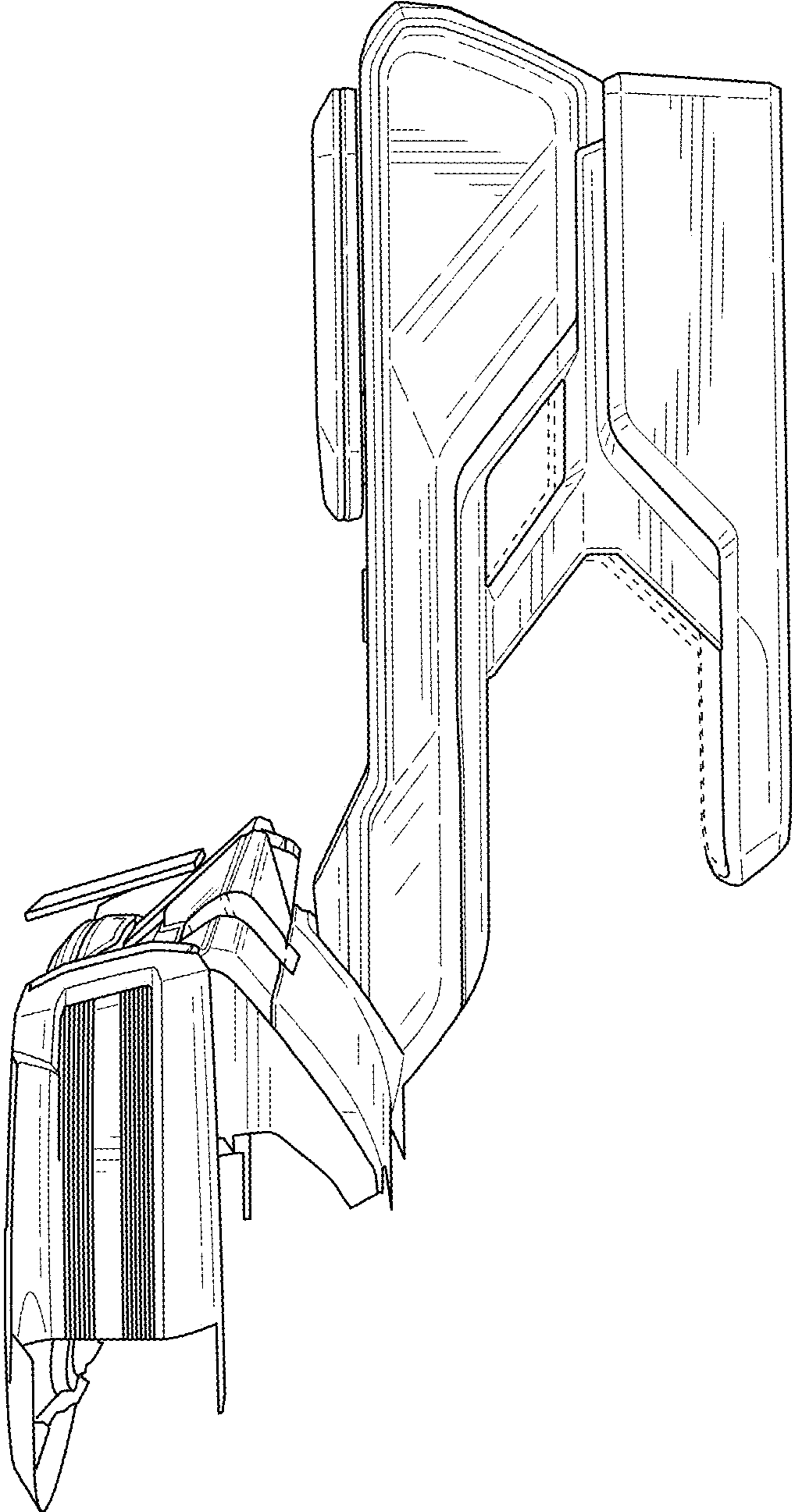


FIG. 5

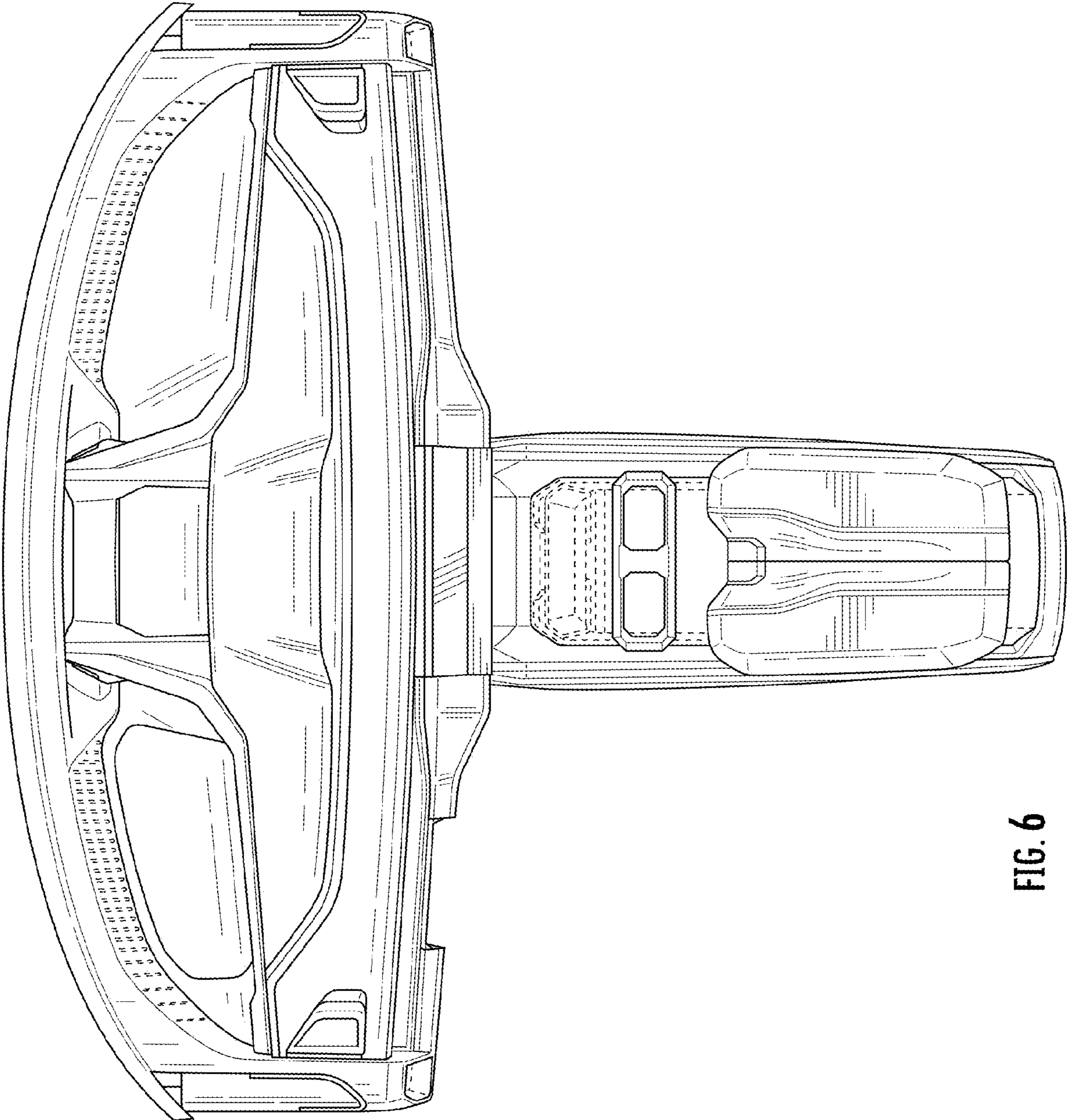


FIG. 6