



US00D713054S

(12) **United States Design Patent**
Teffenhart, Jr.

(10) **Patent No.:** **US D713,054 S**
(45) **Date of Patent:** **** Sep. 9, 2014**

(54) **SELF-MATING BEAM INTERLOCKING OR INTERFITTING JOINT**

(76) Inventor: **Thomas Joseph Teffenhart, Jr.**,
Sarasota, FL (US)

(**) Term: **14 Years**

(21) Appl. No.: **29/430,489**

(22) Filed: **Aug. 27, 2012**

Related U.S. Application Data

(60) Continuation of application No. 29/364,222, filed on Jun. 21, 2010, now Pat. No. Des. 666,743, which is a division of application No. 29/352,494, filed on Dec. 22, 2009, now Pat. No. Des. 620,618, which is a continuation-in-part of application No. 12/015,117, filed on Jan. 16, 2008, now Pat. No. 7,877,962, application No. 29/430,489, which is a continuation-in-part of application No. 13/010,875, filed on Jan. 21, 2011, now abandoned, which is a continuation of application No. 12/015,117, filed on Jan. 16, 2008, now Pat. No. 7,877,962.

(51) **LOC (10) Cl.** **25-02**

(52) **U.S. Cl.**
USPC **D25/61**

(58) **Field of Classification Search**
USPC D25/61; 52/633, 844, 845, 63
See application file for complete search history.

(56) **References Cited**

U.S. PATENT DOCUMENTS

1,997,876 A	4/1935	Sheldon
3,139,960 A	7/1964	Hammitt et al.
3,143,165 A	8/1964	Lewis et al.
3,222,841 A	12/1965	Lipof
3,224,154 A	12/1965	Toti et al.
3,332,197 A	7/1967	Hinkle
3,382,639 A	5/1968	Smith et al.

3,413,775 A	12/1968	Katz
3,566,561 A	3/1971	Tozer
3,830,033 A	8/1974	Gahler
3,866,364 A	2/1975	Pollard
4,002,000 A	1/1977	Howard et al.
4,057,941 A	11/1977	Schwartz
4,774,790 A	10/1988	Hopper
4,987,717 A	1/1991	Dameron, Jr.
5,031,083 A	7/1991	Claesson
5,090,164 A	2/1992	Mische
D343,909 S	2/1994	Flynn
5,464,302 A	11/1995	Menchetti
D374,488 S	10/1996	Wang
5,813,641 A	9/1998	Baldwin
5,881,508 A	3/1999	Irvine et al.
D414,881 S	10/1999	Giese
6,092,348 A	7/2000	Dombchik et al.
6,357,196 B1	3/2002	McCombs
6,385,941 B1	5/2002	Power, Jr. et al.
6,405,504 B1	6/2002	Richardson
6,430,888 B1	8/2002	Dombchik et al.
6,601,362 B1	8/2003	Prince
6,668,495 B1	12/2003	Prince
6,755,004 B1	6/2004	Power, Jr. et al.

(Continued)

Primary Examiner — Doris Clark

(74) *Attorney, Agent, or Firm* — Jacox, Meckstroth & Jenkins

(57) **CLAIM**

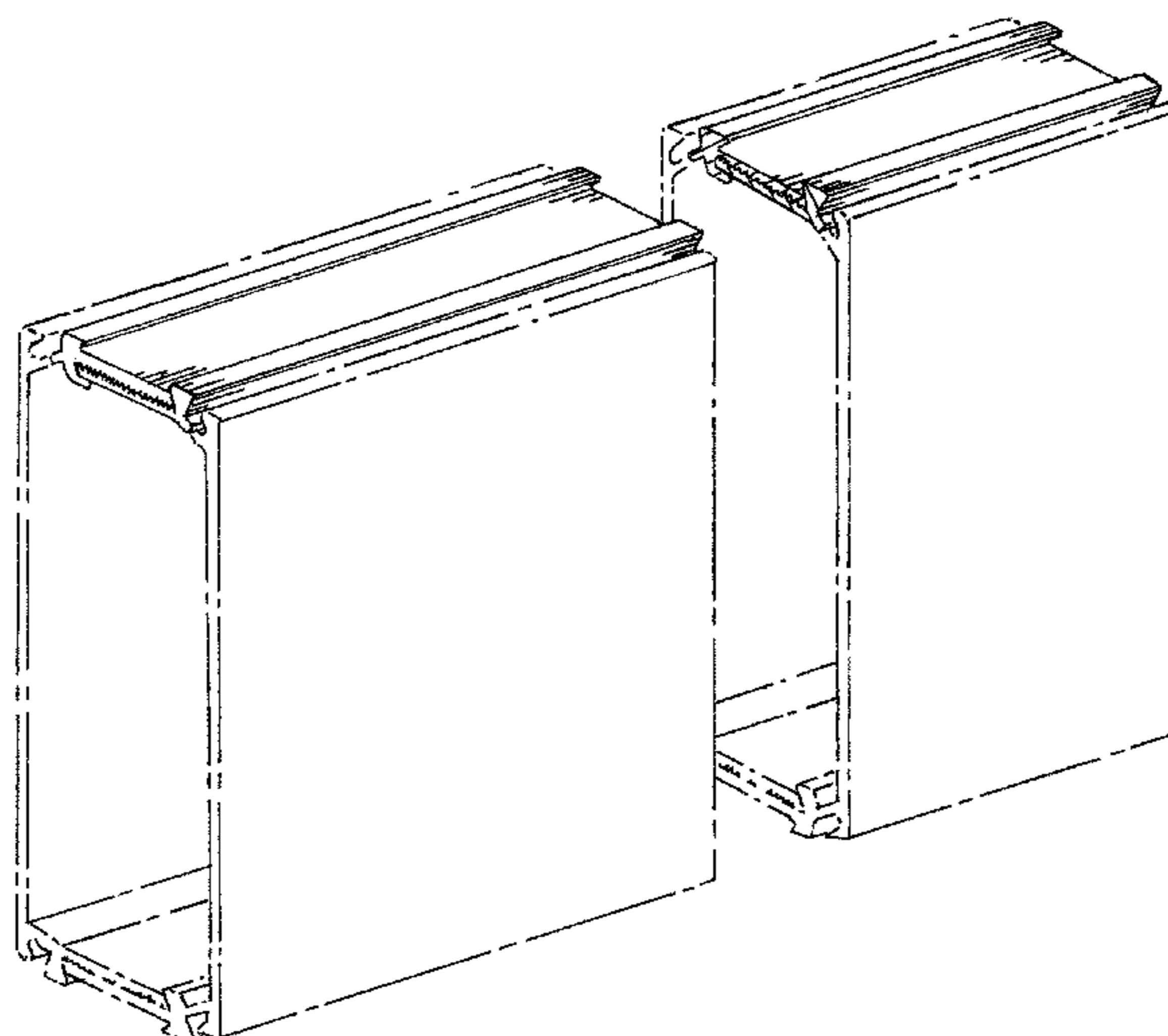
The ornamental design for self-mating beam interlocking or interfitting joint, as shown and described in FIGS. 1 and 2.

DESCRIPTION

FIG. 1 is a perspective view of a self-mating beam interlocking or interfitting joint in accordance with the invention; and, FIG. 2 is an end view of the self-mating beam interlocking or interfitting joint shown in FIG. 1.

The broken line showing of the self mating beam interlocking or interfitting joint in FIGS. 1-2 are for the purpose of the environment and forms no part of the claimed design.

1 Claim, 2 Drawing Sheets



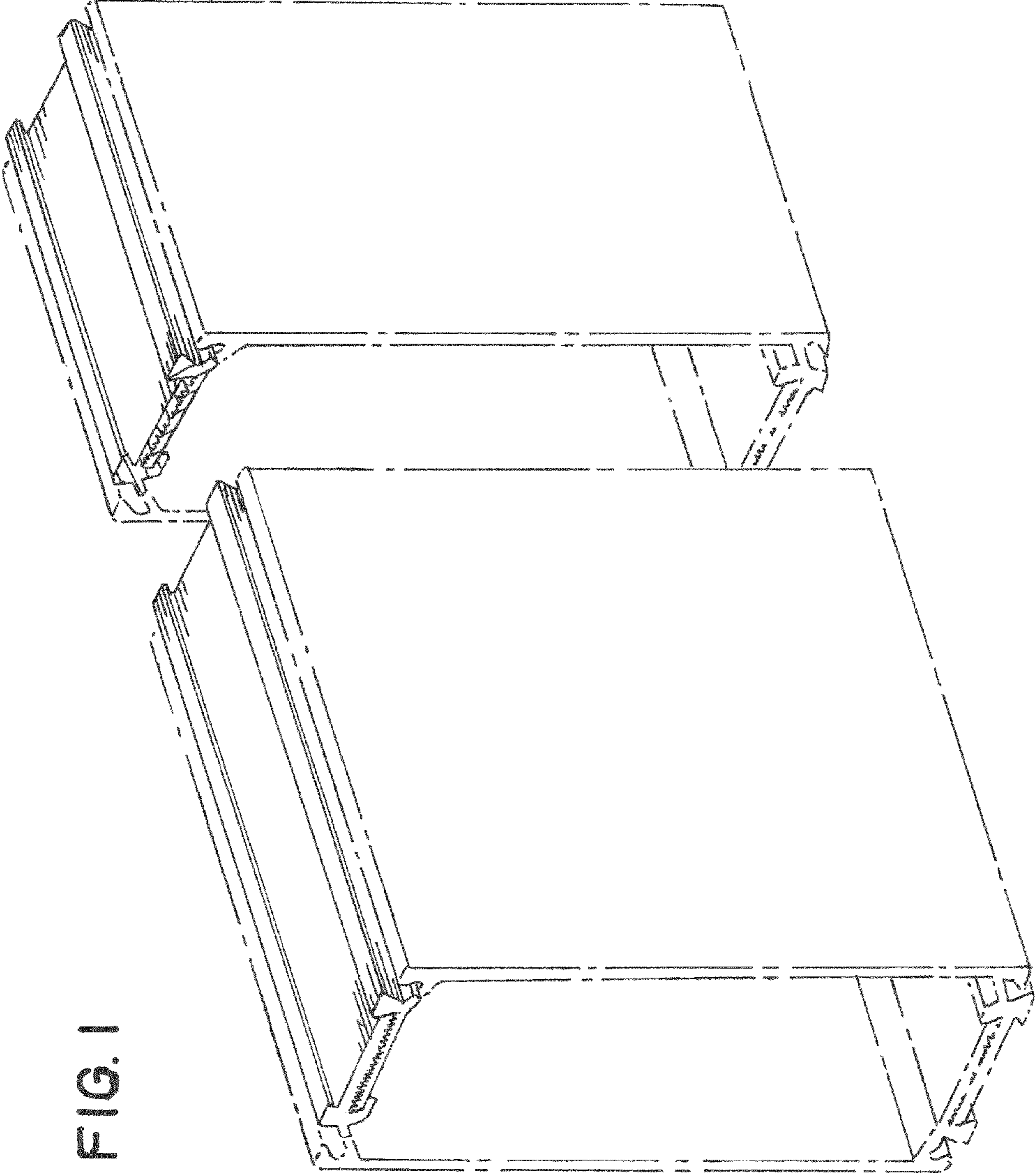


FIG. 1

FIG. 2

