



US00D787302S

(12) **United States Design Patent** (10) **Patent No.:** **US D787,302 S**  
**Honein** (45) **Date of Patent:** **\*\* May 23, 2017**

(54) **HANDRAIL BRACKET**  
(71) Applicant: **Jad Honein**, Seattle, WA (US)  
(72) Inventor: **Jad Honein**, Seattle, WA (US)  
(\*\*) Term: **15 Years**  
(21) Appl. No.: **29/532,251**  
(22) Filed: **Jul. 2, 2015**  
(51) **LOC (10) Cl.** ..... **08-05**  
(52) **U.S. Cl.**  
USPC ..... **D8/363**  
(58) **Field of Classification Search**  
USPC ..... D8/16, 19, 349, 354, 355, 363, 364,  
D8/370-373, 376, 380, 381, 382,  
D8/384-386; D6/553, 550, 323;  
D23/223, 238, 252, 257; D11/208;  
D20/15, 41, 42; D12/416; D25/38.1, 39,  
D25/43; D3/324, 327, 512, 553, 554,  
D3/555  
CPC ..... E04F 11/1804; E04F 11/1836; A47K  
2201/02; E04G 5/14; E04G 21/3233;  
E04G 5/145; E04G 21/3223; E04G 5/001;  
E04G 5/061; Y10S 16/90; Y10S 256/06;  
Y10T 16/50; Y10T 24/4447; Y10T  
29/49826; B66B 23/04; B66B 23/22;  
B66B 23/24; F21W 2111/08  
See application file for complete search history.

D468,191 S \* 1/2003 Burke ..... D8/363  
D646,957 S \* 10/2011 Syed ..... D8/363  
D660,687 S \* 5/2012 Fritz ..... D8/363  
D699,547 S \* 2/2014 Syed ..... D8/363  
D744,321 S \* 12/2015 Boynton ..... D8/363  
D753,931 S \* 4/2016 Schultz ..... D6/524  
2015/0204105 A1\* 7/2015 Honein ..... E04F 11/1834  
256/65.07  
2015/0361671 A1\* 12/2015 Honein ..... E04F 11/1804  
248/217.4

\* cited by examiner

*Primary Examiner* — Robert M Spear  
*Assistant Examiner* — Eliza Bennett-Hattan  
(74) *Attorney, Agent, or Firm* — Seed IP Law Group LLP

(57) **CLAIM**

The ornamental design for a handrail bracket, as shown and described.

**DESCRIPTION**

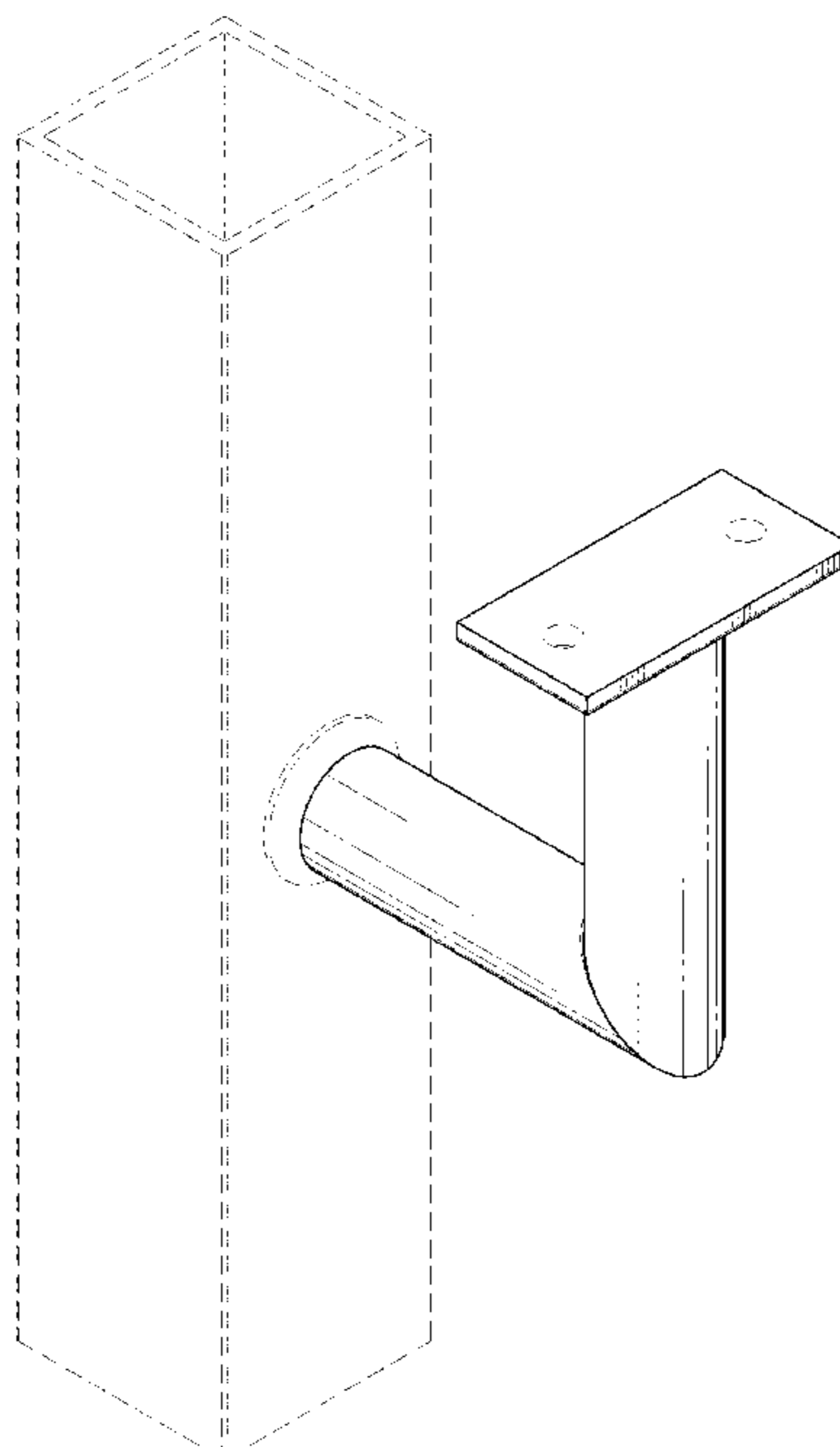
FIG. 1 is an isometric view of a handrail bracket of our new design in an installed environment.  
FIG. 2 is an enlarged isometric view of the handrail bracket of FIG. 1.  
FIG. 3 is a front elevational view thereof.  
FIG. 4 is a back elevational view thereof.  
FIG. 5 is a left side elevational view thereof, the right side elevational view is a mirror image of the left side.  
FIG. 6 is a bottom plan view thereof; and,  
FIG. 7 is a top plan view thereof.  
Shading lines shown in the drawings are intended to represent the three-dimensional contour of the design, and are not intended to indicate surface decoration. The broken lines in FIGS. 1, 2, 4, 6, and 7 depict environmental subject matter only and form no part of the claimed design. Unshaded surfaces form no part of the claim.

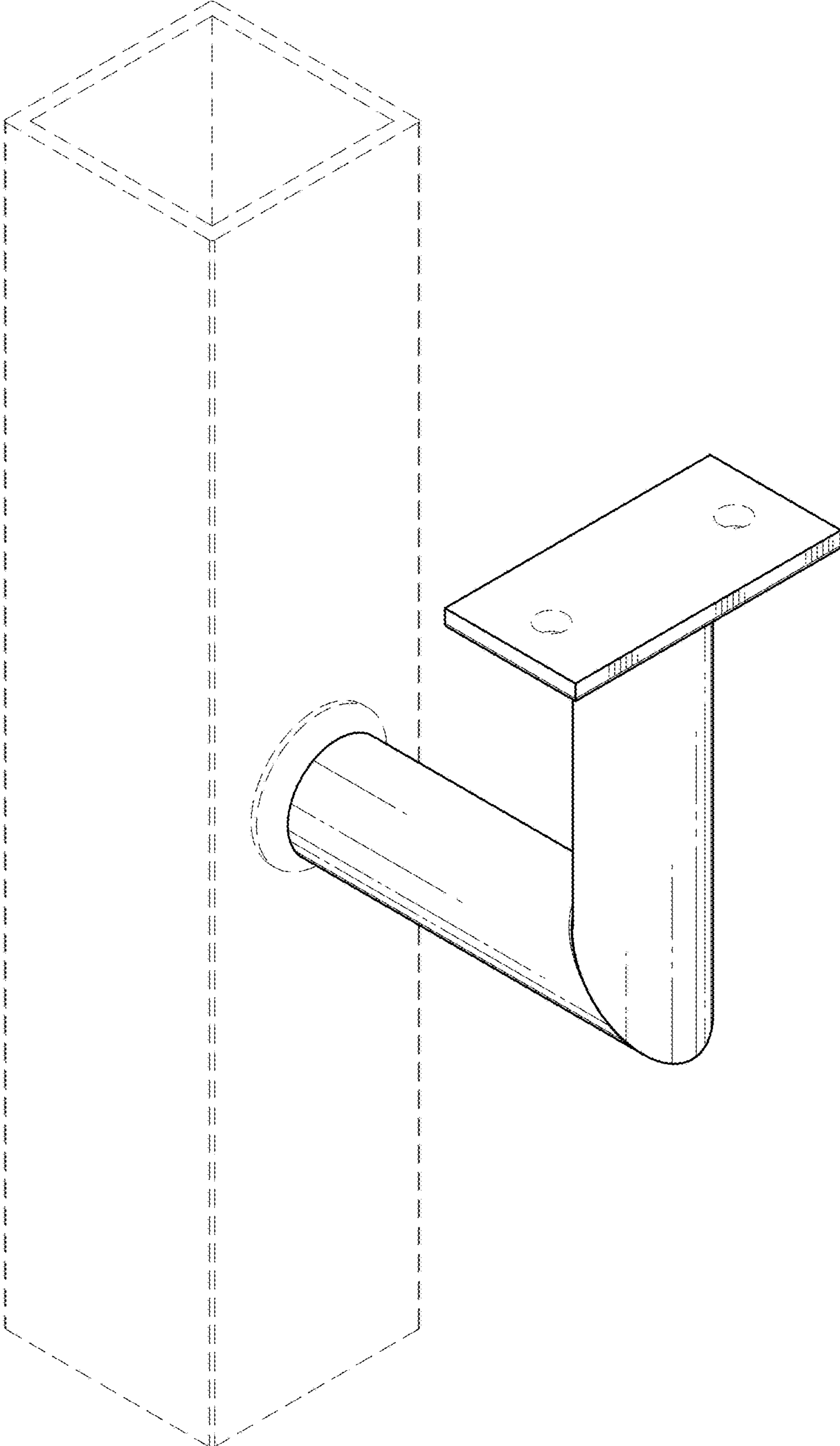
**1 Claim, 5 Drawing Sheets**

(56) **References Cited**

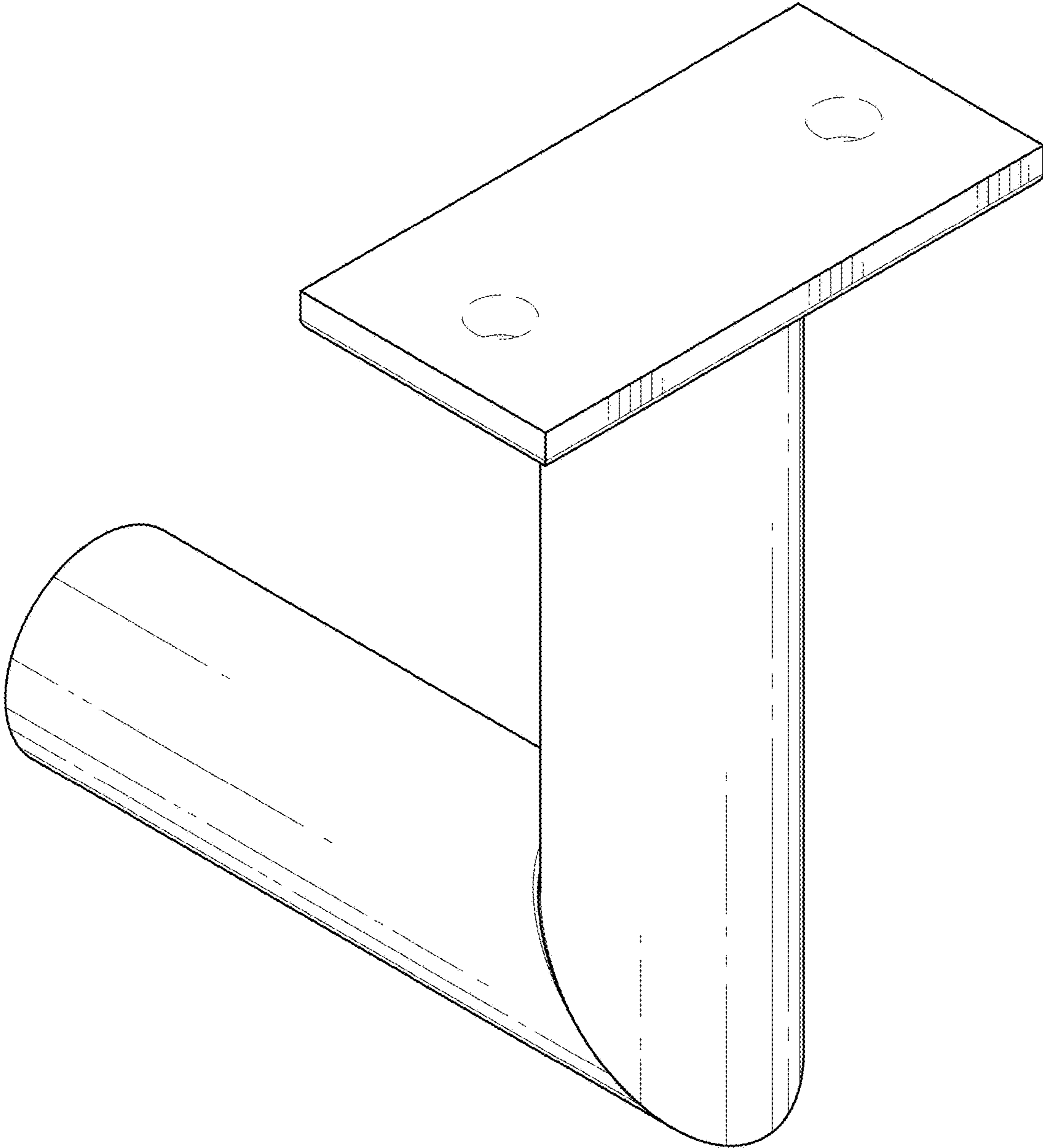
U.S. PATENT DOCUMENTS

D216,458 S \* 1/1970 Nestrock ..... D25/43  
D240,681 S \* 7/1976 Granatelli ..... D6/526  
D419,427 S \* 1/2000 Mulder ..... D8/363

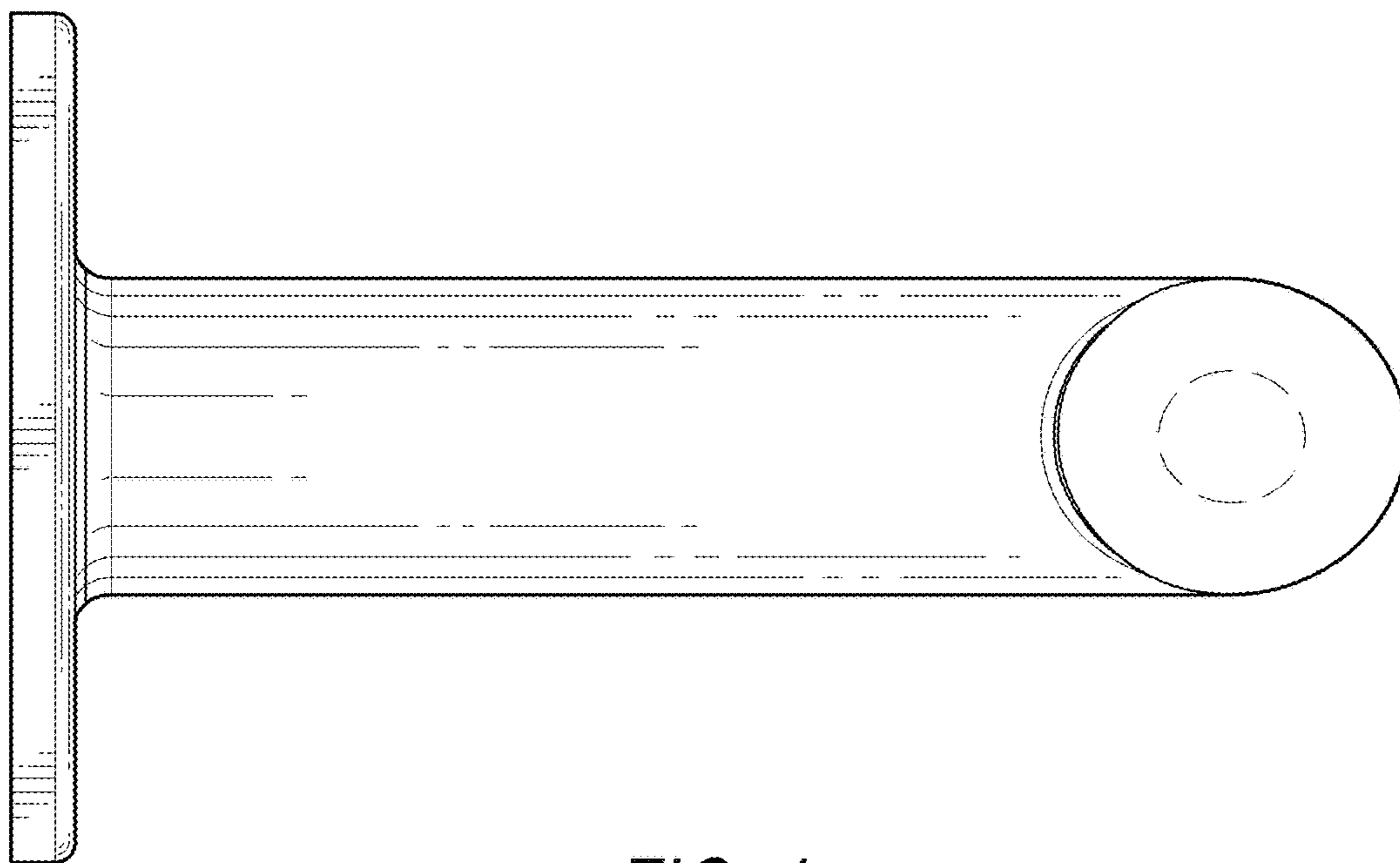




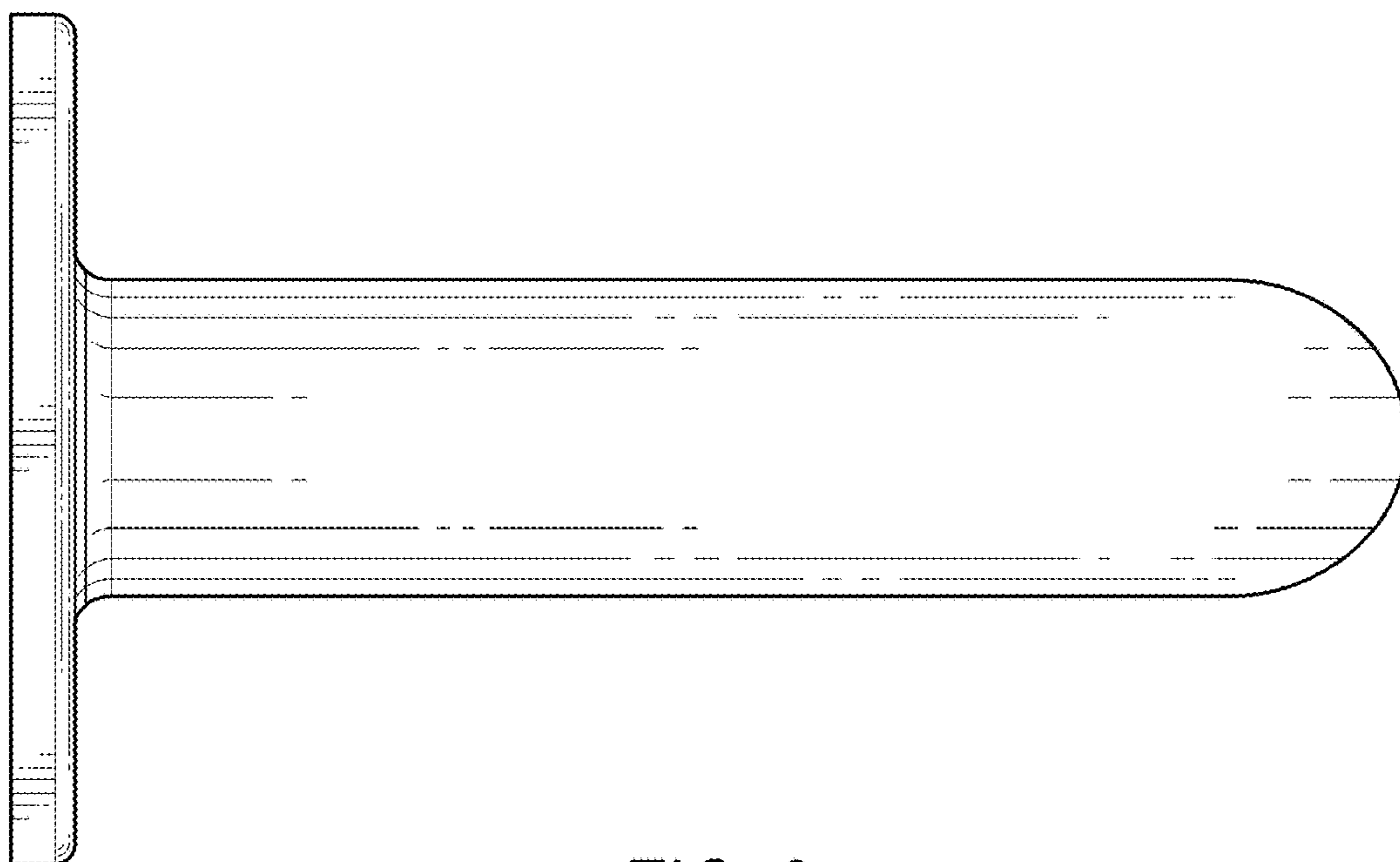
**FIG. 1**



**FIG. 2**



*FIG. 4*



*FIG. 3*

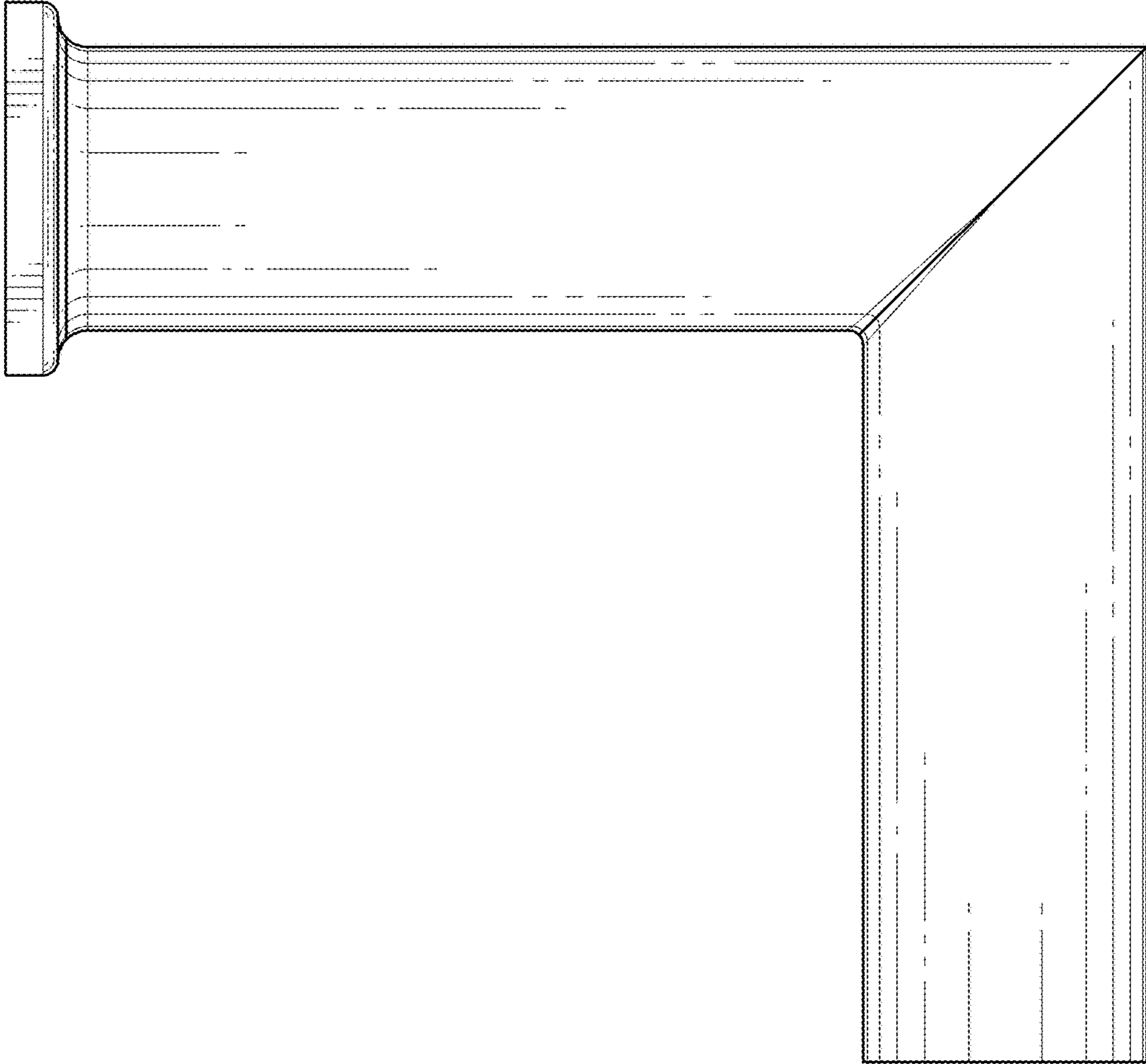
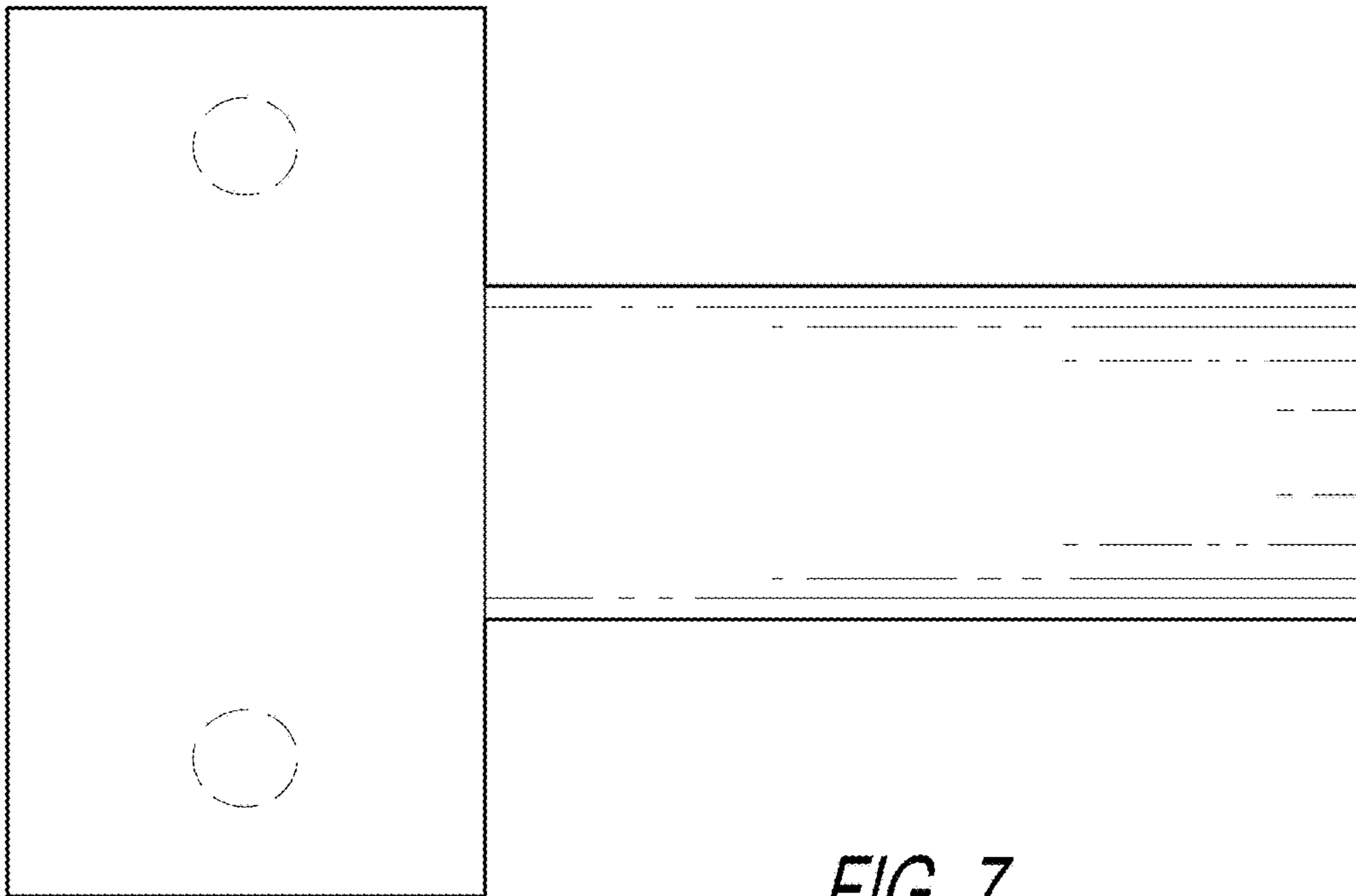
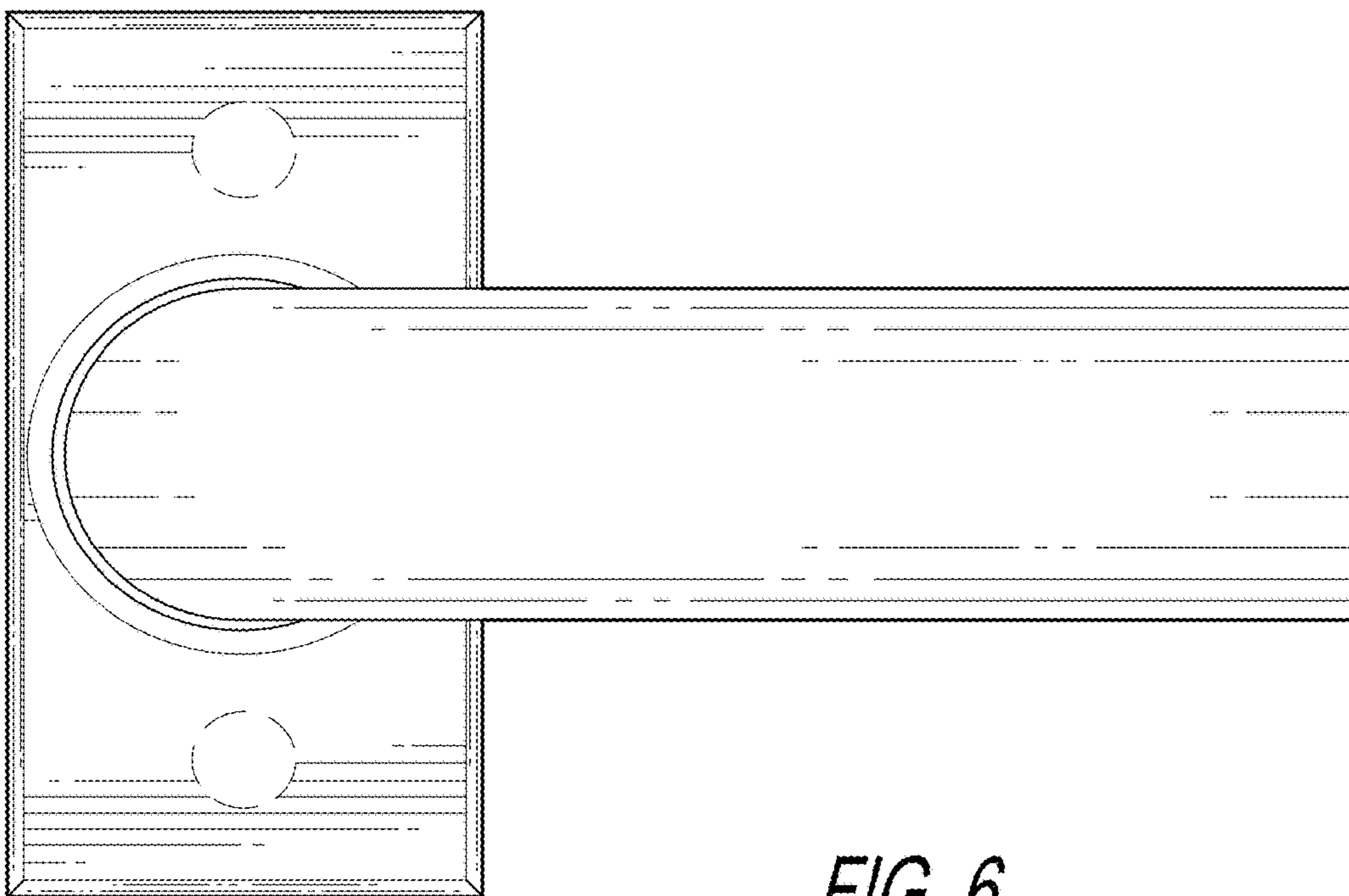


FIG. 5



*FIG. 7*



*FIG. 6*