



US00D919420S

(12) **United States Design Patent** (10) **Patent No.:** **US D919,420 S**
Teffenhart, Jr. (45) **Date of Patent:** **** May 18, 2021**

(54) **CORNER COUPLER**
(71) Applicant: **Thomas Joseph Teffenhart, Jr.**,
Sarasota, FL (US)
(72) Inventor: **Thomas Joseph Teffenhart, Jr.**,
Sarasota, FL (US)
(**) Term: **15 Years**
(21) Appl. No.: **29/654,155**
(22) Filed: **Jun. 21, 2018**
(51) **LOC (13) Cl.** **08-08**
(52) **U.S. Cl.**
USPC **D8/394**
(58) **Field of Classification Search**
USPC D8/354, 382, 394, 395, 396, 499;
D25/119, 121, 126
CPC A23P 10/10; A23G 3/56; A23G 3/343;
A21D 13/24; A21D 13/47
See application file for complete search history.

3,866,364 A 2/1975 Pollard
4,002,000 A 1/1977 Howard et al.
4,027,987 A 6/1977 Berkowitz
4,057,941 A 11/1977 Schwartz
4,112,853 A 9/1978 Tisbo et al.
4,242,969 A 1/1981 Checkwood et al.
D259,083 S * 5/1981 Riegsecker D8/382
4,270,872 A 6/1981 Kiyosawa
4,323,319 A 4/1982 Adams
4,368,998 A 1/1983 Pestoor
4,516,376 A 5/1985 King
4,630,550 A 12/1986 Weitzman
D294,888 S * 3/1988 Kazanowski D6/300
4,774,790 A 10/1988 Hopper
4,987,717 A 1/1991 Dameron, Jr.
(Continued)

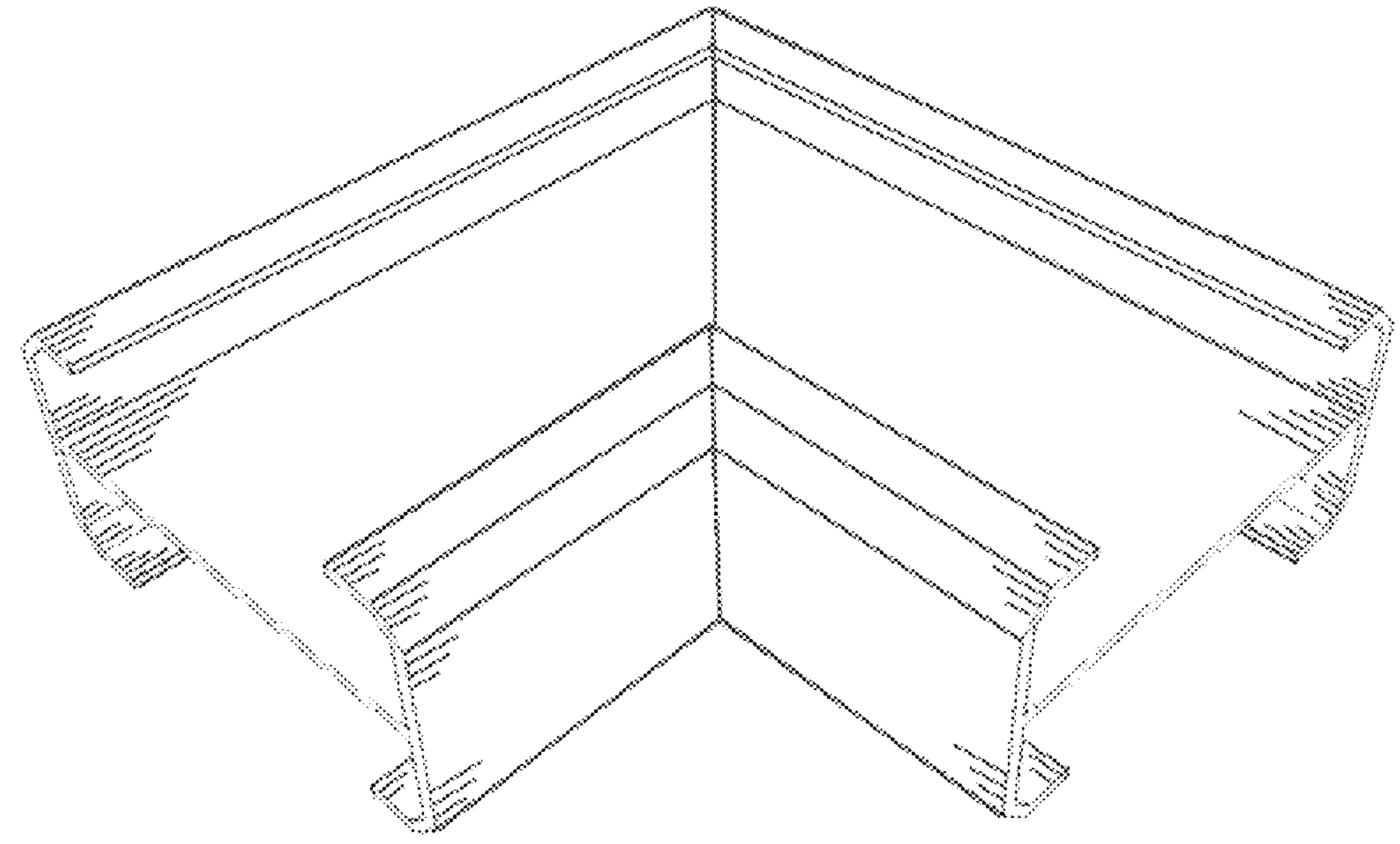
Primary Examiner — John Windmuller
(74) *Attorney, Agent, or Firm* — Jacox, Meckstroth & Jenkins

(57) **CLAIM**
The ornamental design for a corner coupler, as shown and described.

DESCRIPTION
FIG. 1 is a top perspective view of a corner key coupler in accordance with one embodiment of the invention;
FIG. 2 is a bottom perspective view of the corner key coupler of FIG. 1;
FIG. 3 is a front view of the corner key coupler of FIG. 1;
FIG. 4 is a rear or back view of the corner key coupler of FIG. 1;
FIG. 5 is a right side view of the corner key coupler of FIG. 1;
FIG. 6 is a left side view of the corner key coupler of FIG. 1;
FIG. 7 is a top view of the corner key coupler of FIG. 1; and,
FIG. 8 is a bottom view of the corner key coupler of FIG. 1.

1 Claim, 2 Drawing Sheets

(56) **References Cited**
U.S. PATENT DOCUMENTS
1,788,096 A 1/1931 Friedemann
1,997,876 A 4/1935 Sheldon et al.
3,139,960 A 7/1964 Hammitt et al.
3,143,165 A 8/1964 Lewis et al.
3,222,841 A 12/1965 Robert et al.
3,224,154 A 12/1965 Toti et al.
3,332,197 A 7/1967 Hinkle et al.
3,382,639 A 5/1968 Smith et al.
3,413,775 A 12/1968 Katz et al.
3,566,561 A 3/1971 Tozer et al.
3,686,805 A 8/1972 Pofferi
3,711,133 A 1/1973 Werner
3,726,551 A 4/1973 Levenberg
3,830,033 A 8/1974 Gahler
3,831,336 A 8/1974 Diemer



(56)

References Cited

U.S. PATENT DOCUMENTS

5,031,083	A	7/1991	Claesson	7,877,962	B2	2/2011	Teffenhart, Jr.
5,090,164	A	2/1992	Mische	7,883,288	B2	2/2011	Jorna
D343,309	S	2/1994	Flynn	D636,095	S	4/2011	Teffenhart, Jr.
D343,909	S	2/1994	Flynn	D666,743	S	9/2012	Teffenhart, Jr.
5,464,302	A	11/1995	Menchetti	D670,474	S	11/2012	Koch
D373,832	S	9/1996	Nomura	8,443,576	B2	5/2013	Petta
D374,488	S	10/1996	Wang	8,720,839	B2 *	5/2014	Lijesnic A47B 47/0033 248/300
5,590,974	A	1/1997	Yang	8,726,583	B2	5/2014	Verdecia et al.
5,813,641	A	9/1998	Baldwin	8,756,900	B1	6/2014	Hudson et al.
5,881,508	A	3/1999	Irvine et al.	D713,054	S	9/2014	Teffenhart, Jr.
D414,881	S	10/1999	Giese	D731,678	S	6/2015	Geldart
5,966,890	A	10/1999	Inman	D733,937	S	7/2015	Hillstrom et al.
5,997,117	A	12/1999	Krietzman	9,121,222	B2 *	9/2015	Walker E06B 3/9641
6,082,070	A	7/2000	Jen	D744,317	S *	12/2015	Densberger D8/354
6,092,348	A	7/2000	Dombchik et al.	9,458,619	B2	10/2016	Bowron et al.
6,357,196	B1	3/2002	McCombs	D791,342	S	7/2017	Teffenhart, Jr.
6,385,941	B1	5/2002	Power, Jr. et al.	D811,199	S *	2/2018	Bacallao D8/349
6,405,504	B1	6/2002	Richardson	9,920,534	B2	3/2018	Albert
6,430,888	B1	8/2002	Dombchik et al.	D860,058	S *	9/2019	Norfleet D12/106
6,601,362	B1	8/2003	Prince	D882,386	S *	4/2020	Zeilinger D8/394
6,647,692	B1	11/2003	Roder	2002/0046539	A1	4/2002	Schulz
6,668,495	B1	12/2003	Prince	2002/0121068	A1	9/2002	Ng
6,755,004	B1	6/2004	Power, Jr. et al.	2003/0145555	A1	8/2003	Raskin et al.
D493,235	S	7/2004	Strassle	2006/0179766	A1	8/2006	Waggoner
6,826,885	B2	12/2004	Raskin et al.	2007/0074480	A1	4/2007	Kleila et al.
D531,324	S	10/2006	Takagi	2007/0266671	A1	11/2007	Chromy
D584,621	S *	1/2009	Jean D9/456	2008/0016816	A1	1/2008	Kim
7,478,504	B2	1/2009	Huebner et al.	2008/0168738	A1	7/2008	Shelton et al.
7,568,323	B2	8/2009	Shelton et al.	2008/0250737	A1	10/2008	Hall et al.
7,628,563	B2	12/2009	Winkler	2011/0036050	A1	2/2011	Callahan
7,708,317	B2	5/2010	Leblanc	2011/0036051	A1	2/2011	Callahan
7,743,538	B2	6/2010	Parenti et al.	2011/0036052	A1	2/2011	Callahan
D620,618	S	7/2010	Teffenhart, Jr.	2011/0113717	A1	5/2011	Teffenhart, Jr.
D620,619	S	7/2010	Teffenhart, Jr.	2013/0306808	A1	11/2013	Huang
7,870,699	B2	1/2011	Waggoner	2017/0097030	A1	4/2017	Keller
				2019/0116861	A1 *	4/2019	Zeilinger A23G 3/56

* cited by examiner

FIG. 1

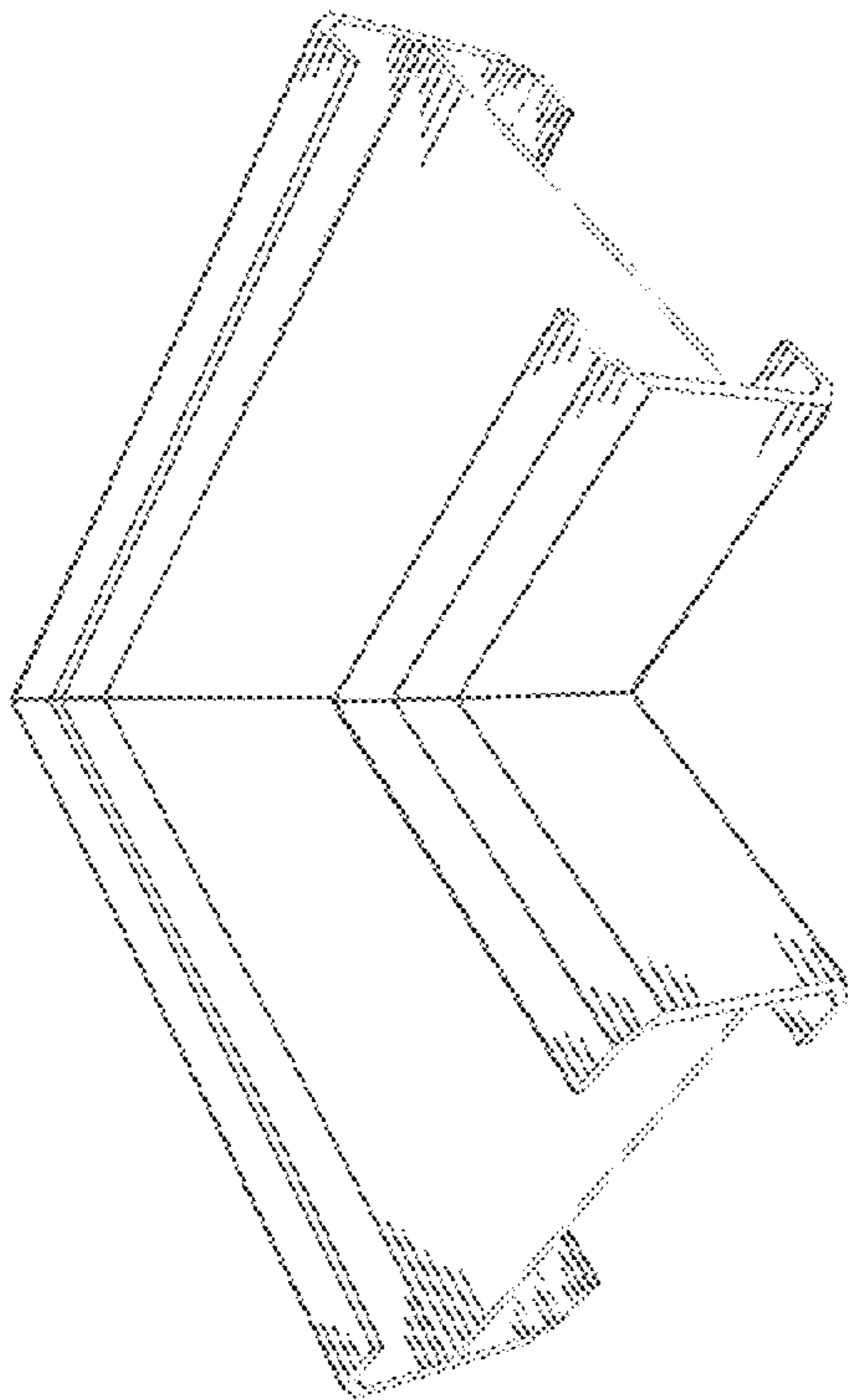


FIG. 2

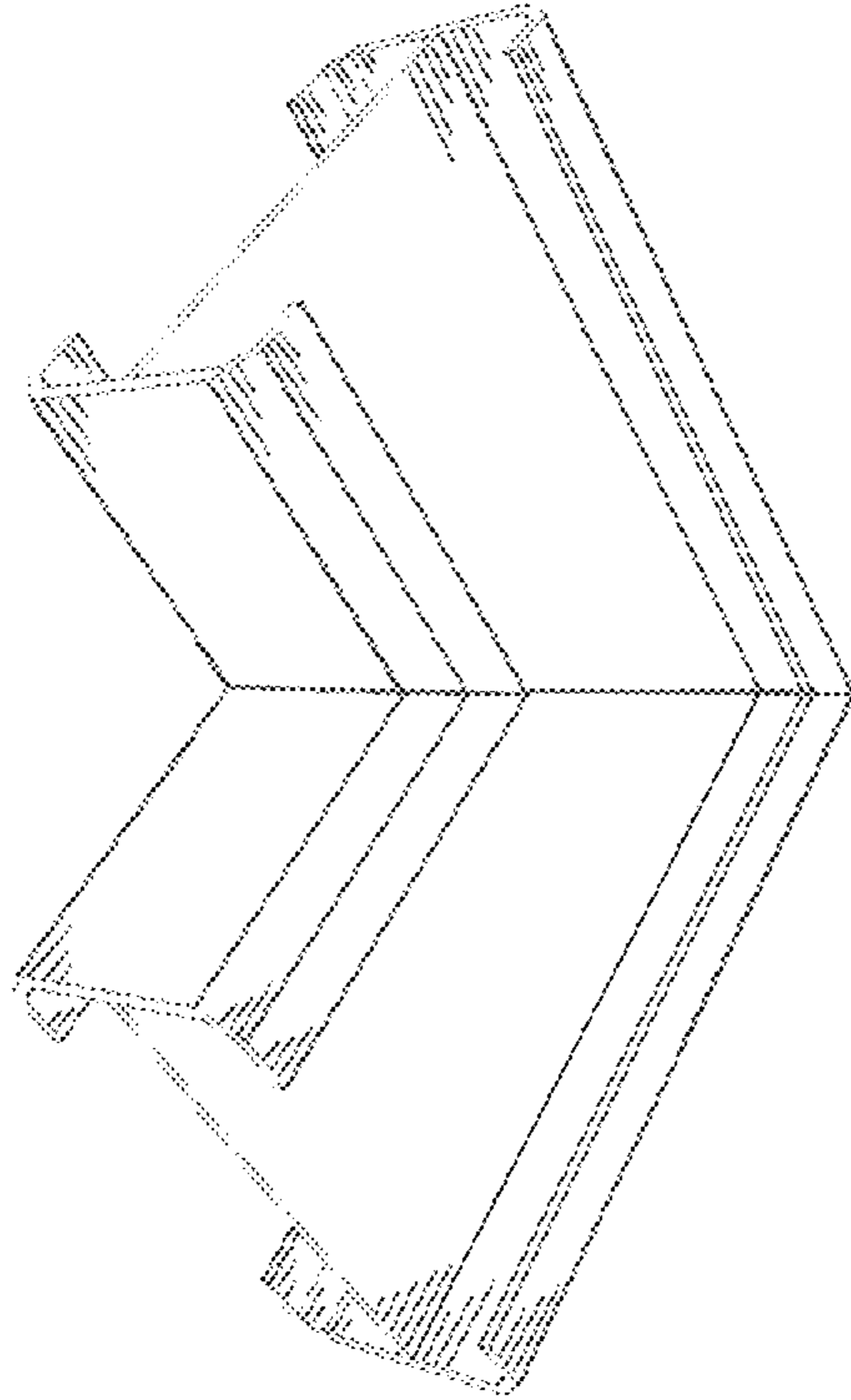


FIG. 3

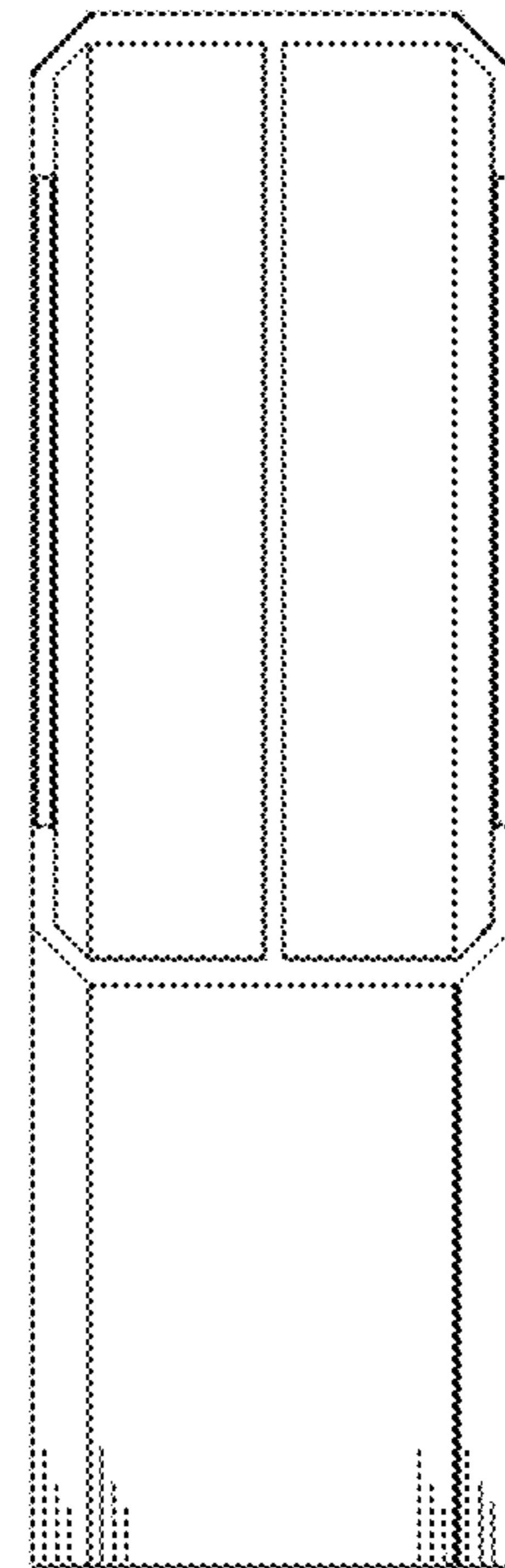


FIG. 4

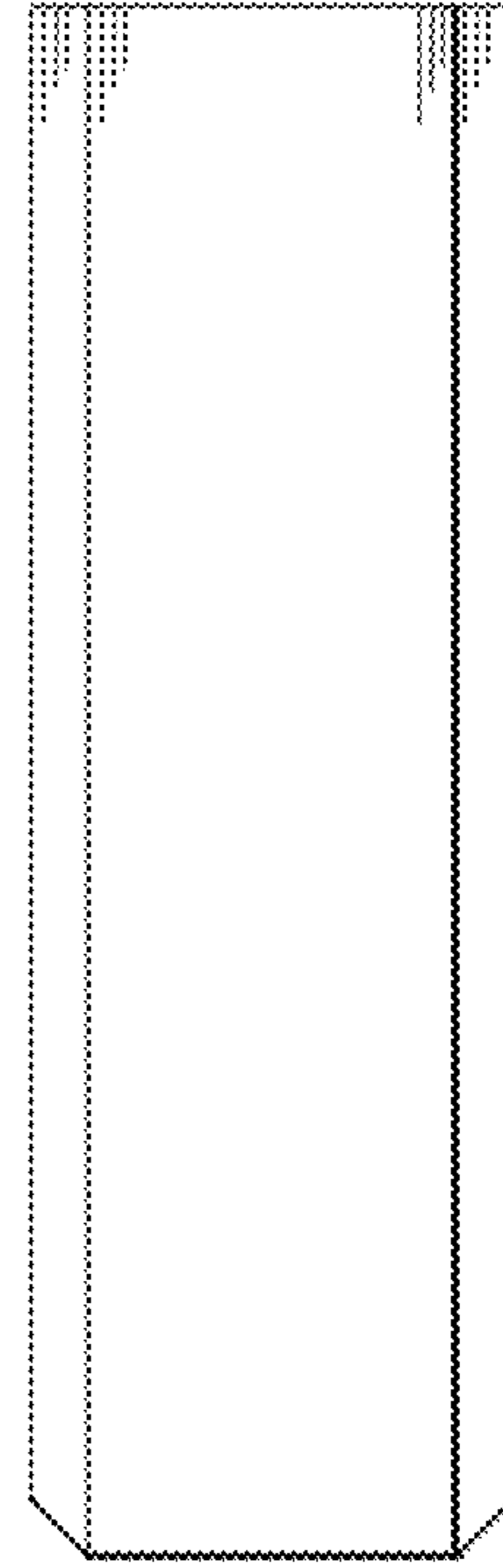


FIG. 5

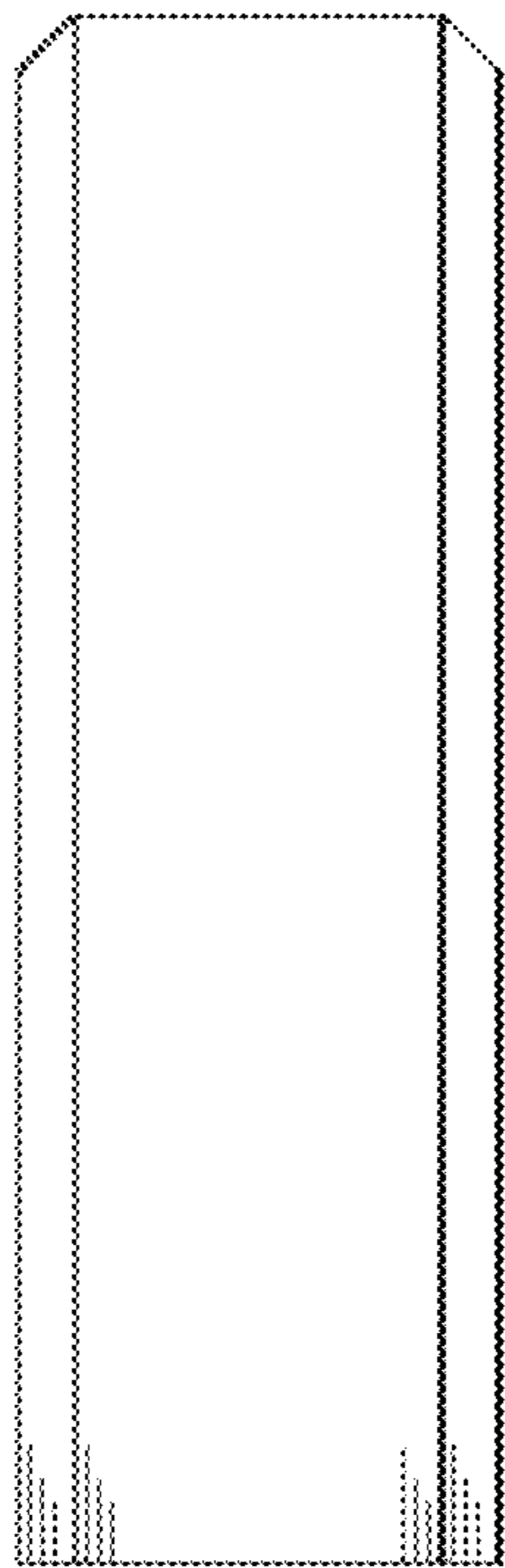


FIG. 6

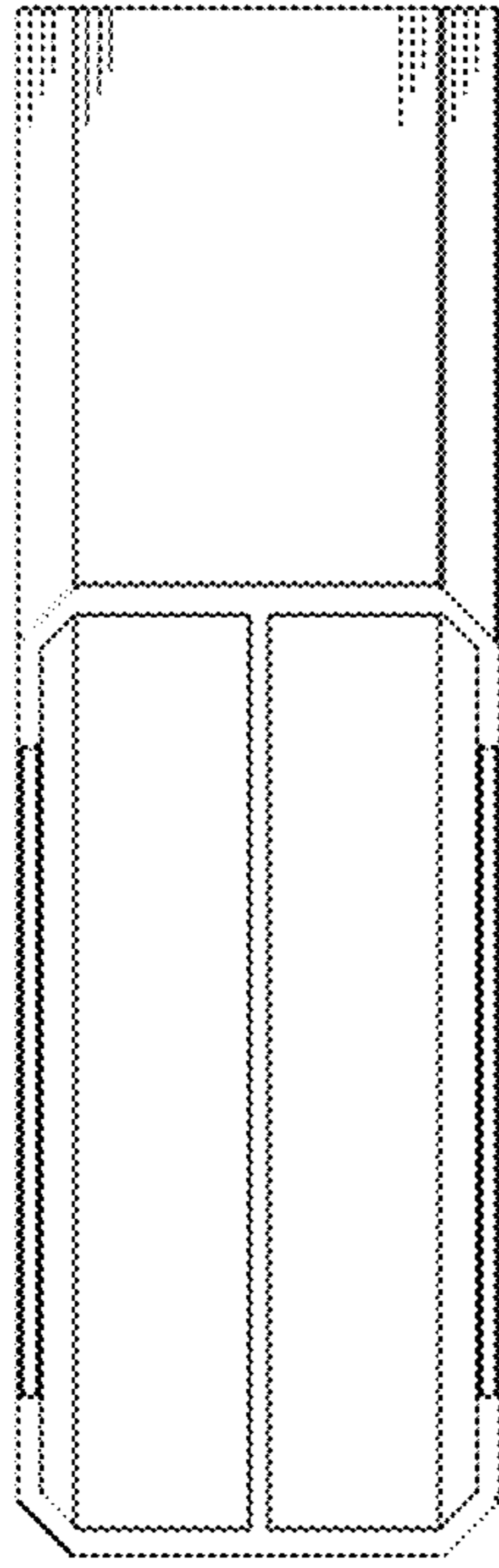


FIG. 7

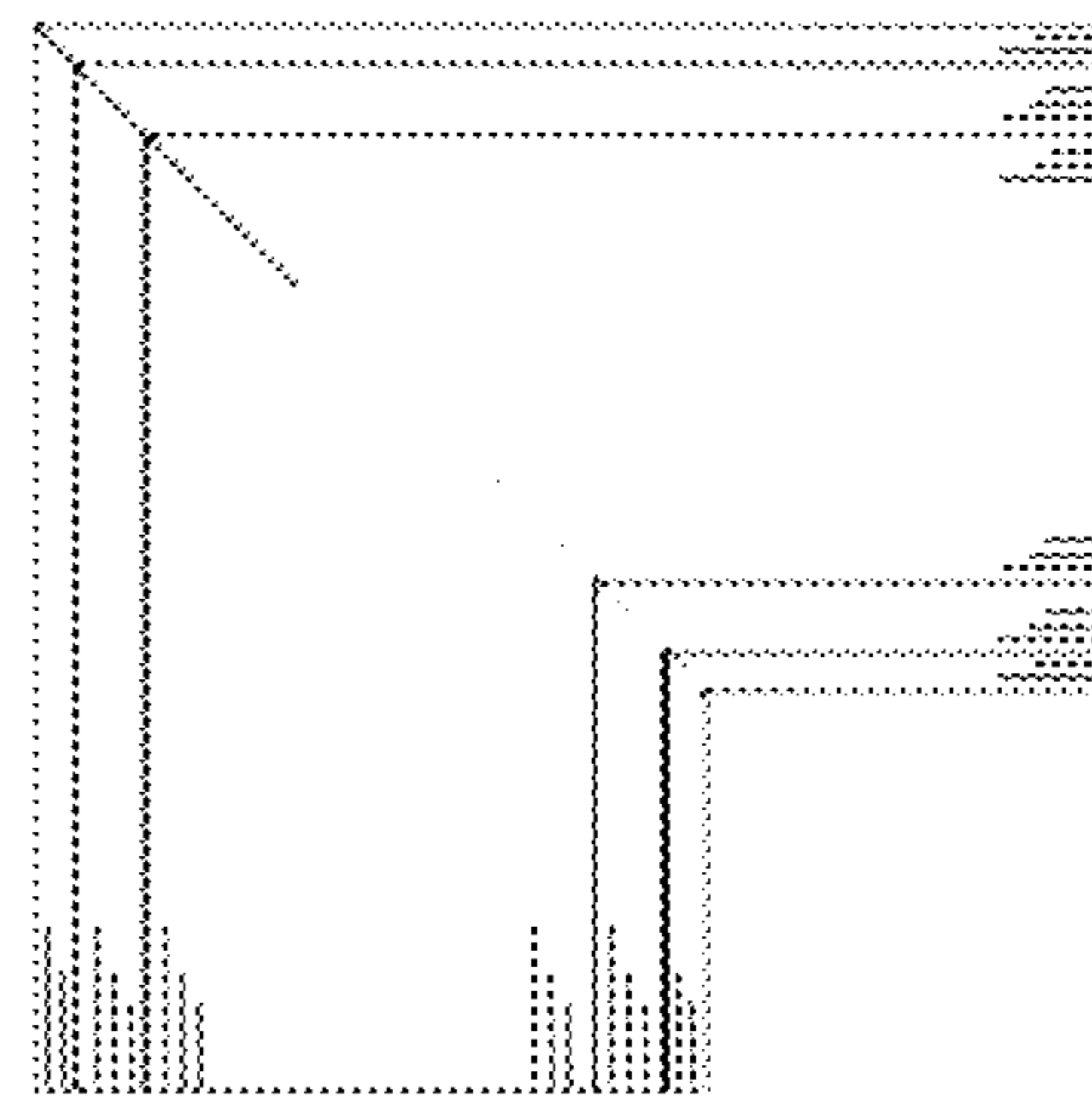


FIG. 8

